

# TS-18SW700/8A

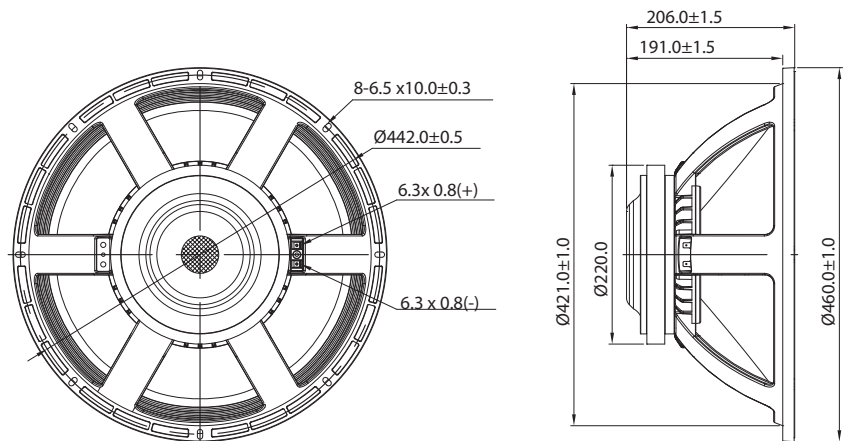
700 Watt 18" Low Frequency Loudspeaker for PA Applications



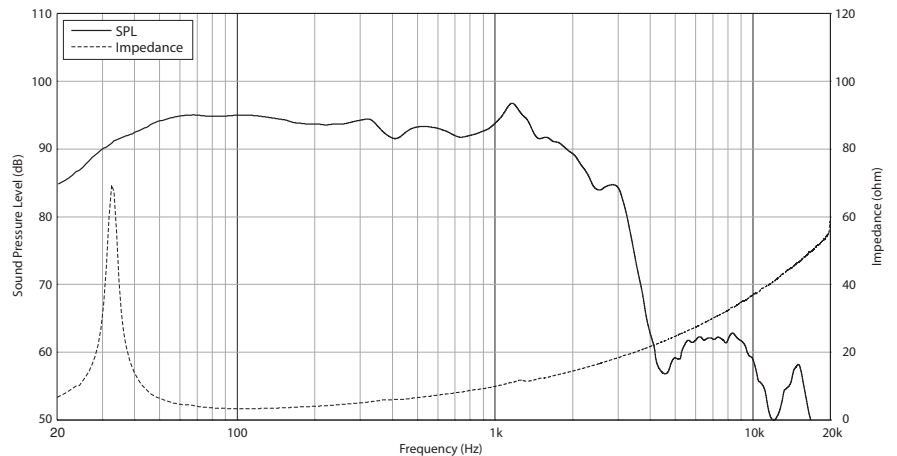
## Features

- 18" high-power woofer for PA applications
- Continuous power: 700 Watts RMS
- Maximum power: 2,800 Watts
- Impedance: 8 Ohms
- Frequency Range: 35 Hz - 3 kHz
- SPL: 96 dB (1 W / 1 m)
- Rigid aluminum die-cast frame
- Mounting hole diameter: 442 mm (17.4")
- Shipment Weight: 16.5 kg (36.3 lbs) and Net Weight: 12.8 kg (28.2 lbs)
- Overall Diameter: 460 mm (18.11")
- 3-Year Warranty Program\*
- Designed and engineered in England

## Dimensional Diagrams



## Frequency Charts



\*Warranty details can be found at [musictribe.com](http://musictribe.com).

# TS-18SW700/8A

700 Watt 18" Low Frequency Loudspeaker  
for PA Applications

## General Specification

Loudspeaker diameter	460 mm / 18"
Impedance	8 $\Omega$
Continuous power rating <sub>1</sub>	700 W
Peak power rating <sub>2</sub>	2800 W
Sensitivity	96 dB ( $\pm 2.5$ dB, 1 W / 1 m)
Frequency range	Fo ~3 kHz (-10 dB)
Magnet size	220 mm
Voice coil diameter	100.2 mm / 4"
Bobbin material	Glass black fiber
Wire type	Copper wire
Winding height	27 mm
Layers	2
Cone body	Paper
Cone surround	Cloth
Item part number	H77-00002-31675

### Notes to Specification

1 Pink noise with 6 dB crest factor for 2 hours

2 Peak power is defined as continuous power +6 dB

## Thiele & Small Parameters

Resonance frequency (Fs)	35 Hz
DC resistance (Re)	5.2 $\Omega$
Mechanical Q factor (Qms)	25.9
Electrical Q factor (Qes)	0.44
Total Q factor (Qts)	0.43
Mechanical moving mass (Mms)	185 g
Mechanical compliance (Cms)	0.11 mm/N
Force factor (Bl)	22
Equivalent acoustic volume (Vas)	250 l
Maximum linear displacement (Xmax)	7.5 mm
Diaphragm area (Sd)	1288 sq cm
Voice coil inductance @ 1 kHz (Le)	1.03 mH

## Shipping Information

Net weight	12.8 kg (28.2 lbs)
Shipping weight	16.5 kg (36.3 lbs)

## Application

This loudspeaker is exclusively meant for the reproduction of audio signals according to instructions and specifications given in this manual. We're not liable for any damage caused by unintended use.