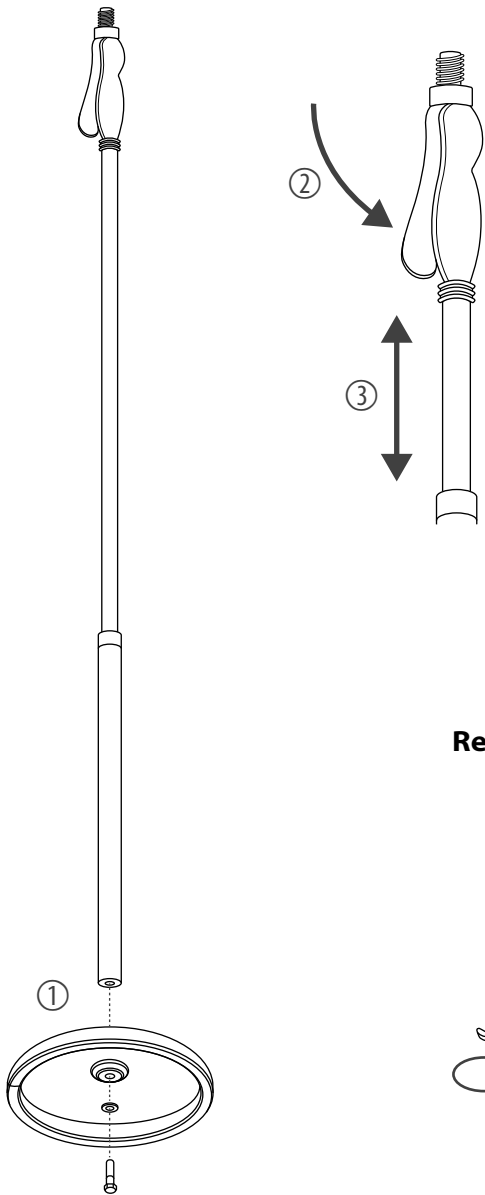
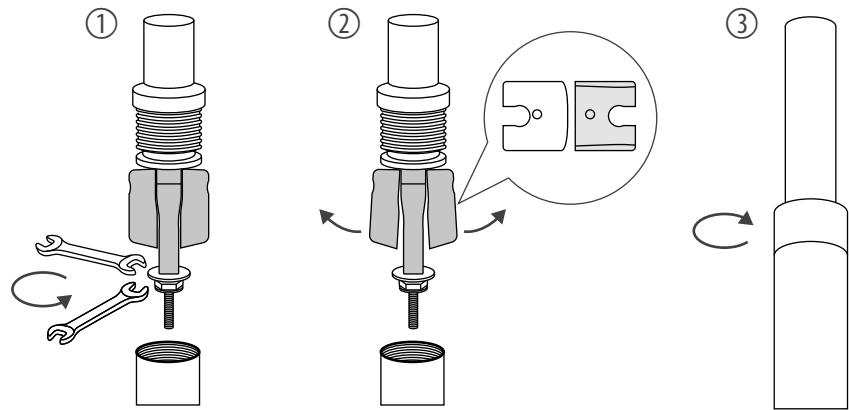


Mounting and height adjustment



- Microphone stand with round metal base
- One-hand operation
- Adjustable height from 110 cm – 150 cm
- Diameter metal base: 27 cm
- 3/8" connection thread for 5/8" microphone clamp
- Weight: 3.75 kg
- Colour: black

Readjusting the clamping force



Ensure that plastic bags, packaging, etc. are properly disposed of and are not in the reach of babies and young children. Choking hazard!

When assembling and transporting, pay attention not to drop the metal base. When transporting, hold the stand at the base tube and not at the extension tube. Risk of injury!

When the speaker stand is installed on soft or uneven ground, the microphone stand may tip over and cause injuries and property damage. Install the microphone stand only on even and solid surfaces.



When adjusting the height of the microphone stand, pay attention not to squeeze your fingers/hands.



For the packaging, environmentally friendly materials have been chosen that can be supplied to normal recycling. Ensure that plastic bags, packaging, etc. are properly disposed of. Do not just dispose of these materials with your normal household waste, but make sure that they are collected for recycling. Please follow the notes and markings on the packaging.