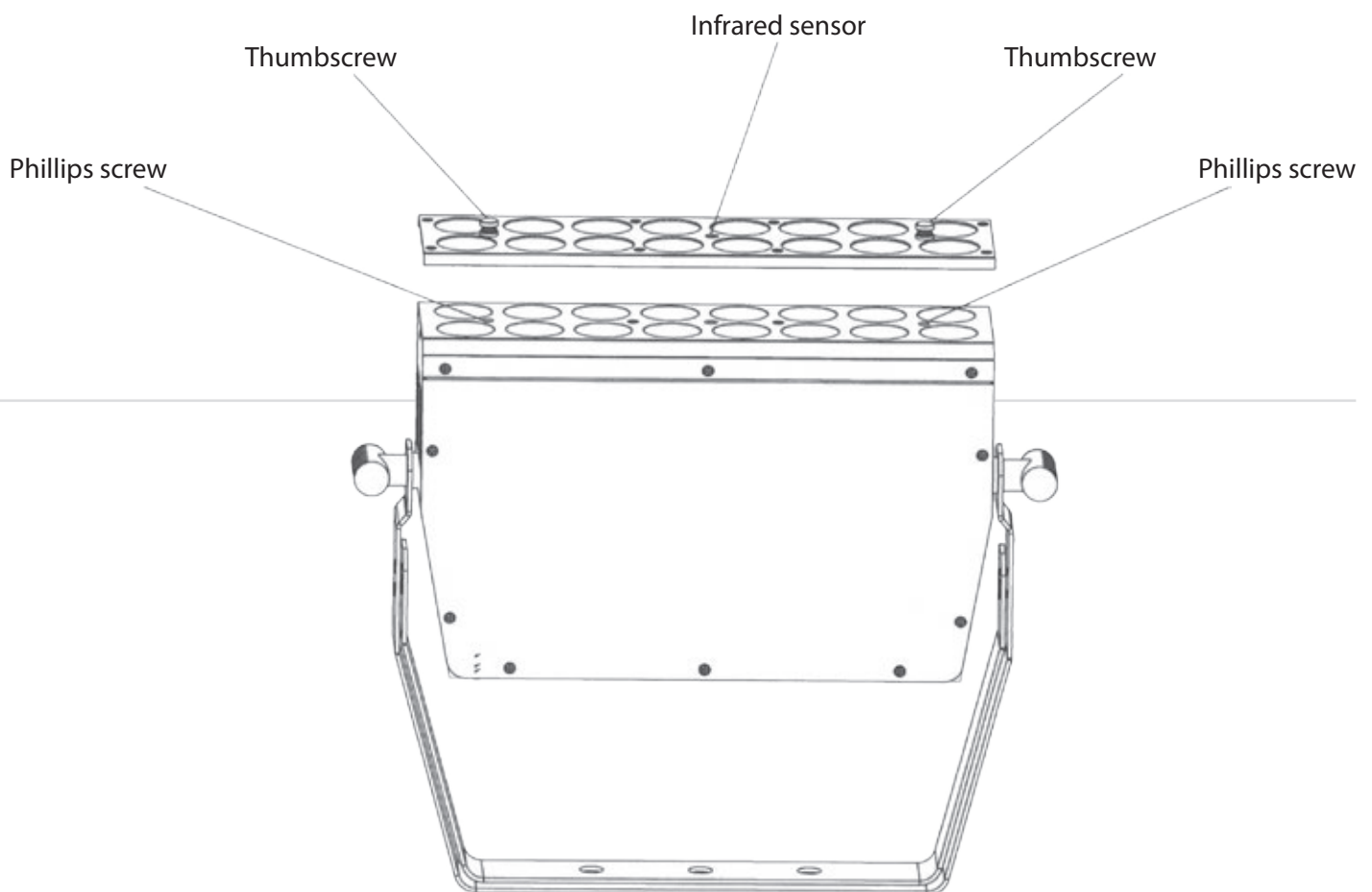



- ✓ Diffusion filter 40°
- ✓ Fits Stairville xBrick HEX #451258
- ✓ Metal bracket is screwed to the front of the housing
- ✓ Including two non-losable screws


Assembly Instructions

1. Disconnect the device from the power supply.
2. Unscrew the two Phillips screws from the device.
3. Align the diffusion filter with the threaded holes above the unit. Make sure not to cover the infrared sensor.
4. Screw the diffusion filter to the device with the two hand screws.



This device is intended to be used as a 40° diffusion filter for suitable Stairville xBrick devices. Any other use or use under other operating conditions is considered to be improper and may result in personal injury or property damage. No liability will be assumed for damages resulting from improper use.

 Ensure that plastic bags, packaging, etc. are properly disposed of and are not in the reach of babies and young children. Choking hazard! Ensure that children do not detach any small parts (e.g. knobs or the like) from the product. They could swallow the pieces and choke! Never let children use electrical devices unattended.

 For the transport and protective packaging, environmentally friendly materials have been chosen that can be supplied to normal recycling. Ensure that plastic bags, packaging, etc. are properly disposed of. Do not just dispose of these materials with your normal household waste, but make sure that they are collected for recycling. Please follow the notes and markings on the packaging.