

SOVEREIGN 15-300TC

FULL RANGE DRIVER



15" / 381 mm
CHASSIS DIAMETER

600 W
PROGRAM POWER

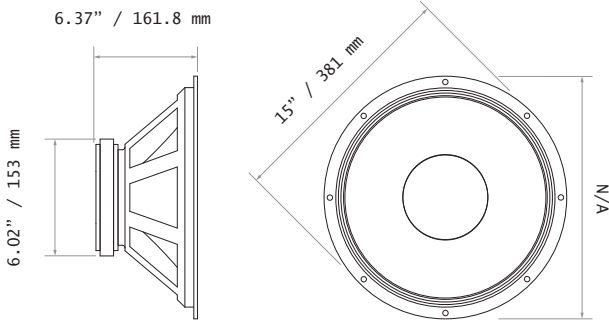
50 Hz - 15 kHz
FREQUENCY RESPONSE

2" / 50.8 mm
VOICE COIL DIAMETER

99 dB
SENSITIVITY (1W/1m)

3.5 mm Xmax
MAX. LINEAR EXCURSION

- + Triple cone configuration and geometry provides genuine, unrivalled extended frequency up to 17 kHz.
- + The finest option for full-range output in compact PA systems.
- + Superb when deployed for house of worship applications offering well defined vocal presence and clarity.
- + Optimised cone pulp offers increased strength, durability and performance.
- + 2-Inch Copper clad aluminium voice coil.



GENERAL SPECIFICATIONS

Nominal Chassis Diameter	15" / 381 mm
Nominal Impedance ⁽¹⁾	8 Ohm
Minimum Impedance Zmin	7.2 Ω
AES Power Handling ⁽²⁾	300 W (A.E.S.)
Program Power	600 W
Peak Power (6dB Crest Factor)	1200 W
Frequency Range ^(6dB)	50 Hz - 15 kHz
Sensitivity (1W/1m)	99 dB
Magnet Material	Ferrite
Magnet Weight	56 oz
Magnetic Gap Depth	0.32" / 8 mm
Flux Density	1.1 Tesla
Former Material	Kapton
Voice Coil Material	CCAW
Coil Winding Height	0.37" / 9.4 mm
Voice Coil Diameter	2" / 50.8 mm
Cone/ Dust Dome Material	Curvilinear Ribbed Paper / Paper
Surround / Edge Termination	Polyvinyl Damped Multi Roll. Poly Cotton

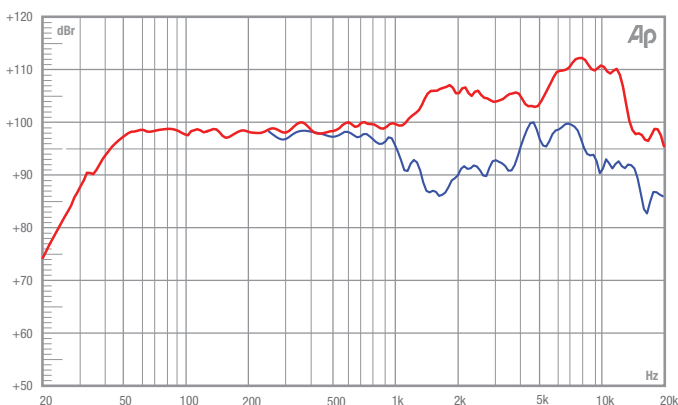
TECHNICAL & THIELE SMALL PARAMETERS

Fs	48 Hz
Re	5.2 Ω
Qms	9.892
Qes	0.753
Qts	0.7
Vas	203 Litres
Vd	0.29 Litres
Cms	0.196 mm/N
Bl	11 T/m
Mms	56 g
Xmax	3.5 mm
Sd	855 cm ²
Efficiency	2.9 %
Le (1k Hz)	0.165 mH
EBP	63.75 Hz
Effective Piston Diameter	15.03" / 381.76 mm
	75 Ltr Closed box / 80 Ltr Vented tuned to 55 Hz
Rec. Enclosure Volume	

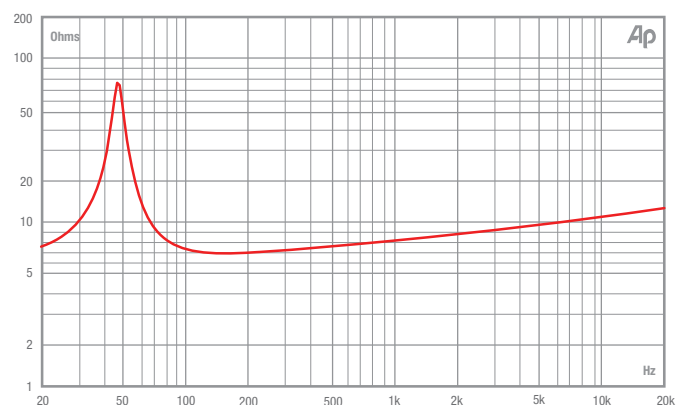
MOUNTING / SHIPPING INFORMATION

Overall Diameter	15" / 381 mm
Width Across Flats	N/A
Depth	6.37" / 161.8 mm
Flange Height	0.35" / 8.89 mm
Baffle Hole Diameter F/M	13.85" / 351.79 mm
Baffle Hole Diameter R/M	13.85" / 351.79 mm
Chassis Material	Pressed Steel
Gasket Supplied	Front & Rear
Outer Fixing Holes	8x ø 6.35 mm on 369.2 mm PCD
Inner Fixing Holes	N/A
Connectors ⁽⁴⁾	Solder Tag
Weight	11.03 lb / 5 kg
Shipping Weight	13.6 lb / 6.17 kg
Packing Carton Dimensions (mm)	(W) 420 (D) 420 (H) 220

FREQUENCY RESPONSE DATA⁽³⁾



IMPEDANCE



(1) Please enquire about alternative impedances.

(2) A.E.S. power handling test. Pink noise bandpass filtered at 12 dB per octave with cutoff frequencies of 55 Hz and 550 Hz. Driver mounted in free air, test signal applied at rated power for two hours.

(3) Half space response measured in a 975 Litre sealed box. Blue line = fundamental 45° off-axis. Please note that the frequency response measurements are supplied for comparison only and are not a measure of the low frequency performance which may be achieved in a fully optimised system.

(4) Positive voltage at red terminal causes forward motion of cone.