



## ENTTEC PLink (Pixel Link)

PIXEL LED STRIPS/DOTS CONTROL SYSTEM



### Features

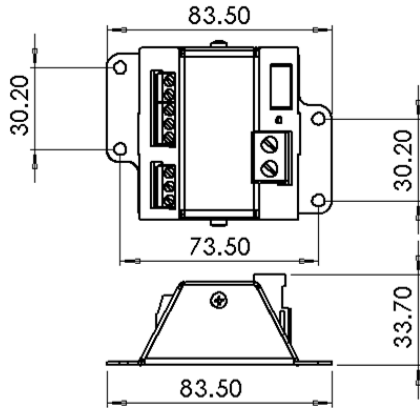
- Each PLink port can drive up to 340 RGB individual pixels (2 DMX universes)
- PLink accessories are compatible with ENTTEC PIXIE DRIVER and PIXELATOR.
- External DC power supply
- Data extensions up to 300 meters over Cat6 cable
- Injectors support RGB pixel strips based on WS2812, WS2812B and APA-104 LEDs.
- Small, light and easy to hide design
- Scalable design for large projects
- Ideal for custom shape pixel LED installations
- High power screw terminal connectors
- Easy wiring using Cat6 standard connections

### Specifications

Item	Injector (5V)	Injector (12-24V)	Pixelinker (5V)
<b>PN</b>	73546	73544	73545
Input Voltage	5V DC	12-24V DC	5V DC
Maximum Total Output Power	110 Watt	130 Watt	N/A
Maximum Output Current Per Pin (Screw Terminal)	10Amp	10Amp	N/A
Data Input	PLINK		WS2811 WS2812 WS2812b APA-104
Data Output Protocol	WS2811, WS2812, WS2812b, APA-104		PLINK
Data Output Capability Per PLink Port	340 RGB Pixels 1020 DMX channels (~2 Universes)		
Operating Temperature	-10° to 45° C		
Protection Rating	IP20		



### Mechanical



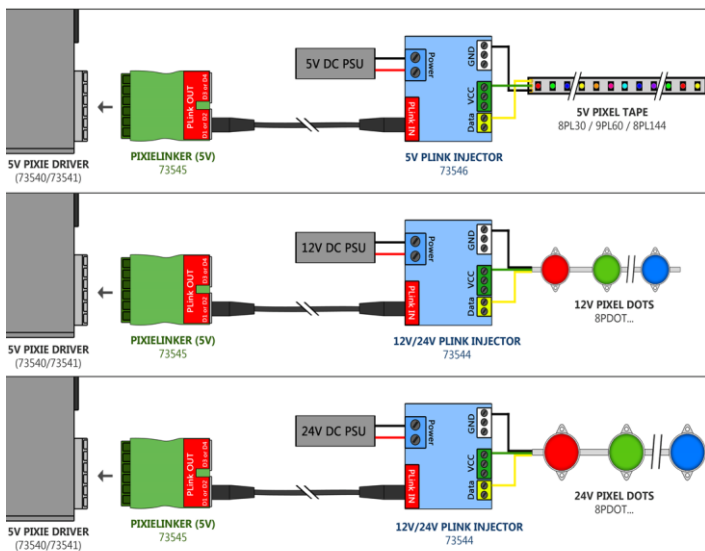
73546 & 73544

### Safety

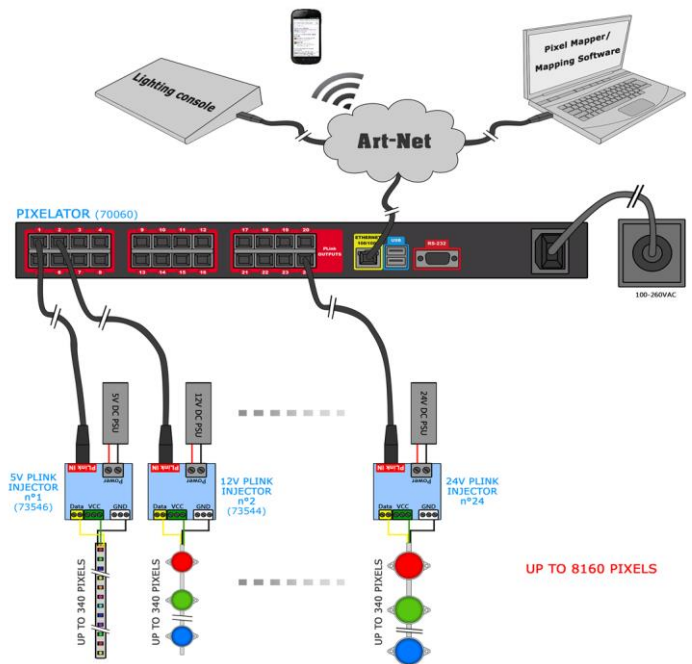
- Never plug PLink ports in to Ethernet outlets.
- Do not remove covers, there are no user serviceable parts inside.
- Make all the connections before you plug in the mains power supply.

# APPLICATION DIAGRAMS

### WITH PIXIE DRIVER



### WITH PIXELATOR



**ENTTEC PTY LTD**  
7 Macro Court  
Rowville Victoria  
3178 Australia

T: +61 3 9763 5755  
F: +61 3 9763 5688  
Email:  
sales@enttec.com

**ENTTEC AMERICAS**  
604A Cornerstone Ct.  
Hillsborough NC 27278  
USA

T: (888) 454-5922  
F: (888) 454-5922  
Email:  
sales.americas@enttec.com

**ENTTEC EUROPE**  
B23 Parkhall Business Centre  
40 Martell Road, London  
SE21 8EN  
United Kingdom

T: +44(0) 2070616210  
Email:  
sales@enttec.co.uk