

User manual

This manual contains important information on the safe operation of the device. Read and follow the safety advices and instructions given. Retain the manual for future reference. If you pass the device on to others please include this manual.

Safety instructions

Intended use

This device is used to supply phantom power to up to two AKG Series III condenser microphones and to mix two microphone signals. Any other use or use under other operating conditions is considered to be improper and may result in personal injury or property damage. No liability will be assumed for damages resulting from improper use.

Danger for children



Ensure that plastic bags, packaging, etc. are disposed of properly and are not within reach of babies and young children. Choking hazard! Ensure that children do not detach any small parts (e.g. knobs or the like) from the unit. They could swallow the pieces and choke! Never let unattended children use electrical devices.

Where to use the product

- Never use the product
- in direct sunlight
 - in conditions of extreme temperature or humidity

- in extremely dusty or dirty areas
- at locations where the unit can become wet
- near magnetic fields

Interference with other electrical equipment

Using the device near radios or TV sets may cause interference. Then increase the distance between the devices.

General handling

- To prevent damage, never use force when operating the switches and controls.
- Never immerse the appliance in water. Just wipe it with a clean dry cloth. Do not use liquid cleaners such as benzene, thinners or flammable cleaning agents.

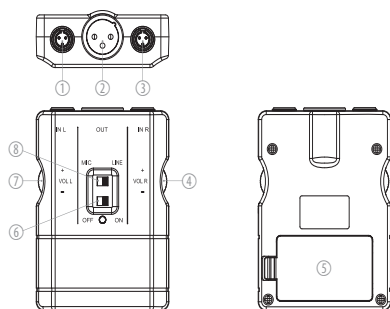
Keep foreign substances from the unit!

Keep the device away from containers with liquids. Should any liquid get into the unit, this could lead to its destruction or fire. Be sure not to let any metal objects into the unit.

Features

- 9 V battery supply
- Suitable for AKG Series III microphones with TA3F port
- Two mini XLR inputs with separate volume controls
- Lightweight and durable
- Comes with belt clip
- Up to 50 hours operating time with one battery

Operating elements



1. Left microphone input
2. Output
3. Right microphone input
4. Volume control right channel
5. Battery compartment cover
6. On / off switch
7. Volume control left channel
8. Output level switch (Mic | Line)

Using the device

1. Connect up to two suitable microphones to the microphone inputs. The signals from both inputs are mixed together in the device.
2. Connect the output of the device via an XLR cable to the desired device (mixer, recorder, or the like).
3. Adjust the output level of the device to the input of the device to which you connect the device. If that device expects microphone level set the switch to the MIC position. At a lower sensitivity of the device, set it in the LINE position.
4. Set the ON / OFF switch in the ON position to turn the device on.
5. Adjust the volume as required for each input separately with the VOL +/- controls.
6. If necessary, clamp the device with the belt clip to your clothing or equipment.
7. If the performance of the device deteriorates the battery is exhausted. In order to replace it, set the ON / OFF switch to the OFF position to turn the device off. Spread the belt clip so that its end pieces come out of the case openings and put it aside. Then remove the battery compartment cover, remove the old battery, disconnect it from the contacts, which you then connect to the fresh battery and insert it into the battery compartment. Replace the battery compartment cover and reattach the belt clip.
8. Turn the power back on.

Technical specifications

Power supply:	9 V battery, 6F22
Current draw:	max. 10 mA
Number of input channels:	2
Max. input level:	0 dBV
Input impedance:	5 k Ω
Input attenuation:	-50 dB
Phantom voltage:	55 V max.
Jitter:	typ. 200 Ω unbalanced

Max. output level:	0 dBV +/- 1 dB @ k < 1 % and battery voltage = 9 V
Gain:	Mic: 0 dB +/- 1 dB Line: 40 dB +/- 2 dB
Noise:	< 8 μ V (A-weighted?)
Frequency response:	20 Hz – 20 kHz
Dimensions (W x H x D):	91 x 26 x 66 mm
Weight:	130 g



For the transport and protective packaging, environmentally friendly materials have been chosen that can be supplied to normal recycling. Ensure that plastic bags, packaging, etc. are properly disposed of. Do not just dispose of these materials with your normal household waste, but make sure that they are collected for recycling. Please follow the notes and markings on the packaging.



This product is subject to the European Waste Electrical and Electronic Equipment Directive (WEEE) in its currently valid version. Do not dispose of your old device with your normal household waste. Dispose of this product through an approved waste disposal firm or through your local waste facility. Comply with the rules and regulations that apply in your country. If in doubt, consult your local waste disposal facility.



Batteries must not be disposed of as domestic waste or thrown into fire, but must be disposed of according to local regulations regarding hazardous waste. Use appropriate collection sites to do so.