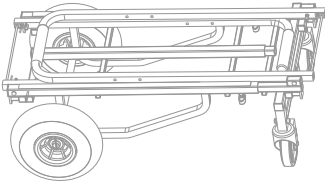
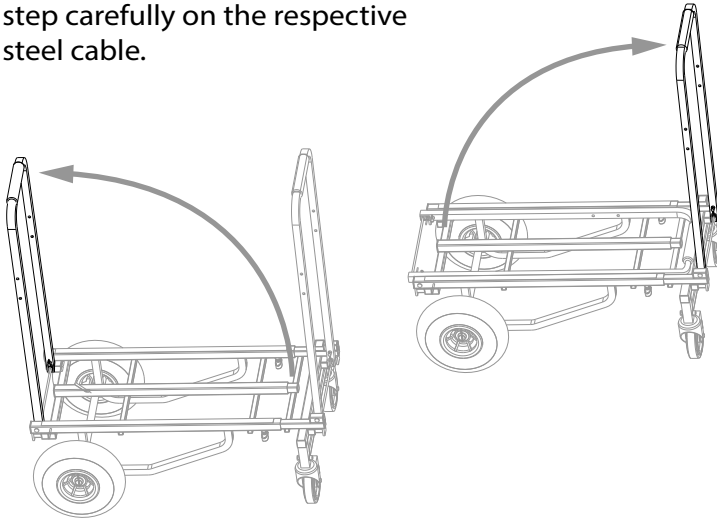


Millenium

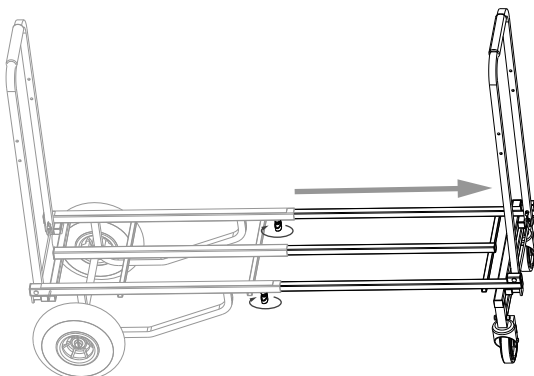
Go-Kart Truck XL



To unlock and expand the two frames, step carefully on the respective steel cable.



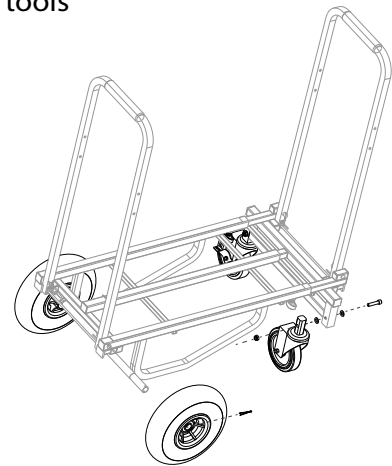
To extend the length of the loading surface, loosen the two hand screws at the bottom of the frame. Pull the steel construction out to the desired length and tighten the two hand screws again. When fully extended, the steel construction is secured automatically by a locking pin. To reduce the loading surface at full extension, unlock the steel construction by pushing the lock button on the middle brace.



Ensure that plastic wrapping, packaging, etc. is properly disposed of and kept out of reach of infants and young children. Suffocation hazard!

- Compact, folding and portable transport cart for music, DJ, light, film & TV equipment etc.
- Robust steel frame construction with light-weight no-flat wheels and castor wheels with braking mechanism
- Effective loading surface (W × L): 30 in to 52 in
- Folding arms extendable up to 41 in (height measured from ground level).
- Load-bearing capacity up to 496 lbs
- Dimensions (when folded): 20 × 12 × 35 in (W × H × L)
- Weight: 30 lbs

The tyres are secured on the axle with one retaining split-pin each. The castors are fixed to the frame with screws and can be disassembled / assembled with commercially available tools



The packaging consists of environmentally safe materials which can be recycled as usual. Ensure that plastic wrapping, packaging, etc. is properly disposed of. Do not just throw these materials out – make sure they get recycled. Follow the labels and symbols on the packaging.