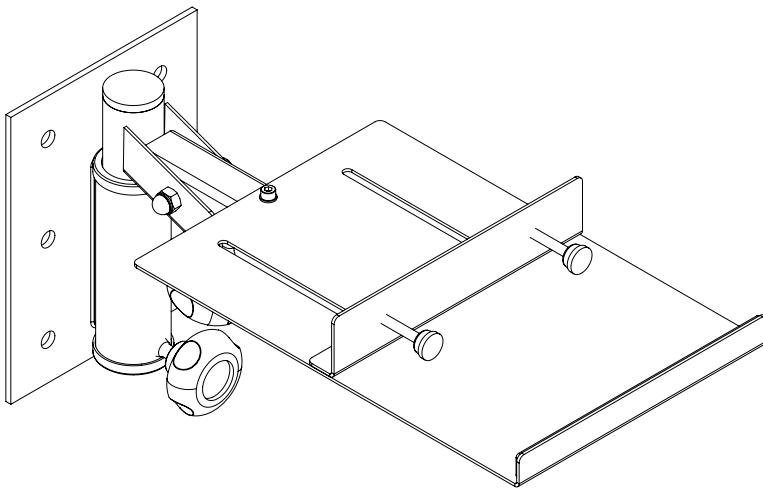


### Assembly instructions

Use six screws to attach the monitor wall mount to a sufficiently stable wall (assembly material not included in scope of delivery).



- Multi monitor wall mount
- Made of steel
- Tilt angle 0° – 20°
- Adjustable arm length
- Maximum speaker weight: 15 kg
- Base plate:
  - 150 × 200 mm (W × H)
- Maximum dimensions monitor plate with adjustable rear bracket (W × D):
  - 200 × 260 mm /
  - without bracket (W × D):
  - 200 × 296 mm
  - Front edge: 20 mm height
- Weight: 3,7 kg

Ensure that plastic wrapping, packaging, etc. is properly disposed of and kept out of reach of infants and young children. Suffocation hazard!



The packaging consists of environmentally safe materials which can be recycled as usual. Ensure that plastic wrapping, packaging, etc. is properly disposed of. Do not just throw these materials out – make sure they get recycled. Follow the labels and symbols on the packaging.