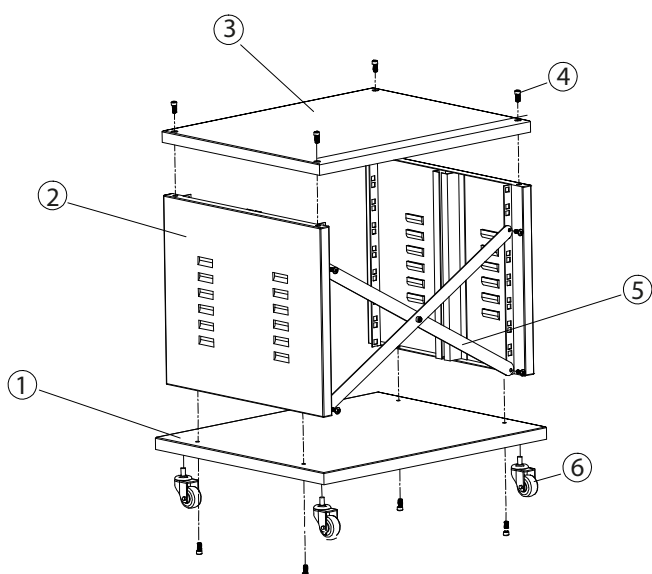

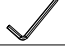





- 19" steel studio rack with wheels
- Load capacity up to 50 kg
- 12 rack units (RU)
- Heavy load brackets for mounting on both sides of the middle guide rails of the inner walls included
- Dimensions (W × H × D):  
560 mm × 480 mm × 460 mm
- Weight: 15.4 kg
- Colour: black

## Scope of delivery



Item	Number	Item	Number	
1	1		4	
2	2		1	
3	1		6	
4		8	16	
5	1	10		16



Please find a more detailed assembly guide on the product website under [www.thomann.de](http://www.thomann.de).



Ensure that plastic bags, packaging, etc. are disposed of properly and are not within reach of babies and young children. Choking hazard! Ensure that children do not detach any small parts from the product. They could swallow the pieces and choke! Never let children unattended use electrical devices.

While assembling and joining individual parts together with screws pay attention to sharp edges on tools, screws and components. Use only tools that are suitable.



The plasticiser contained in the rubber feet of this product may possibly react with the coating of your parquet, linoleum, laminate or PVC floor and after some time cause permanent dark stains. In case of doubt, do not put the rubber feet directly on the floor, but use felt-pad floor protectors or a carpet.



For the transport and protective packaging, environmentally friendly materials have been chosen that can be supplied to normal recycling. Ensure that plastic bags, packaging, etc. are properly disposed of. Do not just dispose of these materials with your normal household waste, but make sure that they are collected for recycling. Please follow the notes and markings on the packaging.