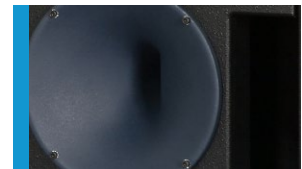




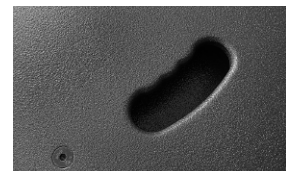
The A 6 dp is a top class multifunctional high powered loudspeaker system. The integrated digital amplifier technology provides 2 x 500 Watt and DSP control. A range of factory-configured presets and volume settings can be selected. The A 6 dp is as equally well suited to use as a full range / high mid PA loudspeaker as it is to monitor applications. The rotatable 1" DPC (= Dual Pattern Control) horn maintains its 90° x 60° dispersion over a wide frequency range. Multiple M8 and M10 mounting points provide for simple installation.

PRODUCT SPECIFICATIONS

Speaker Components	12" Nd / 1" Nd
Description	Multi Purpose Sound System
Amp Power	2 x 500 W AES biamped / 110-230 V
Rated Current	0,55 A @ 230 V
SPL <small>Peak @ 1 m</small>	128 dB
Max. Input Signal	25 dBu
DSP	HDLM FPGA Processing 32 bit floating point
AD / DA	24 bit / 96 kHz
Latency	0,8 ms (analog in to analog out)
Usable Range <small>- 6 dB</small>	50 Hz - 20 kHz
Tuning Frequency <small>excursion minimum</small>	60 Hz
X - Overpoint <small>acoustical</small>	Depends on preset
Coverage <small>horizontal / vertical</small>	90° x 60° - rotatable
Max. Splay Angle	- - -
Connectors	Neutrik XLR in/out Neutrik PowerCon in/out
Handles	1 x
Rigging / Fittings	2 x M10 / 7 x M8 35 mm pole mount
Weight	16,8 kg
Size <small>height x width x depth</small>	60,6 x 36,0 x 34,0 cm
Order No.	00260/dp



The cellulose diaphragm of the 1" driver ensures silky smooth HF reproduction.

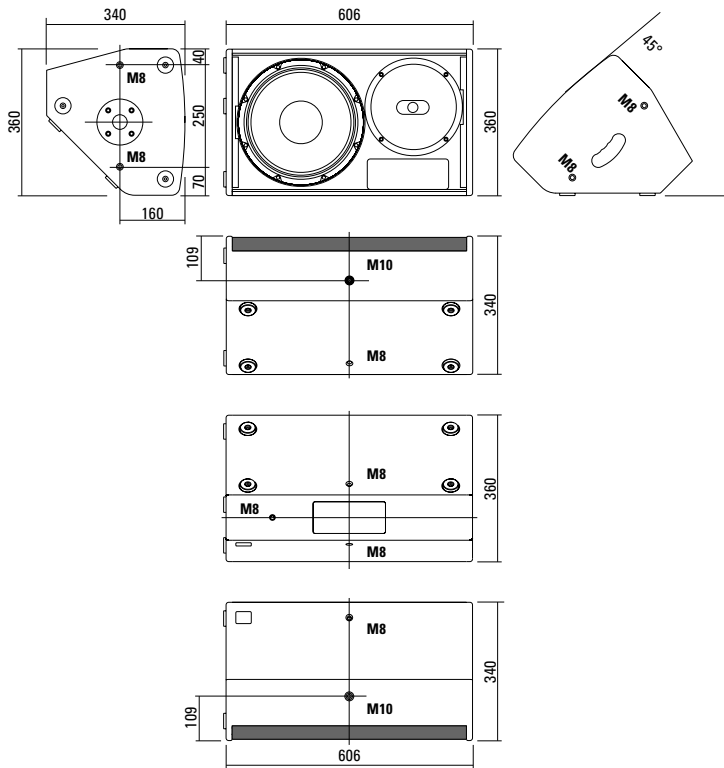


Ergonomic handle on top.



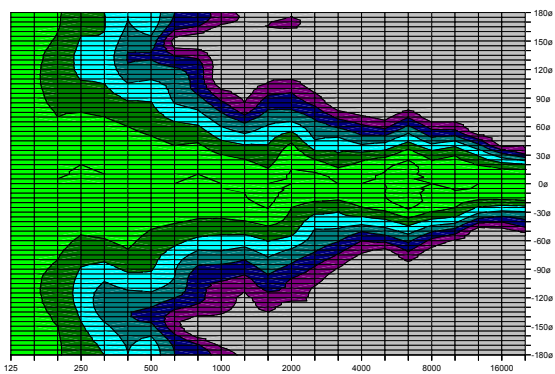
Neodym 12" Loudspeaker with water resistant diaphragm coating.

DIMENSIONS

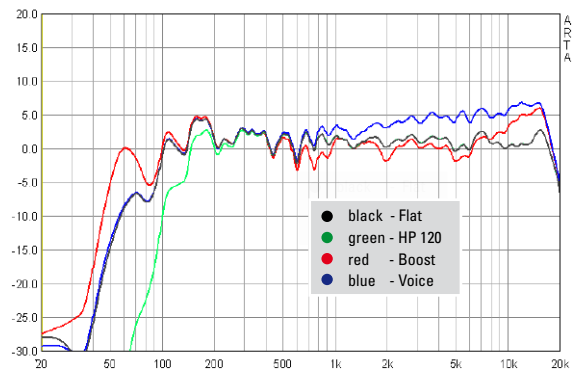


COVERAGE PATTERNS

2D Directivity Plot - 90°x 60°horizontal



Presets - Frequency Response



The A 6 dp features integrated digital amplifier electronics with a DSP controller. Various factory-configured presets and volume settings can be selected.

High-grade electronic components from the industrial sector and a first-class circuit design ensure excellent audio quality

with low distortion and a minimal noise floor.

Highly efficient and “intelligent” limiter systems ensure optimum protection against overload, without restricting the possibilities offered by this high-performance sound system.

Level

Adjustment in 3 dB steps (-6 dB to +3 dB).

Status

Mute LED

Red light when the system is muted or under technically critical conditions.

Limit LED

Yellow light when the limiter is restricting the level.

Signal LED

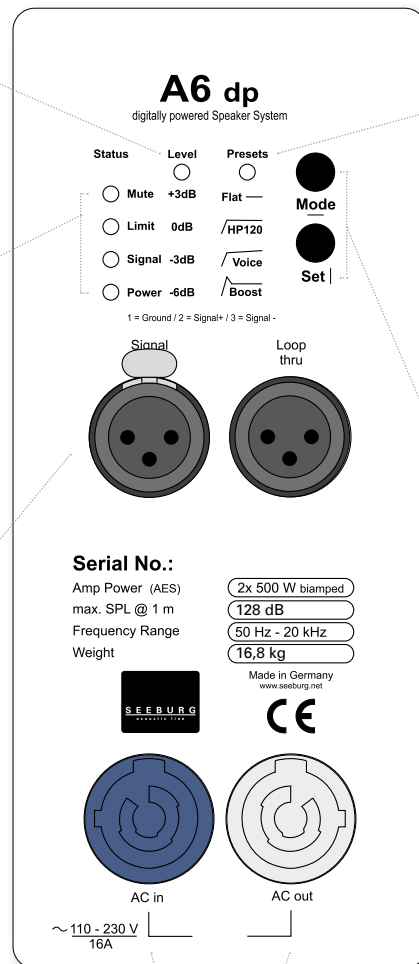
Green light when the input signal exceeds -20 dBu

Power LED

Green light when the system is switched on.

XLR

Symmetrical analog input max. Input +25 dBu. Effective filter protection against HF interference and DC Voltages. Electronically balanced to prevent noise.



Presets

Flat

This setting provides a linear frequency response with a neutral sound characteristics. Standard setting for many applications.

HP 120 (high pass filter)

Activates a high pass filter (cut-off frequency 120 Hz) for use in combination with a subwoofer

Voice

Optimises the frequency response in the mid and high frequency range for improved speech intelligibility.

Boost

The same neutral response as the „Flat“ setting, but with the addition of a bass boost.

Mode - key

Switches between control modes: Status, Level and Presets.

Set - key

Setting of various values and Mute on / off.

PowerCon (blue)

Power supply ~ 110-230 V / 16 A max.

PowerCon (grey)

~ 110-230 V / 16 A max. loop through connector.

Flying Bracket



for A 6 / A6 dp / TSM 12
incl. screws
(per unit: 2 pcs. M10 x 30 adjustable
handle screws)
Order No. **01216/set**

Flying Bracket



for A 6 / A6 dp / TSM 12
horizontal alignment, incl. screws
(per unit: 2 pcs. adapters, M10 hex
lock nuts, flat- and rubber washers)
Order No. **01216/H/set**

Handle Screw



for flying brackets, adjustable
M10 x 30
Order No. **08375/30**

Ergostyle Lobe Knob



for flying brackets, M10 x20,
with grip, adjustable
Order No. **08171**

Flange



for flying brackets,
35 mm Ø → M10,
Order No. **08126**

Rubber Washer



for flying brackets,
40 mm
Order No. **01205**

Doughty Trigger Clamp



for flying brackets,
SWL 200 kg
Order No. **01222**

Steel Safety Cable



4 mm - 50 cm
Order No. **01376**

Chain Fastener



VBS 7 mm
Order No. **01378**

Ring Screw



M10– DIN 580,
black zinced
Order No. **73700**

TV Spigot



10 mm internal thread,
28 mm Ø
Order No. **08128**

ACCESSORIES A 6 dp

Wall Mount



for U-brackets, 40 kg max., incl. screws (M10 x 70 mm socket head screw, M10 hex lock nut and flat washer)

for 8"-12" speakers

Order No. **08130/F/269**

Wall Mount



with tilt unit, 40 kg max.

Order No. **08130**

Speaker Stand



Incl. wind up, 50 kg max., height 129 to 204 cm, K&M

Order No. **03011**

50 kg max., K&M

Order No. **03010**

Front Grille



for A 6, front grille version, foam behind

Order No. **97010/hex/compl.**

Hybrid Cable System



PowerCon-PowerCon / XLR-XLR

2,5 m Order No. **08462**

5 m Order No. **08464**

10 m Order No. **08466**

15 m Order No. **08468**

Cover



for A 6 / A6 dp / TSM 12, padded

Order No. **01244**

Rain Cover



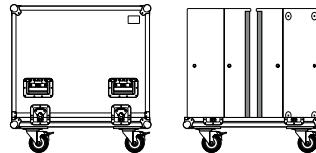
for A 6 / A6 dp / TSM 12

Order No. **01244/outdoor**

Flight Case

für 2 pcs. A 6 / TSM 12 / heavy duty, 6,5 mm birch multiplex, PVC coated, ball corners, 6 pcs recessed sprung handles, 4 pcs. butterfly catches, 100 mm blue wheels, 2 pcs. with brake, interior lined with felt.

Order No. **16010**



Front grille version.