

## Mb212

### Installation Kit

- Mounting kit for D12 speakers
- Versatile design allows the speaker to be aimed at any angle from wall or ceiling
- Provides a rigid frame for flying one or two speakers
- Creates arrays of two to six speakers when used with the Mb312 Horizontal Array Kit

### Description

The Mb212 installation kit consists of a U-bracket, two M8 x 1.25 hex-head bolts, four lock washers, two friction pads, and two 3/8-24 hex-head bolts (see Chart 1). The kit is designed to accommodate the System D12 installation in a variety of ways.

### Wall or Ceiling Mounting:

The robust design of the Mb212 installation bracket allows the System D12 speakers to be mounted in almost any position to obtain the desired sound coverage (see Figure 3).  
(Horizontal Array Kits.)

### Flying Installations

The Mb212 bracket “captures” the speaker in a rigid frame which has structurally sound locations for attaching rigging hardware. These attachment points are four 12.7-mm (1/2-in.) diameter holes located on the ends of the bracket. A 3/8-in. “quick link” (or similar hardware) can be readily connected to each attachment point. System D12 speakers can be flown individually in either a horizontal or vertical position, or two speakers can be flown together in a vertical position (see Figures 4 and 5).

### System D12 Horizontal Arrays

Arrays of two to six speakers are securely supported in a frame comprised of Mb212 and Mb312 brackets. To create a horizontal array, two Mb212 brackets are simply locked into the correct alignment position using the brackets from the Mb312 Horizontal Array Kit (see Figure 6). The array is extended by using one additional Mb212 bracket and one Mb312 kit for each additional speaker. To complete the circle for a six speaker array, one additional Mb312 kit is required. Please refer to Chart 2 to select the exact number of each kit needed, based on desired array size. (Note: refer to Mb312 Horizontal Array Kit engineering data sheet for detailed instructions on System D12 horizontal array construction using Mb212 Installation and Mb312

CHART 1: Mb212 Installation Kit Parts List

Item	Description	Quantity	Part Number
A	Bracket	1	71914
B	M8 x 1.25 hex head bolt	2	63310
C	5/16 split ring lock washer	2	38144
D	3/8-24 hex head bolt	2	63311
E	3/8 split ring lock washer	2	38834
F	Friction washer	2	38829

CHART 2:

Kit Requirements for System D12 Horizontal Array Construction

# of Enclosures in Array:	# of Kits Req'd	
	Mb212	Mb312
2	2	1
3	3	2
4	4	3
5	5	4
6 (complete circle)	6	6

## Wall Mounting Instructions

CAUTION: Due to the weight of System D12 speakers, it is imperative that the Mb212 bracket be properly secured to the wall or ceiling. The choice of fastener (not provided with this kit) will be determined by the material and construction of the mounting surface.

1. Refer to Figure 1 for the following steps.
2. Remove the paper backing from one of the friction pads (F) and, making sure the holes are aligned, attach to the U-bracket (A) as shown. Attach the second friction pad in a similar manner.
3. Attach the U-bracket to the wall or ceiling using fasteners (not supplied) that are suitable for the construction material.
4. Remove the hole plugs from the ends of the System D12 speaker by gently prying with a small screwdriver.
5. Place one of the smaller lock washers (C) on each of the two M8 bolts (B).
6. Place the speaker into the U-bracket and finger tighten the M8 bolts.
7. Rotate the speaker so that the input panel is accessible and attach the wires to the input panel.
8. Position the speaker for the desired coverage and gently tighten the M8 bolts until the speaker will no longer rotate.

### DO NOT OVERTIGHTEN.

Note: The 3/8-24 bolts (D) are used to lock the speaker parallel to the bracket and prevent it from being rotated. This is needed when arraying the speaker for proper alignment and when flying in the vertical position.

## Mb212 SPECIFICATION GRAPHICS

FIGURE 1 —Attaching Mb212 Bracketto System D12 Speaker (exploded view)

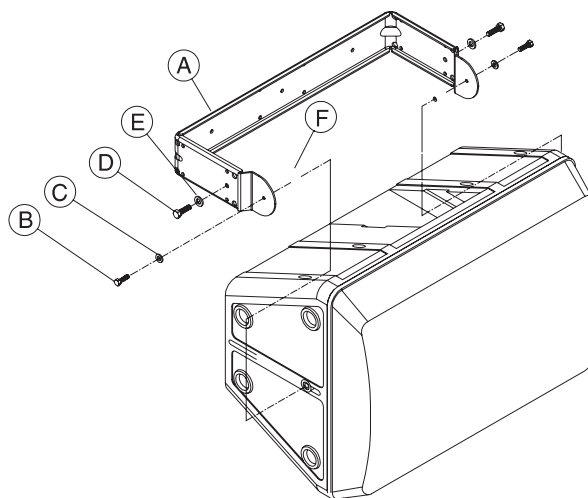


FIGURE 2 —Mb212 Installation Kit Dimensions

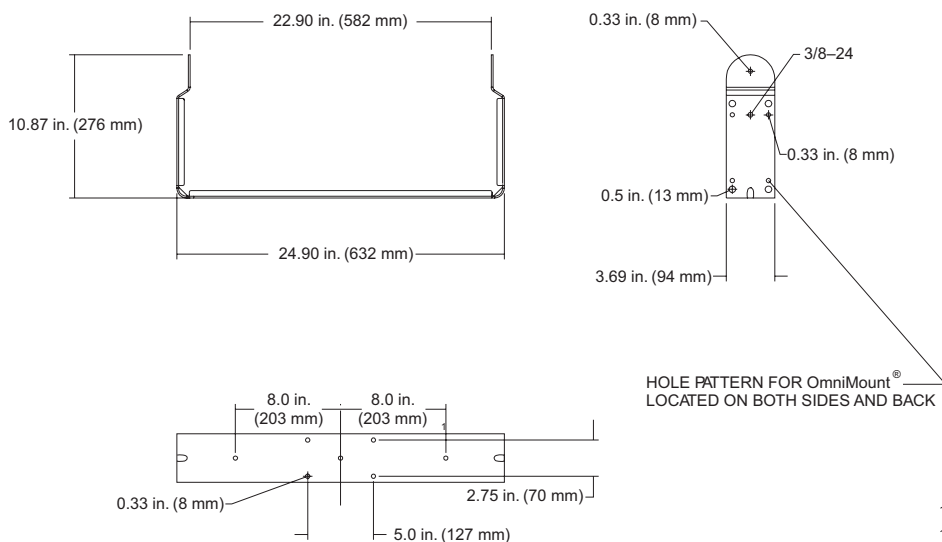
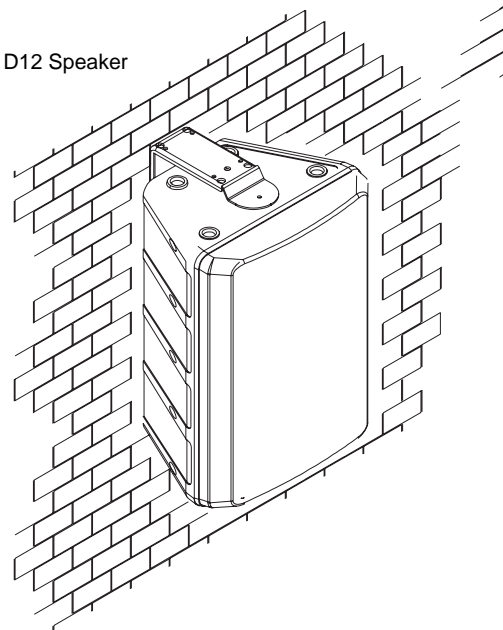


FIGURE 3 —Wall-Mounting a System D12 Speaker Using the Mb212 Installation Kit



## Flying Instructions

NOTE: A maximum of two speakers can be suspended together vertically using the Mb212 installation bracket. 1. Refer to Figure 1 for the following steps. 2. Remove the paper backing from one of the friction pads (F) and, making sure the holes are aligned, attach to the U-bracket (A) as shown. Attach the second friction pad in a similar manner.

FIGURE 4A —Correct and Incorrect Eyebolt Orientation

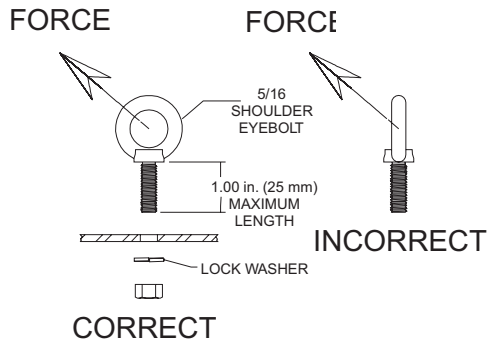


FIGURE 4B —Horizontal Suspension of a System D12 Speaker Using Mb212 Installation Kit (side view)

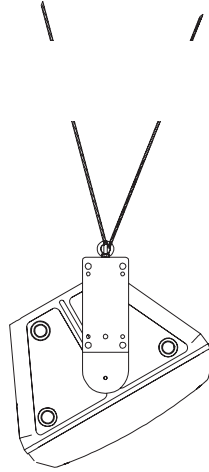


FIGURE 4C —Horizontal Suspension of a System D12 Speaker Using Mb212 Installation Kit (isometric view)

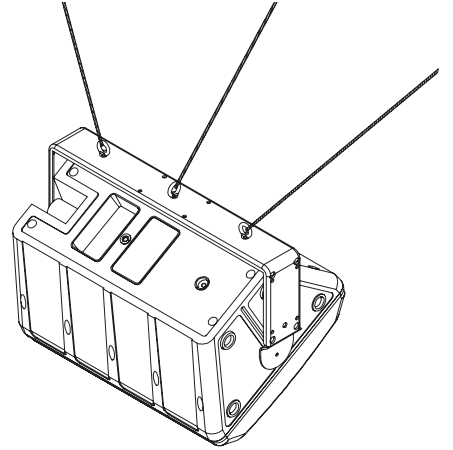


FIGURE 5A —Vertical Suspension of a System D12 Speaker Using Mb212 Installation Kit

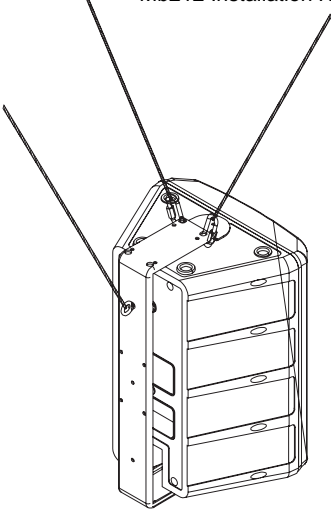


FIGURE 5B —Vertical Suspension of Two System D12 Speakers Using Mb212 Installation Kit

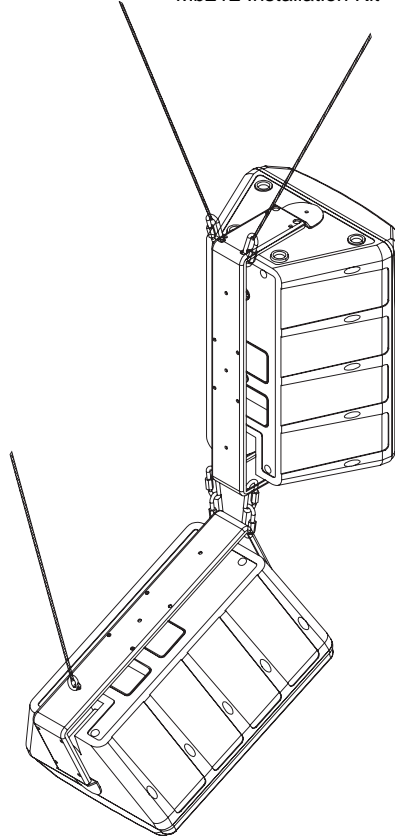


FIGURE 6A —Frame Structure for Horizontal Array in Position for Assembly (comprised of Mb212 and Mb312 brackets)

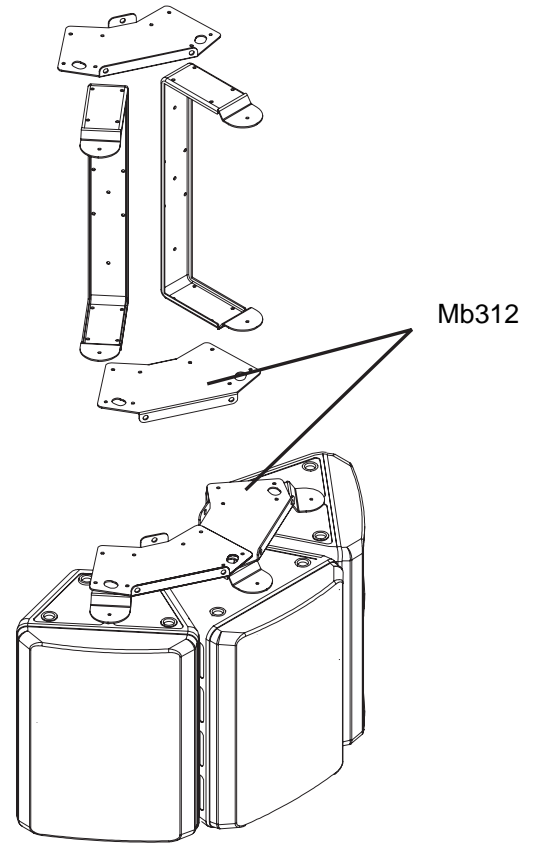


FIGURE 6B —System D12 Horizontal Array (assembled)

**WARNING:** Suspending any object is potentially dangerous and should be attempted only by individuals who have a thorough knowledge of the techniques and regulations of rigging objects overhead. Dynacord sanctions suspending the System D12 speakers only when all current national, federal, state and local regulations are taken into account. When the System D12 speaker is suspended, Dynacord strongly recommends that system be inspected at least once a year. If any sign of weakness is detected, corrective actions should be taken immediately.

## **Specifications:**

### **Wall Mounting Holes:**

Three 8-mm (5/16-in.) diameter holes  
spaced 20.3cm (8.0 in.) apart  
(see Figure 2)

### **Enclosure Mounting Holes:**

Two 8-mm (5/16-in.) diameter holes,  
top and bottom

### **Material:**

10-gauge cold-rolled steel

### **Finish:**

Black wrinkle powdered coatNet

### **Weight:**

3.40 kg (7.50 lb)

### **Shipping Weight:**

3.83 kg (8.44 lb)