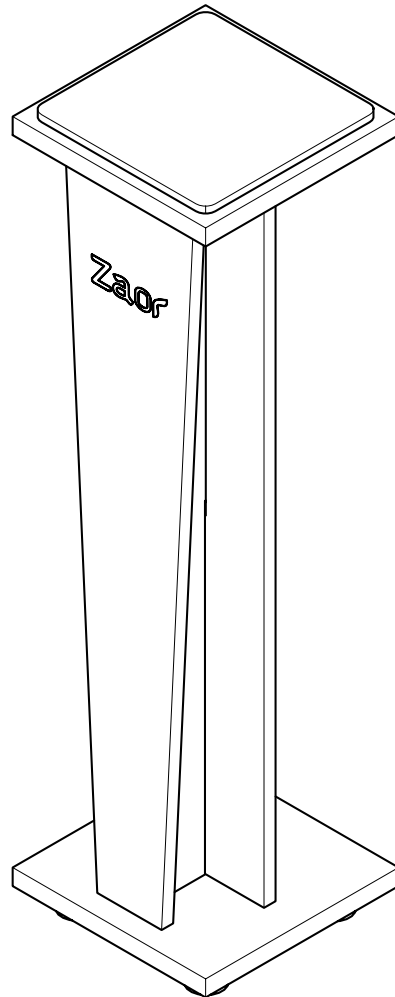


Assembly Manual



Miza Croce-Stand

Assembly Manual

Thank you for choosing a piece of Zaor studio furniture,
which will hopefully make your life easier, more ergonomic and improve the looks of your workspace.

Before you can enjoy the comfort of your new acquisition you need to assemble it.

We have tried to give you as much detail as needed and as little as possible.

Should you run into any difficulty with this assembly you can get in touch with us via sales@zaorstudiofurniture.com to set up a Skype session or phone call.

Here is a general instruction on how to use the furniture assembly kits:

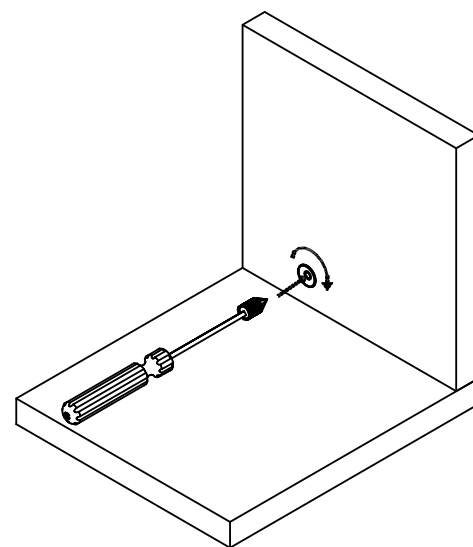
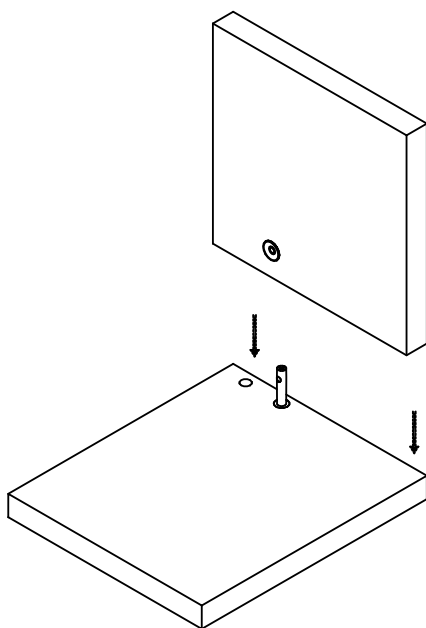
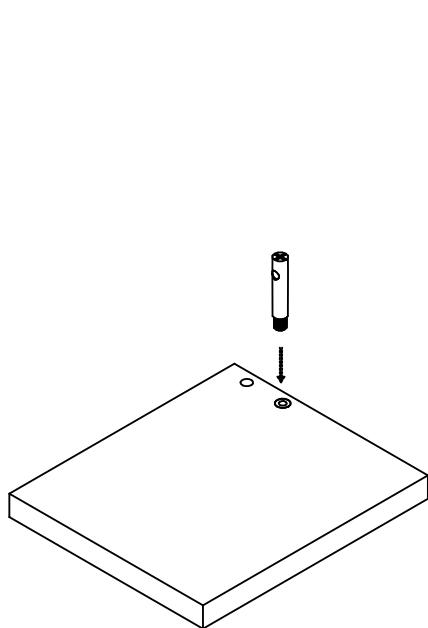
- 1) Insert and screw in the system bolt(s) into the socket(s) already present on the part(s) making sure the hole is at 90° from the edge
- 2) Assemble the connecting parts, inserting the bolts into the smaller holes in the connecting part, the bolt tip fitting into the side hole of the excenter until the hole in the bolt and the center hole of the excenter align
- 3) insert the locking screw into the excenter, and tighten with a cross screw driver all the way without using force!



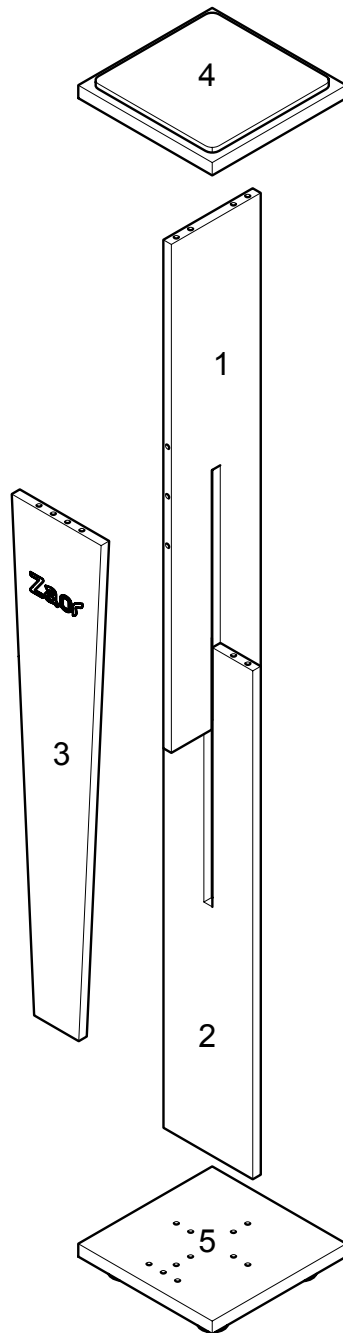
System bolt with hole



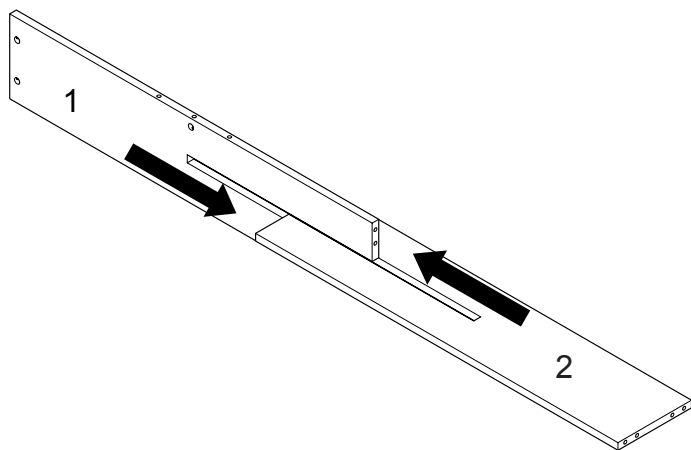
Locking screws



Assembly Manual

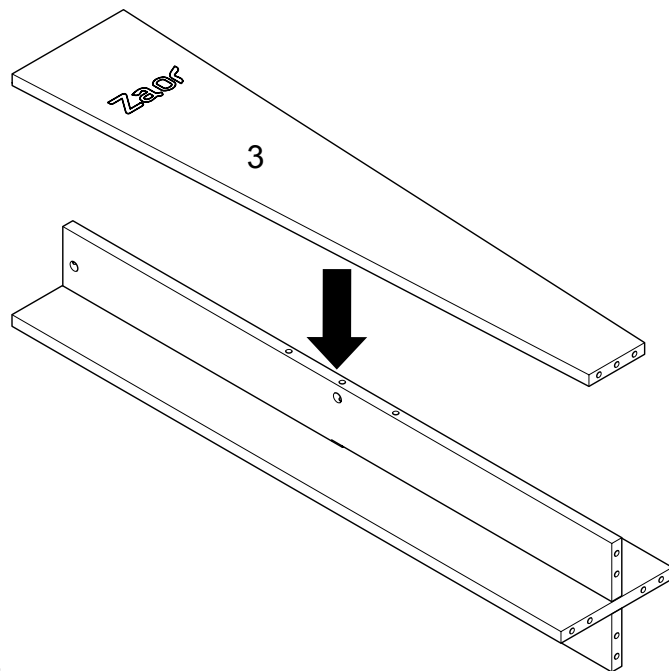


Assembly Manual



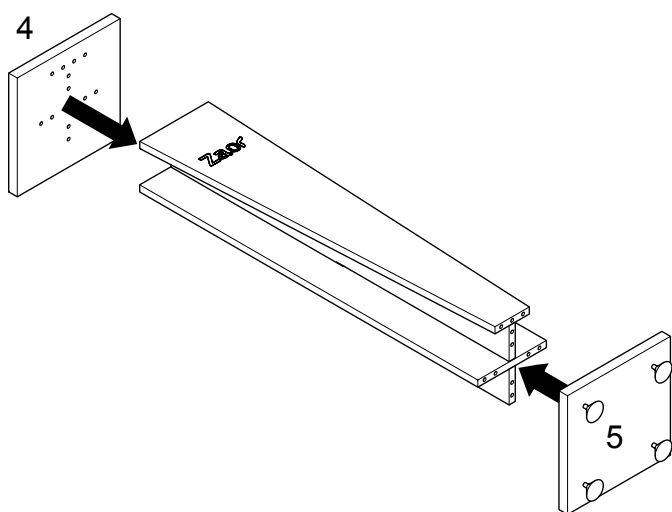
Step 1

Join part no.1 with part no.2, laying them flat on the ground.



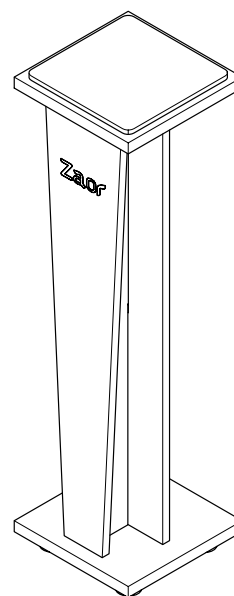
Step 2

Add system bolt to part no.3, then join it with part no.1, using the provided locking screw.



Step 3

Add system bolts to part no.4, then join it with the rest of the assembly, using the locking screws. Fix part no.5 with the provided M6x 40 screws, from underneath.



Step 4

Set the stand upright. It is ready for use.

Assembly Manual

Materials used:

- laminated particle board;
- solid wood
- metal hardware:

PACKING LIST

- 5 wood parts;
- 4 M6x40 screws;
- 5 assembly kits.

Instructions for use and cleaning

- clean with a soft cloth, slightly humid or specific products for wood or lacquer;
- avoid the use of abrasive cleaners!