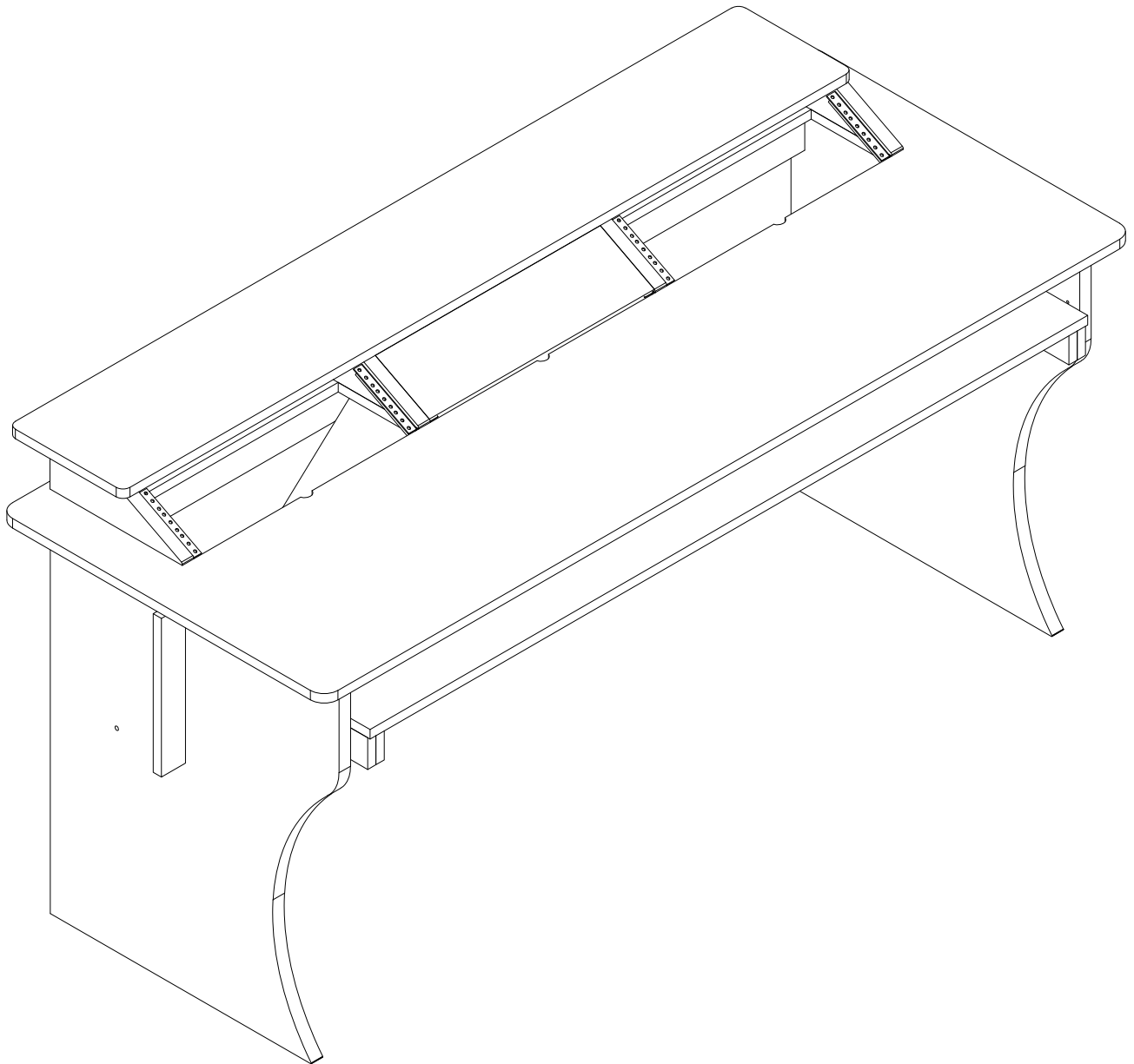
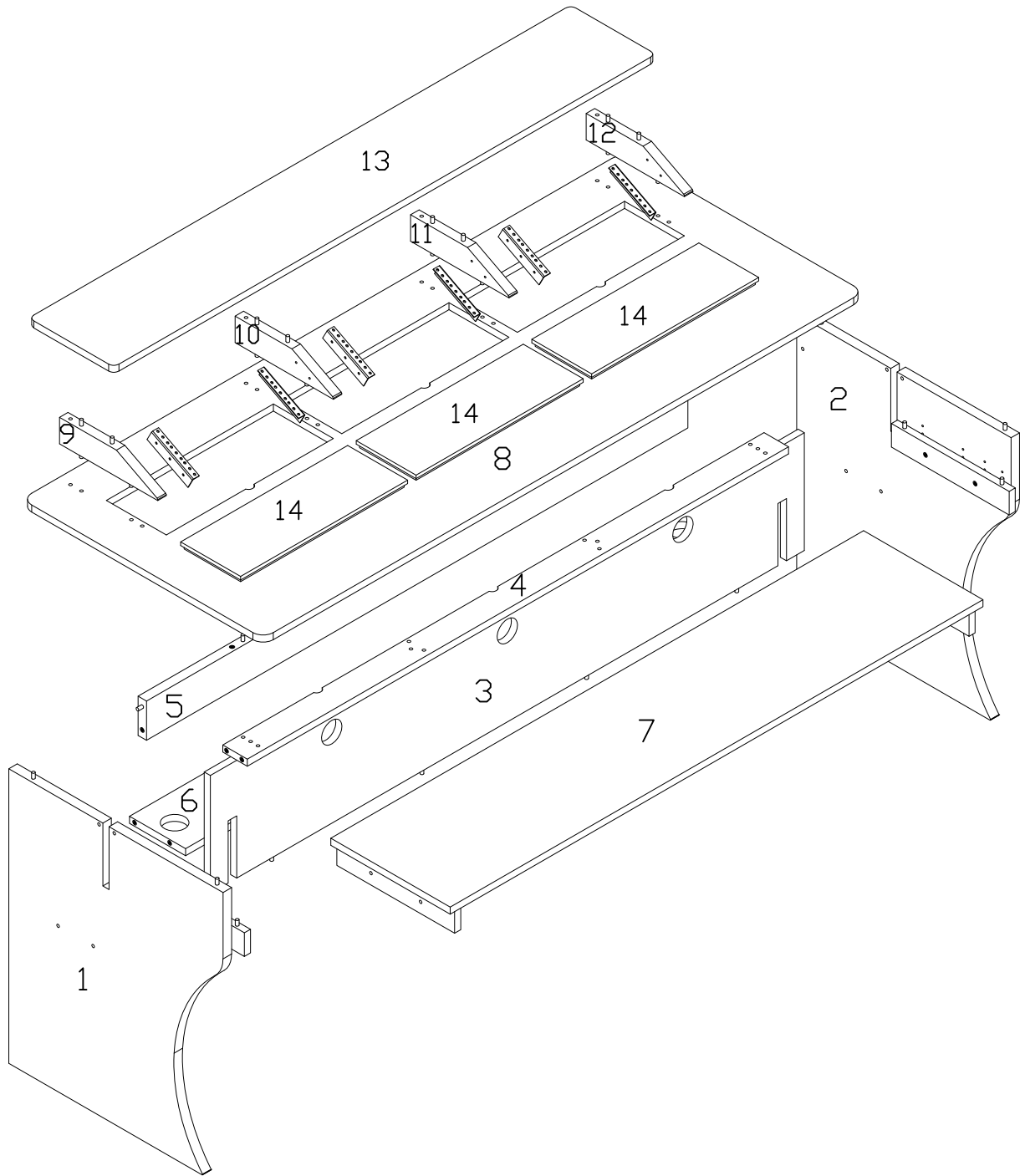


ComboDesk

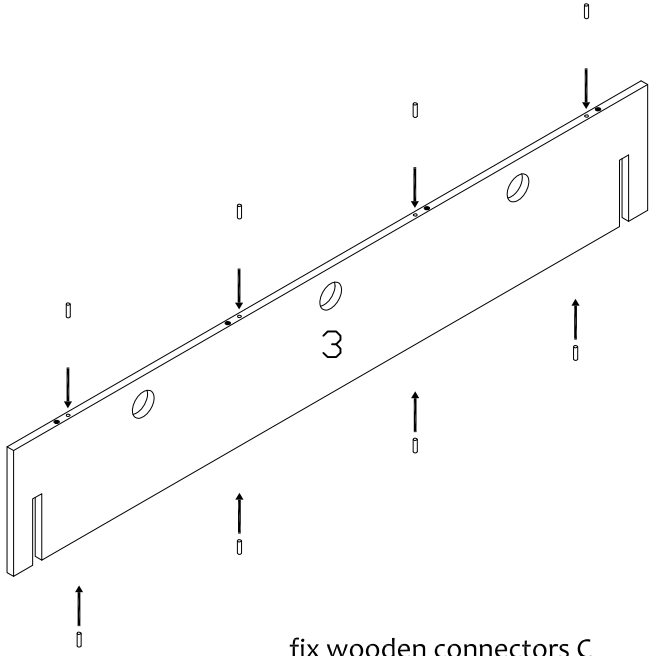


COMBO 88 DESK Assembly Manual

ComboDesk

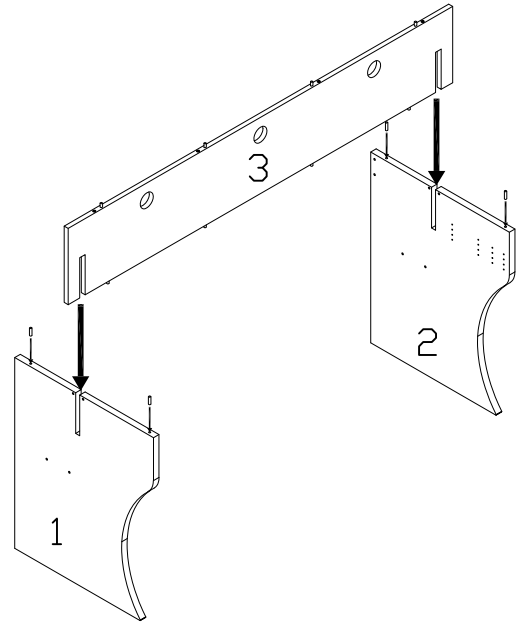


ComboDesk



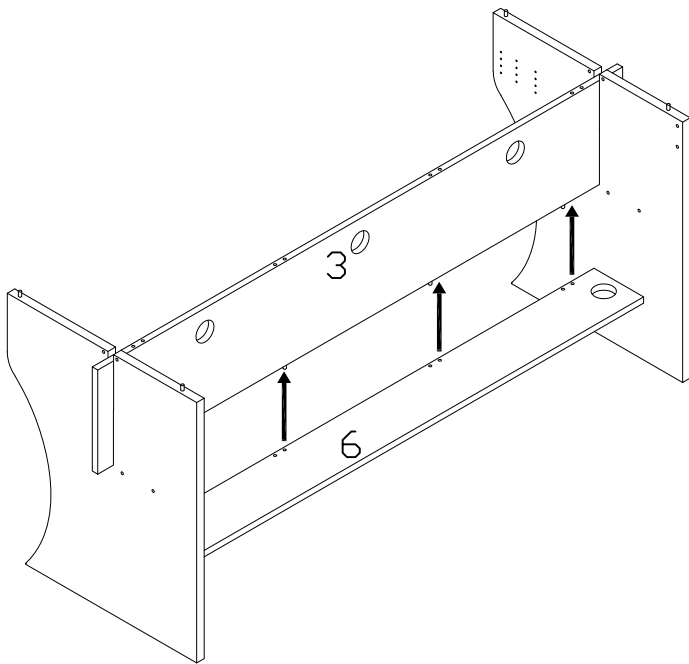
fix wooden connectors C
in the appropriate holes

STEP 1

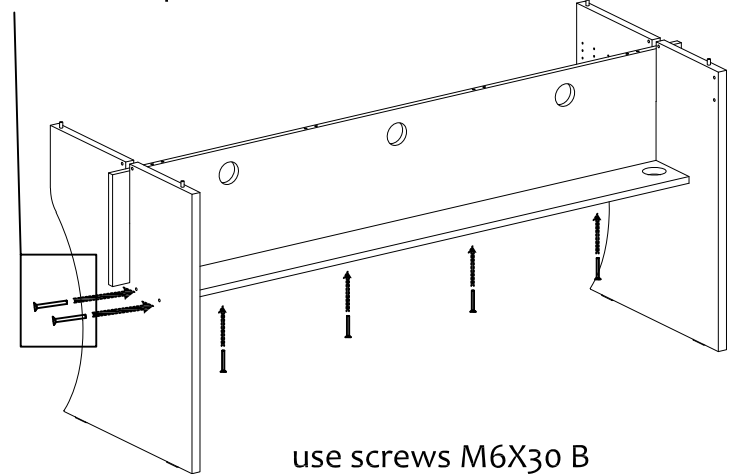


fix wooden connectors C in the appropriate holes of the
panels 1 and 2;
fix panel 3;

STEP 2



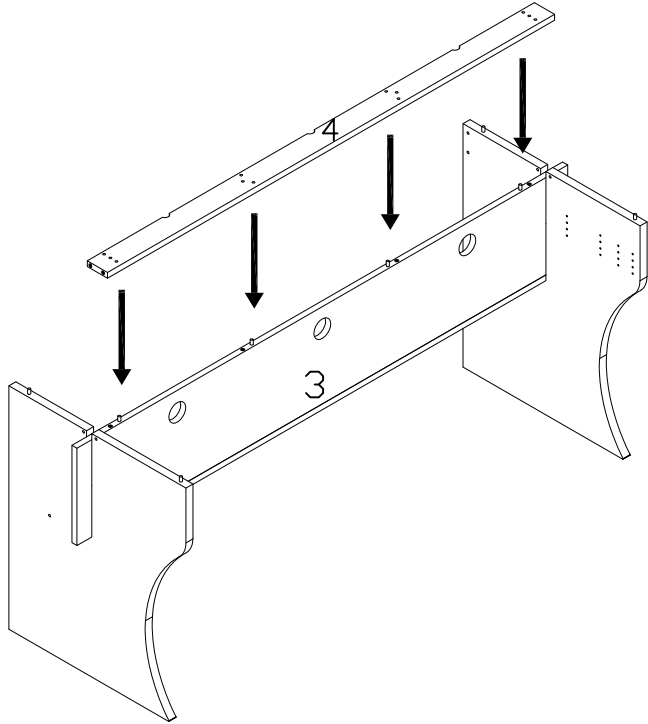
use screws M6X40 A



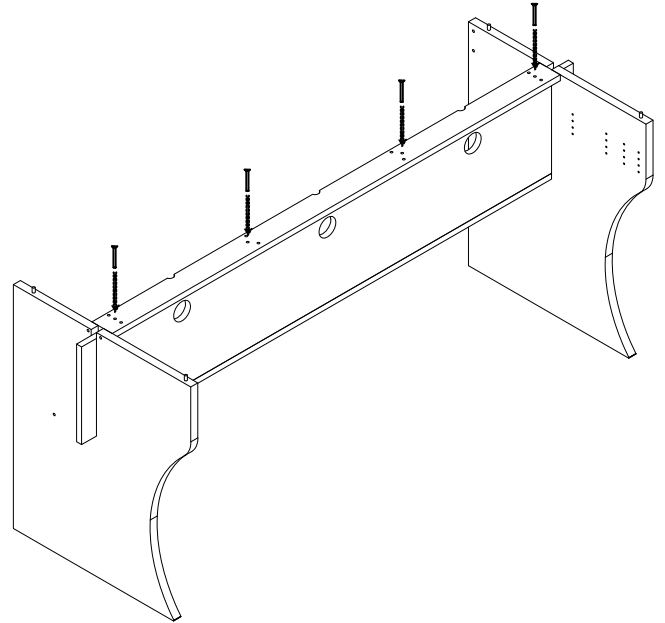
use screws M6X30 B

STEP 3

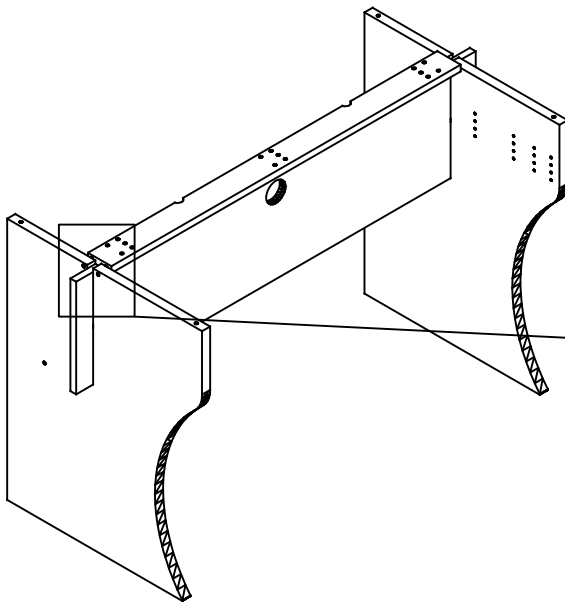
ComboDesk



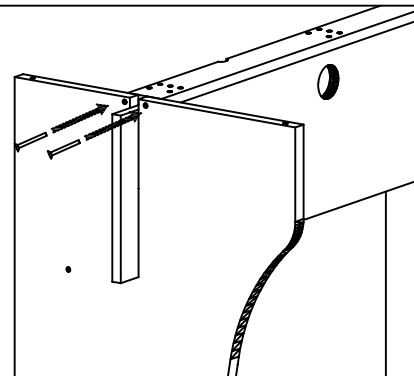
use screws M6X30 B



STEP 4

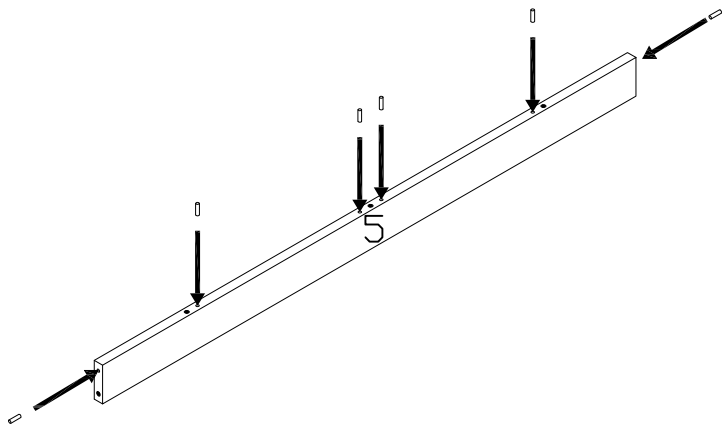


use screws M6X40 A



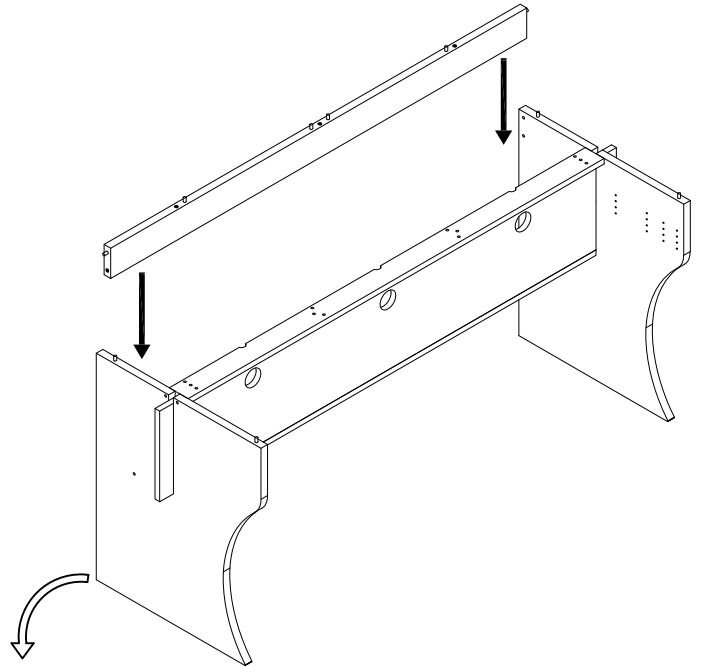
STEP 5

ComboDesk



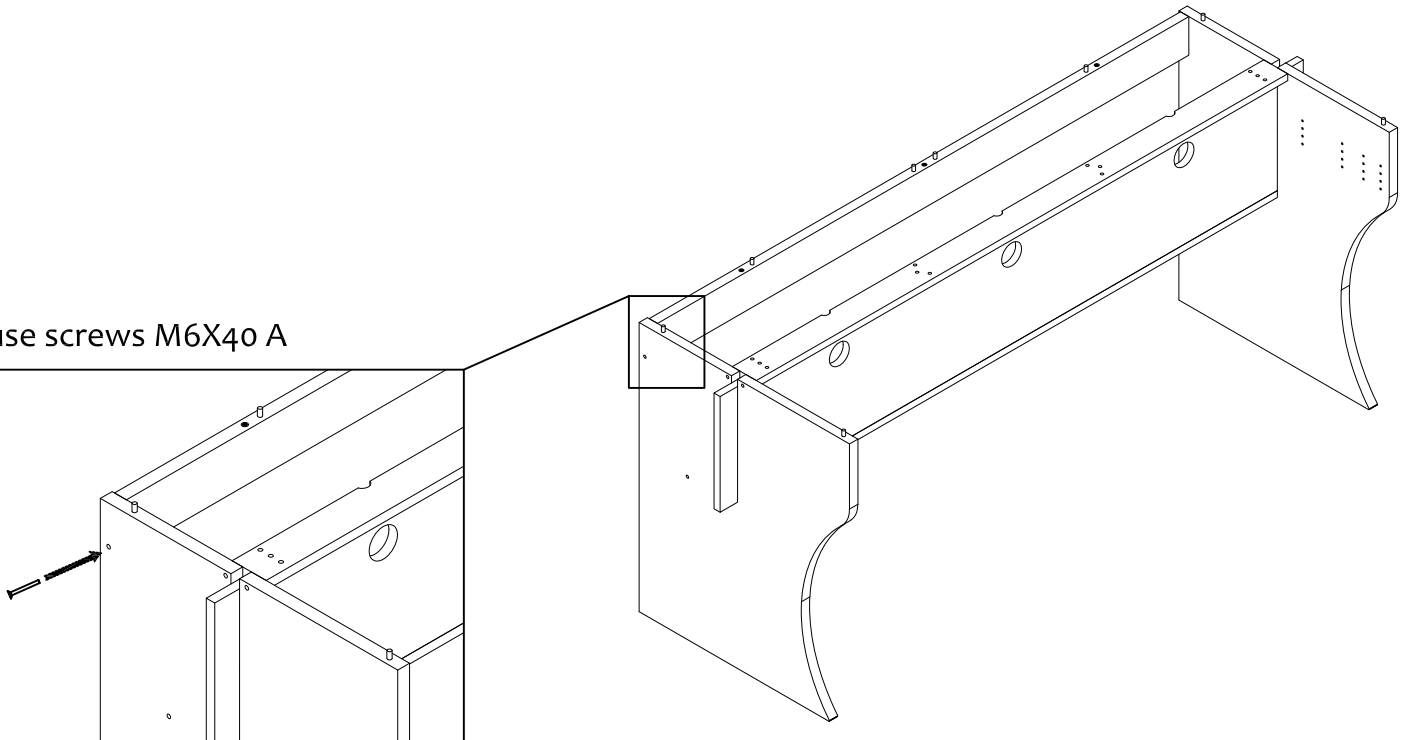
fix wooden connectors C
in the appropriate holes

STEP 6



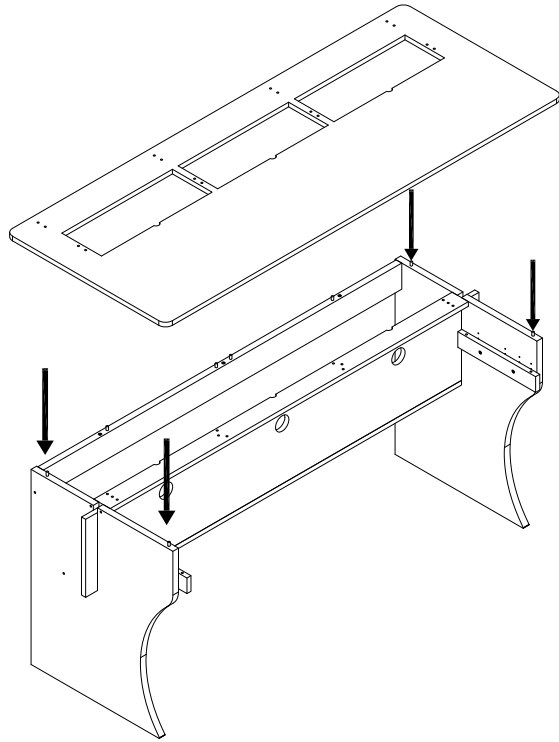
STEP 7

use screws M6X40 A

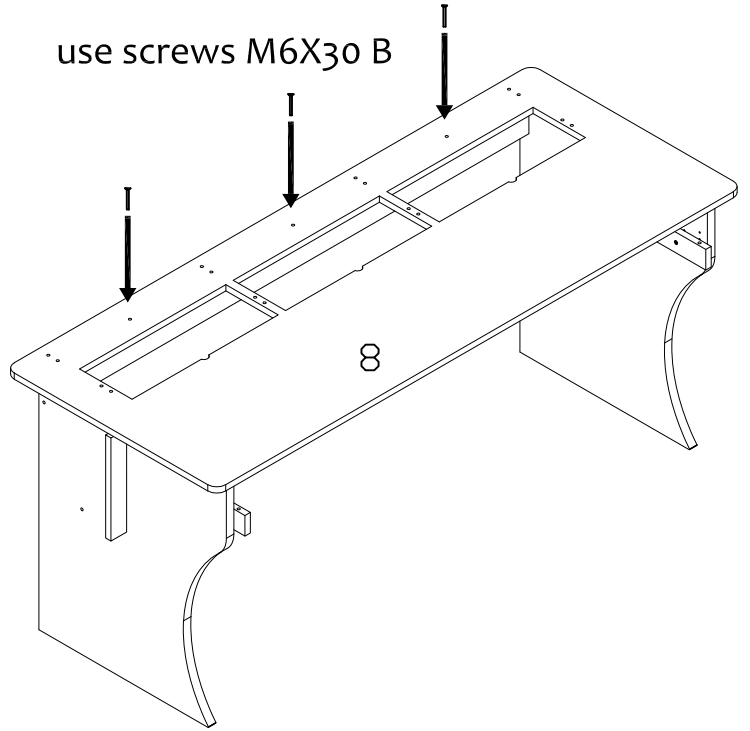


STEP 8

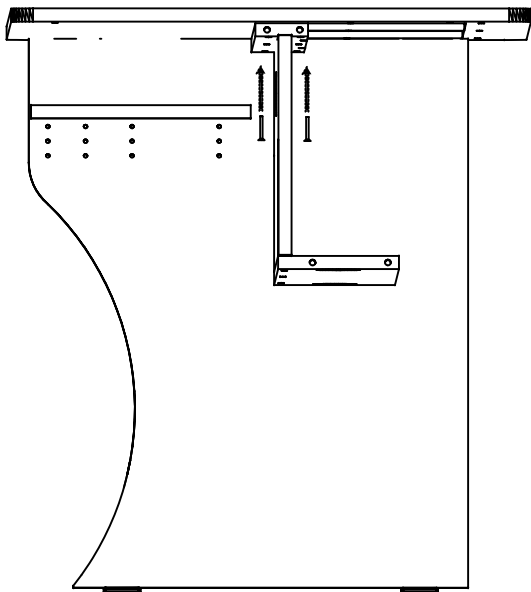
ComboDesk



use screws M6X30 B

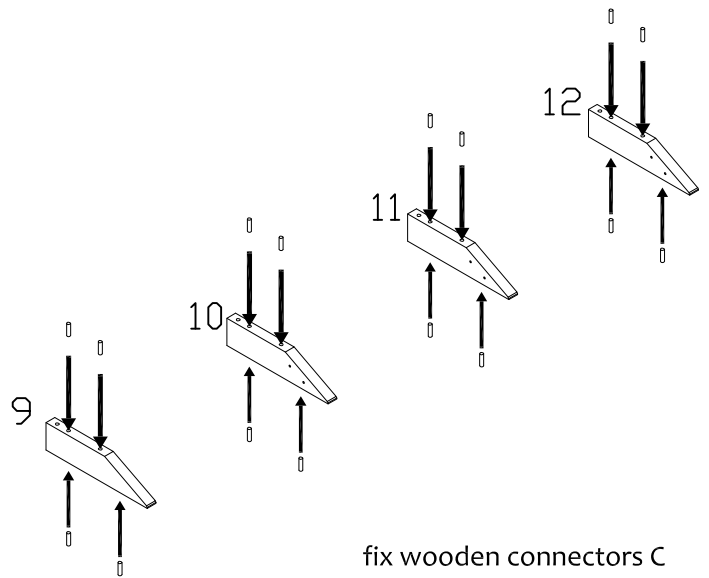


STEP 9



use screws M6X30 B

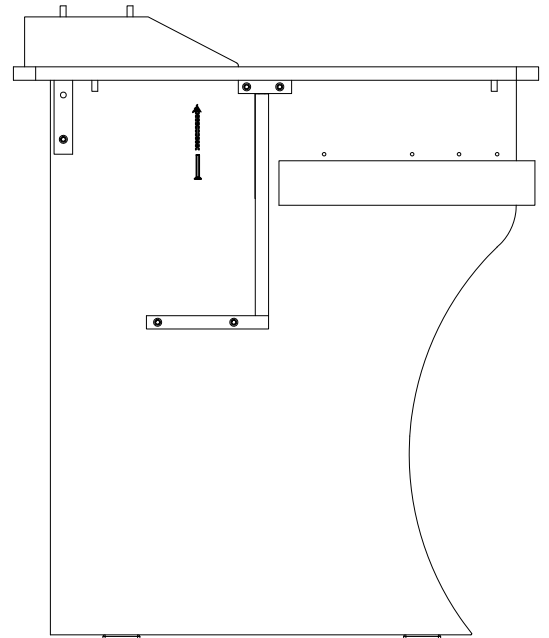
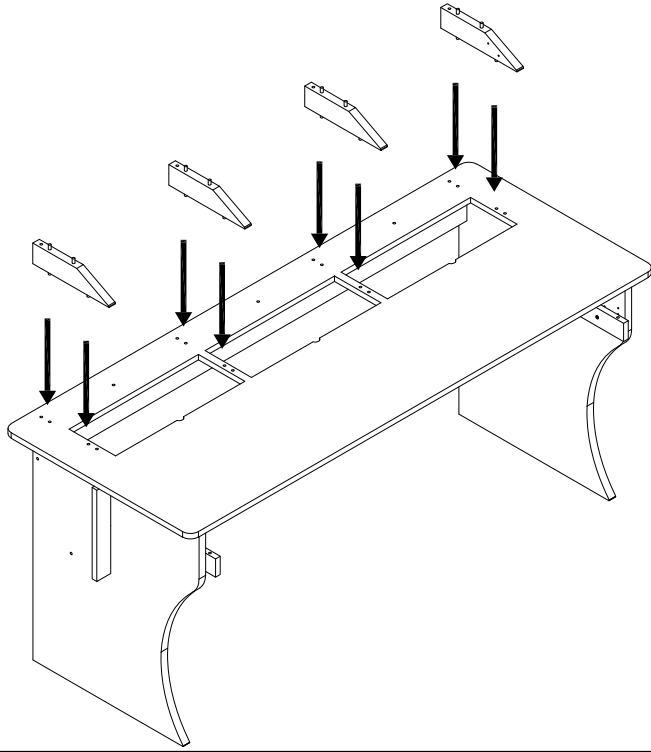
STEP 10



fix wooden connectors C
in the appropriate holes

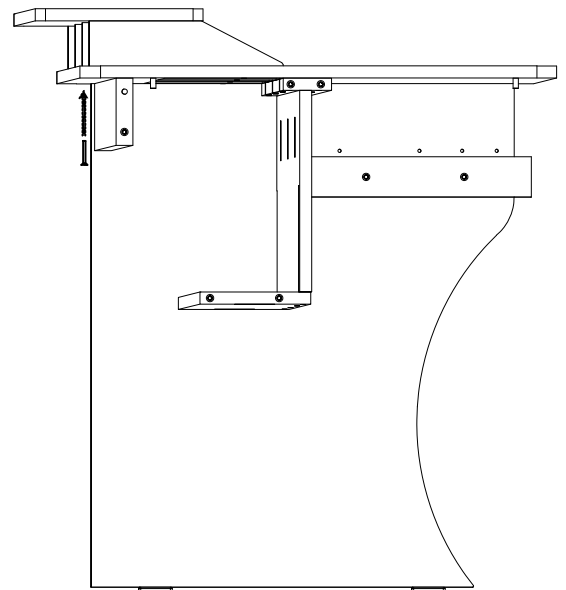
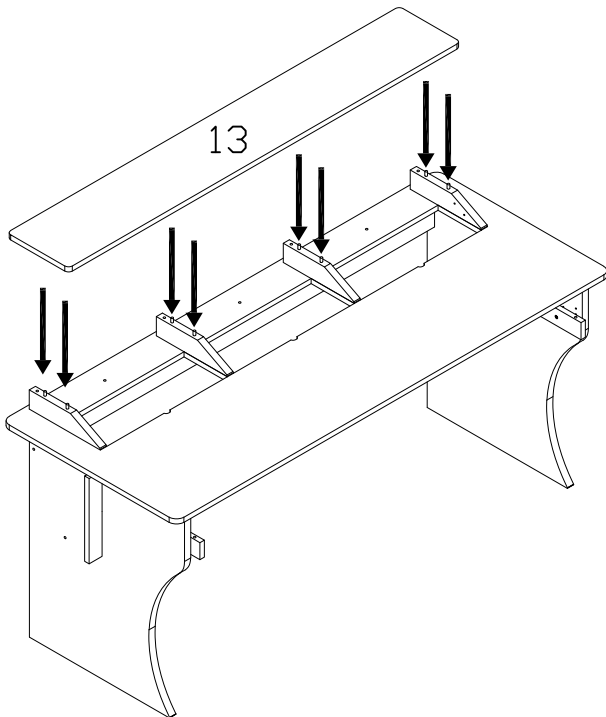
STEP 11

ComboDesk



use screws M6X30 B

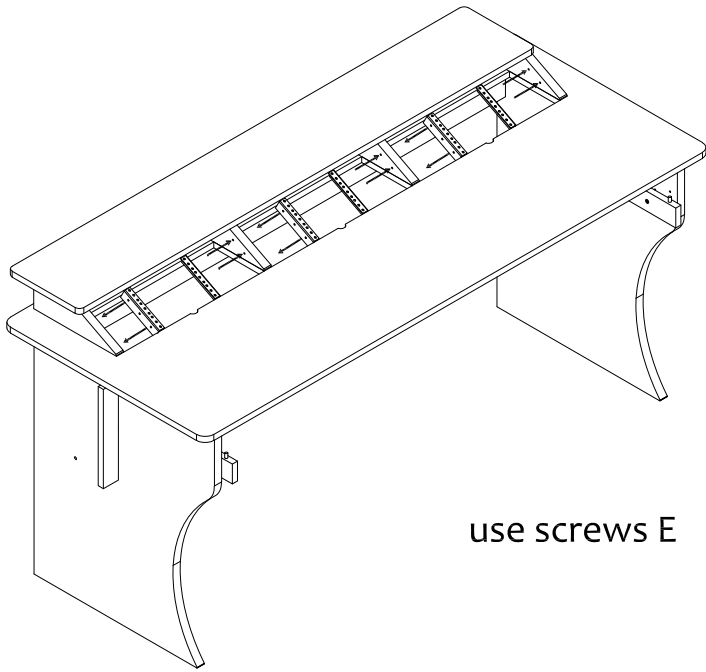
STEP 12



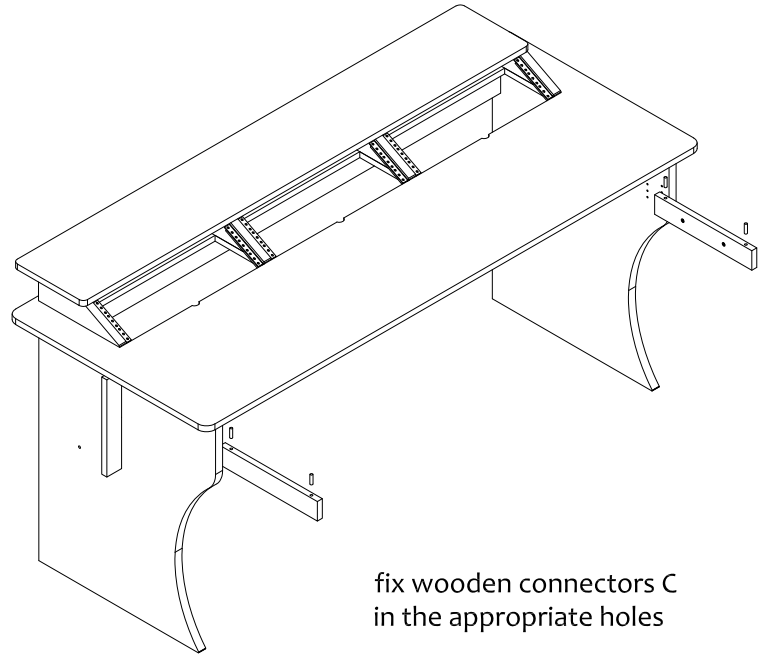
use screws M6X100 D

STEP 13

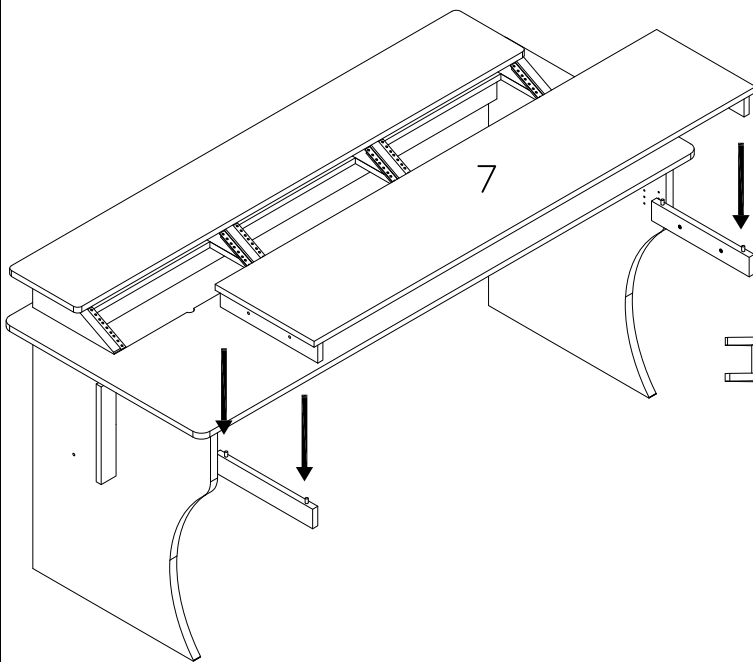
ComboDesk



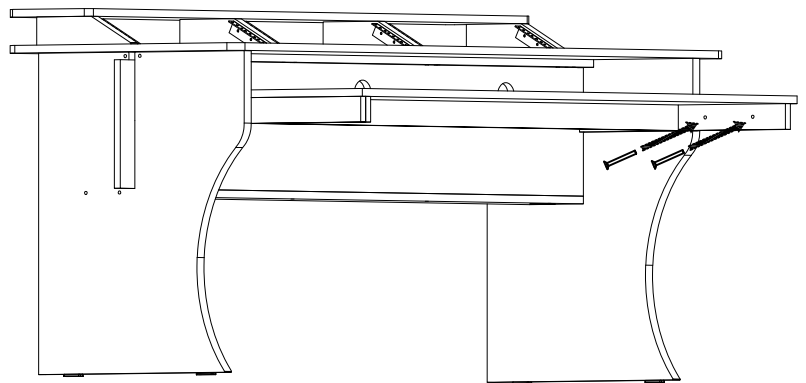
STEP 14



STEP 15



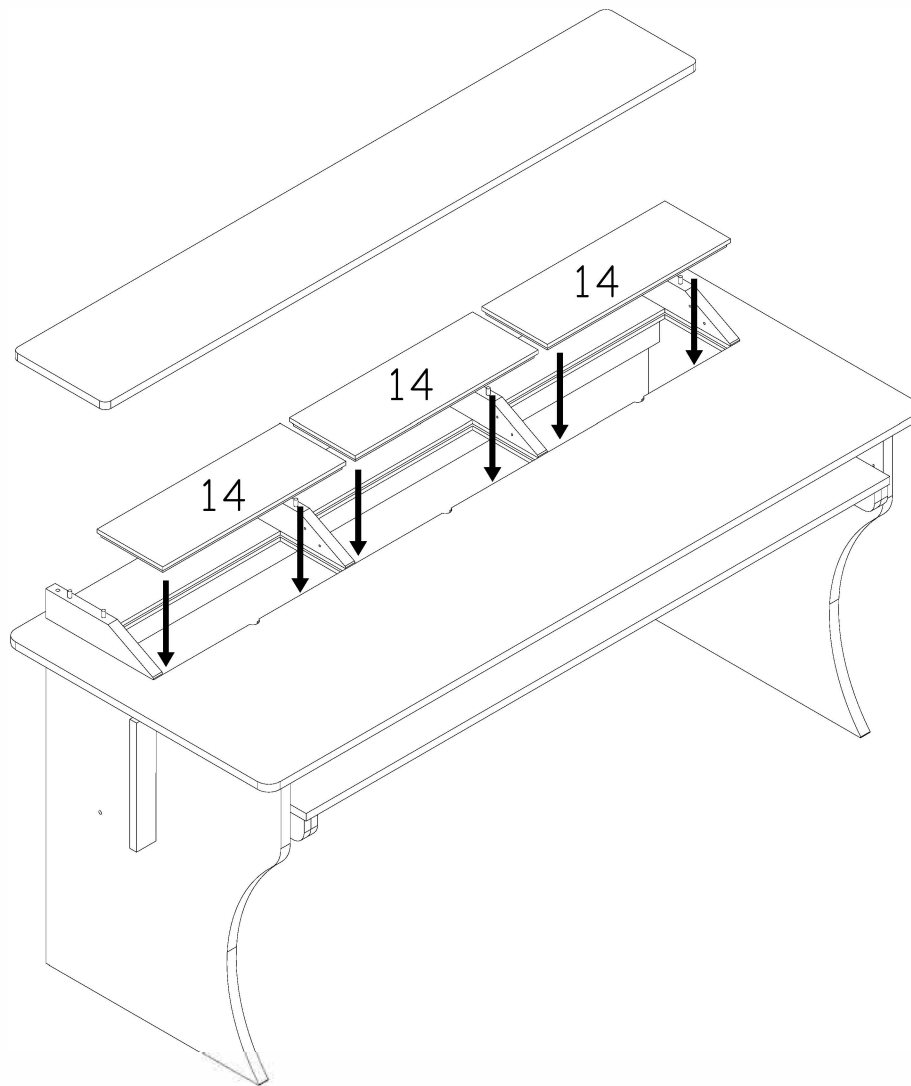
use screws M6X30 B



STEP 16

ComboDesk

In case you don't need the racks, you can close the holes by using part(s) number 14



Packing List:

N° 10+1 screws M6x40 A;

N° 27+1 screws M6x30 B;

N° 44+3 wooden connectors C;

N° 4+1 screws M6x 100 D;

N° 12 screws for rack rail E ;

N° 36 rack screws ;