



VR-260 Video Ring Light LED Bilight,  
VR-440 Video Ring Light LED Bilight

LED video light

Musikhaus Thomann  
Thomann GmbH  
Hans-Thomann-Straße 1  
96138 Burgebrach  
Germany  
Telephone: +49 (0) 9546 9223-0  
E-mail: [info@thomann.de](mailto:info@thomann.de)  
Internet: [www.thomann.de](http://www.thomann.de)

11.09.2020, ID: 495350, 498926

---

## Table of contents

<b>1</b>	<b>General information</b> .....	<b>4</b>
	1.1 Further information.....	5
	1.2 Symbols and signal words.....	6
<b>2</b>	<b>Safety instructions</b> .....	<b>8</b>
<b>3</b>	<b>Features</b> .....	<b>12</b>
<b>4</b>	<b>Installation</b> .....	<b>14</b>
<b>5</b>	<b>Connections and controls</b> .....	<b>16</b>
<b>6</b>	<b>Technical specifications</b> .....	<b>19</b>
<b>7</b>	<b>Cleaning</b> .....	<b>22</b>
<b>8</b>	<b>Protecting the environment</b> .....	<b>23</b>

# 1 General information

This user manual contains important information on the safe operation of the device. Read and follow all safety notes and all instructions. Save this manual for future reference. Make sure that it is available to all persons using this device. If you sell the device to another user, be sure that they also receive this manual.

Our products and user manuals are subject to a process of continuous development. We therefore reserve the right to make changes without notice. Please refer to the latest version of the user manual which is ready for download under [www.thomann.de](http://www.thomann.de).

## 1.1 Further information




On our website ([www.thomann.de](http://www.thomann.de)) you will find lots of further information and details on the following points:

Download	This manual is also available as PDF file for you to download.
Keyword search	Use the search function in the electronic version to find the topics of interest for you quickly.
Online guides	Our online guides provide detailed information on technical basics and terms.
Personal consultation	For personal consultation please contact our technical hotline.
Service	If you have any problems with the device the customer service will gladly assist you.

## 1.2 Symbols and signal words

In this section you will find an overview of the meaning of symbols and signal words that are used in this manual.

Signal word	Meaning
<b>DANGER!</b>	This combination of symbol and signal word indicates an immediate dangerous situation that will result in death or serious injury if it is not avoided.
<b>WARNING!</b>	This combination of symbol and signal word indicates a possible dangerous situation that can result in death or serious injury if it is not avoided.
<b>NOTICE!</b>	This combination of symbol and signal word indicates a possible dangerous situation that can result in material and environmental damage if it is not avoided.

Warning signs	Type of danger
	<p>Warning – dangerous optical radiation.</p>
	<p>Warning – suspended load.</p>
	<p>Warning – danger zone.</p>

## 2 Safety instructions

### **Intended use**

This device is intended for use as an electronic lighting effect by means of LED technology. The device is designed for professional use and is not suitable for use in households. Use the device only as described in this user manual. Any other use or use under other operating conditions is considered to be improper and may result in personal injury or property damage. No liability will be assumed for damages resulting from improper use.

This device may be used only by persons with sufficient physical, sensorial, and intellectual abilities and having corresponding knowledge and experience. Other persons may use this device only if they are supervised or instructed by a person who is responsible for their safety.

Extend the life of the device by regular breaks in operation and avoid switching it on and off frequently. This device is not suitable for continuous use.



**Safety**



**DANGER!**

**Danger for children**

Ensure that plastic bags, packaging, etc. are disposed of properly and are not within reach of babies and young children. Choking hazard!

Ensure that children do not detach any small parts (e.g. knobs or the like) from the unit. They could swallow the pieces and choke!

Never let children unattended use electrical devices.



**WARNING!**

**Eye damage caused by high light intensity**

Never look directly into the light source.



### **NOTICE!**

#### **Operating conditions**

This device has been designed for indoor use only. To prevent damage, never expose the device to any liquid or moisture. Avoid direct sunlight, heavy dirt, and strong vibrations.

Only operate the device within the ambient conditions specified in the chapter 'Technical specifications' of this user manual. Avoid heavy temperature fluctuations and do not switch the device on immediately after it was exposed to temperature fluctuations (for example after transport at low outside temperatures).

Dust and dirt inside can damage the unit. When operated in harmful ambient conditions (dust, smoke, nicotine, fog, etc.), the unit should be maintained by qualified service personnel at regular intervals to prevent overheating and other malfunction.



**NOTICE!**

**Power supply**

Before connecting the device, ensure that the input voltage (AC outlet) matches the voltage rating of the device and that the AC outlet is protected by a residual current circuit breaker. Failure to do so could result in damage to the device and possibly injure the user.

Unplug the device before electrical storms occur and when it is unused for long periods of time to reduce the risk of electric shock or fire.



**NOTICE!**

**Use of stands**

When mounting the device onto a stand, ensure that the stand is in a safe and stable position and that the weight of the device does not exceed the maximum permissible load capacity of the stand.

### 3 Features

The LED ring light with variable colour temperature is particularly suitable for lighting tasks during video shooting, in reports on the road, or in the studio.

Special features of the device:

- Long service life and low heat emission
- Lightweight design for use on the go
- Simple control directly on the device
- 180° swivelling
- High CRI
- Large and even illumination
- Numerous mounting options for tripods, mobile devices and cameras
- Mobile operation via built-in rechargeable battery
- Operation also possible during charging
- USB port for charging smartphones or other devices
- Plug-in power supply included
- Matching bags available separately (item no. 497377 for item no. 495350, item no. 499547 for item no. 498926)
- Tripod and smartphone holder available separately

For technological reasons, the light output of LEDs decreases over their lifetime. This effect increases with higher operating temperature. You can extend the service life of the illuminants by providing adequate ventilation and operating the LEDs with the lowest possible brightness.

# 4 Installation

Unpack and check carefully there is no transportation damage before using the unit. Keep the equipment packaging. To fully protect the product against vibration, dust and moisture during transportation or storage use the original packaging or your own packaging material suitable for transport or storage, respectively.

Create all connections while the device is off. Use the shortest possible high-quality cables for all connections. Take care when running the cables to prevent tripping hazards.

You can install the device standing or hanging. When in use, the device must be mounted at a solid surface or clamped to an approved truss.

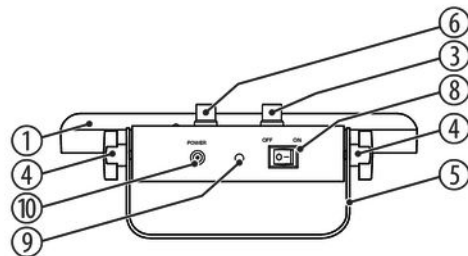
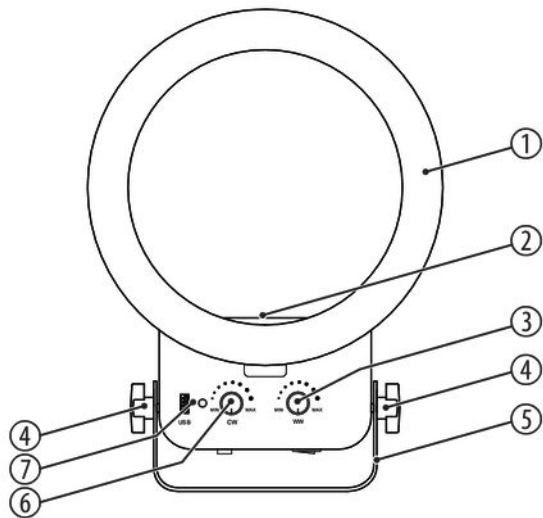
Work from a stable platform whenever you install or move the device or when you perform any kind of maintenance. Block access under the work area.

**WARNING!****Risk of injury caused by falling objects**

Make sure that the installation complies with the standards and rules that apply in your country. Always secure the device with a secondary safety attachment, such as a safety cable or a safety chain.

Secure the barn door with a safety cable on the spotlight after installation. The safety cable must run outside the barn door and must not interfere with the light emission.

## 5 Connections and controls





1	LED ring
2	Thread for mounting a smartphone holder (1/4" thread)
3	<i>[WW]</i> Brightness control (warm white)
4	Locking screws for the bracket
5	Bracket for hanging or tripod mounting
6	<i>[CW]</i> Brightness control (cool white)
7	<i>[USB]</i> with charge control LED USB port for charging smartphones or other devices. If the charge control LED lights up red, the internal battery is being charged. When the LED lights up green, the battery is fully charged.
8	<i>[ON] [OFF]</i> Main switch. Turns the device on and off.

9	Thread for tripod mounting (3/8" thread)
---	--

10	<i>[POWER]</i> Connection socket for the power adapter
----	---

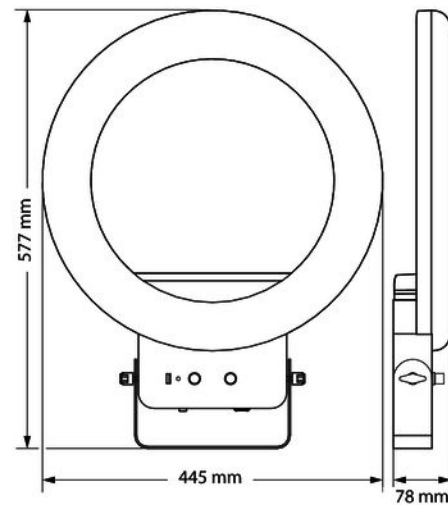
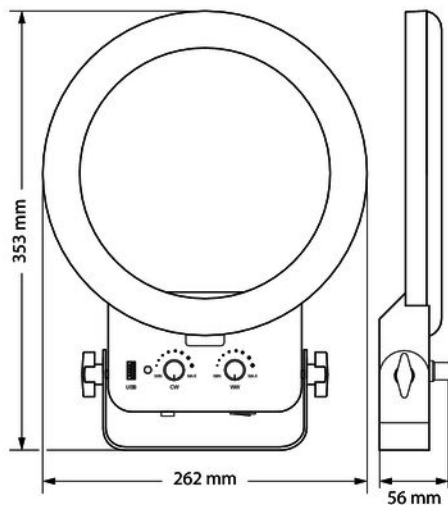
## 6 Technical specifications

		Item no. 495350	Item no. 498926
Light source		120 × SMD LED, 0.5 W (60 × 3000 K, 60 × 5700 K)	312 × SMD LED, 0.5 W (156 × 3000 K, 156 × 5700 K)
Properties of the Light source	Colour temperature	3000 ... 5700 K, continuously selectable	
	Colour rendering index	CRI 95	
Optical properties	Beam angle	120°	
	Light output	0.5 m: 1120 lm 1 m: 256 lm	0.5 m: 1340 lm 1 m: 475 lm
Input connections	Voltage supply	Connection socket for the plug-in power supply	
Power consumption	LEDs	18 W	22 W
	Operation while charging	34 W	48 W
	Charging only	16 W	26 W

## Technical specifications

		Item no. 495350	Item no. 498926
Voltage supply		Plug-in power supply (15 V $\overline{\text{---}}$ / 3 A)	Plug-in power supply (15 V $\overline{\text{---}}$ / 5 A)
Battery / rechargeable battery	Battery type	Lithium-ion	
	Voltage	12 V	
	Capacity	6000 mAh	9000 mAh
	Charging time	4.5 h	6 h
	Operating time	4.5 h	5 h
Protection class		IP20	
Mounting options		hanging, tripod	
Dimensions (W $\times$ H $\times$ D)		262 mm $\times$ 353 mm $\times$ 56 mm	445 mm $\times$ 577 mm $\times$ 78 mm
Weight		1 kg	2.3 kg
Ambient conditions	Temperature range	0 °C...40 °C	
	Relative humidity	50 %, non-condensing	

Item no. 495350, item no.  
498926



## 7 Cleaning

### Optical lenses

Clean the optical lenses, that are accessible from the outside, regularly in order to optimize the light output. The frequency of cleaning depends on the operating environment: wet, smoky or particularly dirty surroundings can cause more accumulation of dirt on the optics of the device.

- Clean with a soft cloth using our lamp and lens cleaner (item no. 280122).
- Always dry the parts carefully.

## 8 Protecting the environment

### Disposal of the packaging material



For the packaging, environmentally friendly materials have been chosen that can be supplied to normal recycling.

Ensure that plastic bags, packaging, etc. are properly disposed of.

Do not just dispose of these materials with your normal household waste, but make sure that they are collected for recycling. Please follow the notes and markings on the packaging.

### Disposal of batteries



Batteries do contain some hazardous chemicals so they should not be thrown away with the normal household waste. They should be returned to the manufacturer for disposal or recycled elsewhere in accordance with your local regulations.

Remove lithium batteries from the device before disposal. Protect used lithium batteries against potential short circuits, e.g. by covering the poles with adhesive tape. Dispose the built-in lithium batteries together with the device. Please check for an appropriate reception facility.

### Disposal of your old device



This product is subject to the European Waste Electrical and Electronic Equipment Directive (WEEE) in its currently valid version. Do not dispose with your normal household waste.

Dispose of this device through an approved waste disposal firm or through your local waste facility. When discarding the device, comply with the rules and regulations that apply in your country. If in doubt, consult your local waste disposal facility.









