




STAIRVILLE

BEL1 Battery Event
Light 15W,
BEL1+ Battery Event
Light 15W
LED spotlight

Musikhaus Thomann
Thomann GmbH
Hans-Thomann-Straße 1
96138 Burgebrach
Germany
Telephone: +49 (0) 9546 9223-0
E-mail: info@thomann.de
Internet: www.thomann.de

20.11.2020, ID: 461293_461292 (V2)

Table of contents

1	General information	5
	1.1 Further information.....	6
	1.2 Notational conventions.....	7
	1.3 Symbols and signal words.....	8
2	Safety instructions	11
3	Features	19
4	Installation	20
	4.1 Dealing with lithium batteries.....	25
5	Starting up	27
6	Connections and controls	28
7	Operating	34
	7.1 Starting the device.....	34
	7.2 Main menu.....	34
	7.3 Using Wireless DMX (W-DMX).....	44
	7.4 Menu overview.....	46

7.5	Functions in 5-channel DMX mode.....	50
7.6	Functions in 9-channel DMX mode.....	51
8	Technical specifications.....	53
9	Troubleshooting.....	57
10	Cleaning.....	59
11	Protecting the environment.....	60

1 General information

This user manual contains important information on the safe operation of the device. Read and follow all safety notes and all instructions. Save this manual for future reference. Make sure that it is available to all persons using this device. If you sell the device to another user, be sure that they also receive this manual.

Our products and user manuals are subject to a process of continuous development. We therefore reserve the right to make changes without notice. Please refer to the latest version of the user manual which is ready for download under www.thomann.de.

1.1 Further information

On our website (www.thomann.de) you will find lots of further information and details on the following points:

Download	This manual is also available as PDF file for you to download.
Keyword search	Use the search function in the electronic version to find the topics of interest for you quickly.
Online guides	Our online guides provide detailed information on technical basics and terms.
Personal consultation	For personal consultation please contact our technical hotline.
Service	If you have any problems with the device the customer service will gladly assist you.

1.2 Notational conventions

This manual uses the following notational conventions:

Letterings

The letterings for connectors and controls are marked by square brackets and italics.

Examples: *[VOLUME]* control, *[Mono]* button.

Displays

Texts and values displayed on the device are marked by quotation marks and italics.

Examples: *'24ch'*, *'OFF'*.

Instructions



The individual steps of an instruction are numbered consecutively. The result of a step is indented and highlighted by an arrow.



Example:

1. ▶ Switch on the device.
2. ▶ Press *[Auto]*.
 - ⇒ Automatic operation is started.
3. ▶ Switch off the device.

1.3 Symbols and signal words

In this section you will find an overview of the meaning of symbols and signal words that are used in this manual.

Signal word	Meaning
DANGER!	This combination of symbol and signal word indicates an immediate dangerous situation that will result in death or serious injury if it is not avoided.
WARNING!	This combination of symbol and signal word indicates a possible dangerous situation that can result in death or serious injury if it is not avoided.
NOTICE!	This combination of symbol and signal word indicates a possible dangerous situation that can result in material and environmental damage if it is not avoided.
Warning signs	Type of danger
	Warning – high-voltage.
	Warning – dangerous optical radiation.

Warning signs	Type of danger
 A yellow triangular warning sign with a black border. Inside the triangle, there is a black silhouette of a crane hook lifting a rectangular load.	Warning – suspended load.
 A yellow triangular warning sign with a black border. Inside the triangle, there is a black exclamation mark.	Warning – danger zone.

2 Safety instructions

Intended use

This device is intended for use as an electronic lighting effect by means of LED technology. The device is designed for professional use only and is not suitable for use in households. Use the device only as described in this user manual. Any other use or use under other operating conditions is considered to be improper and may result in personal injury or property damage. No liability will be assumed for damages resulting from improper use.

This device may be used only by persons with sufficient physical, sensorial, and intellectual abilities and having corresponding knowledge and experience. Other persons may use this device only if they are supervised or instructed by a person who is responsible for their safety.



Extend the operating life of the device by regular breaks and by avoiding frequent switching on and off. The device is not suitable for continuous operation.

Safety



DANGER!

Danger for children

Ensure that plastic bags, packaging, etc. are disposed of properly and are not within reach of babies and young children. Choking hazard!

Ensure that children do not detach any small parts (e.g. knobs or the like) from the unit. They could swallow the pieces and choke!

Never let children unattended use electrical devices.



DANGER!

Electric shock caused by high voltages inside

Within the device there are areas where high voltages may be present. Never remove any covers.

There are no user-serviceable parts inside.

Do not use the device if covers, protectors or optical components are missing or damaged.



DANGER!

Electric shock caused by short-circuit

Always use proper ready-made insulated mains cabling (power cord) with a protective contact plug. Do not modify the mains cable or the plug. Failure to do so could result in electric shock/death or fire. If in doubt, seek advice from a registered electrician.



WARNING!

Eye damage caused by high light intensity

Never look directly into the light source.



WARNING!

Risk of epileptic shock

Strobe lighting can trigger seizures in photosensitive epilepsy. Sensitive persons should avoid looking at strobe lights.



WARNING!

Incorrect handling of lithium batteries can result in injury

In the event of a short circuit, overheating or mechanical damage, lithium batteries can cause severe injuries.

Follow the advice on the correct handling of lithium batteries in the present section.



NOTICE!

Risk of fire

Do not block areas of ventilation. Do not install the device near any direct heat source. Keep the device away from naked flames.

**NOTICE!****Operating conditions**

This device has been designed for indoor use only. To prevent damage, never expose the device to any liquid or moisture. Avoid direct sunlight, heavy dirt, and strong vibrations.

Only operate the device within the ambient conditions specified in the chapter 'Technical specifications' of this user manual. Avoid heavy temperature fluctuations and do not switch the device on immediately after it was exposed to temperature fluctuations (for example after transport at low outside temperatures).

Dust and dirt inside can damage the unit. When operated in harmful ambient conditions (dust, smoke, nicotine, fog, etc.), the unit should be maintained by qualified service personnel at regular intervals to prevent overheating and other malfunction.



NOTICE!

Power supply

Before connecting the device, ensure that the input voltage (AC outlet) matches the voltage rating of the device and that the AC outlet is protected by a residual current circuit breaker. Failure to do so could result in damage to the device and possibly injure the user.

Unplug the device before electrical storms occur and when it is unused for long periods of time to reduce the risk of electric shock or fire.



NOTICE!

Risk of fire due to incorrect polarity

Incorrectly inserted batteries may destroy the device or the batteries.

Ensure that proper polarity is observed when inserting batteries.



NOTICE!

Possible damage by leaking batteries

Leaking batteries can cause permanent damage to the device.

Take batteries out of the device if it is not going to be used for a longer period.



NOTICE!

Possible staining

The plasticiser contained in the rubber feet of this product may possibly react with the coating of your parquet, linoleum, laminate or PVC floor and after some time cause permanent dark stains.

In case of doubt, do not put the rubber feet directly on the floor, but use felt-pad floor protectors or a carpet.



NOTICE!

Possible damage to lithium-ion batteries through incorrect storage

By deep discharge, lithium-ion batteries can be permanently damaged or lose some of their capacity.

Before long breaks, charge the batteries to around 50 % of their capacity and then switch off the device. Store the device at room temperature or cooler in an environment as dry as possible. If the batteries are stored for a longer period, recharge them to 50 % every three months.

Fully charge the batteries only shortly before use at room temperature.

3 Features

Special features of the device:

- Five-colour LED (RGBAW, 15 W)
- Item no. 461293: Stand alone mode operation
- Item no. 461292: Operable in stand-alone mode or DMX
- Item no. 461293: Control via the supplied infrared remote control and via buttons and colour display on the unit
- Item no. 461292: Control via DMX, wireless DMX, (Wireless Solution G5), with the supplied infrared remote control and via buttons and colour display on the unit
- Numerous pre-programmed mixed colours and effects
- Sound control
- Various mounting options
- Battery or mains powered

For technological reasons, the light output of LEDs decreases over their lifetime. This effect increases with higher operating temperature. You can extend the service life of the illuminants by providing adequate ventilation and operating the LEDs with the lowest possible brightness.

4 Installation

Unpack and check carefully there is no transportation damage before using the unit. Keep the equipment packaging. To fully protect the product against vibration, dust and moisture during transportation or storage use the original packaging or your own packaging material suitable for transport or storage, respectively.



WARNING!

Risk of injury caused by falling objects

Make sure that the installation complies with the standards and rules that apply in your country. Always secure the device with a secondary safety attachment, such as a safety cable or a safety chain.

**NOTICE!****Risk of overheating**

The distance between light output and the illuminated surface must be more than 1.5 m (19.7in).

Provide sufficient ventilation.

The ambient temperature must always be below 40 °C (104 °F).

**NOTICE!****Use of stands**

When mounting the device onto a stand, ensure that the stand is in a safe and stable position and that the weight of the device does not exceed the maximum permissible load capacity of the stand.

Mounting options

You can install the device using a stand, as well as standing or hanging upside down. When in use, the device must always be attached to a solid surface or an approved truss.

BEL1 Battery EventLight 15W, BEL1+ Battery EventLight 15W

Always work from a stable platform whenever installing, moving or servicing the unit. In doing so, the area underneath the unit must be cordoned off.

The safety cable must be threaded through the openings in the bracket.



Please note that this device must not be connected to a dimmer.

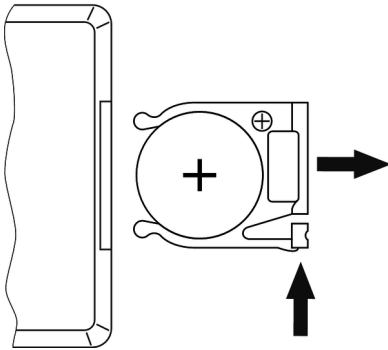
Infrared sensor for the remote control

The infrared sensor for the remote control signals is located in front of the LEDs on the front panel. Make sure it's not obstructed.

Inserting the battery into the remote control

Press the lock of the battery holder to the centre of the housing and pull out the battery holder like a drawer. Insert the battery. The battery is correct if the positive pole points to the housing base of the remote control. Slide the battery holder back into the remote until it clicks into place.

When shipping, the battery is already installed in the remote and protected against discharge by a transparent plastic foil. Remove the plastic foil prior to first use.





NOTICE!

Possible damage to lithium-ion batteries through incorrect storage

By deep discharge, lithium-ion batteries can be permanently damaged or lose some of their capacity.

Before long breaks, charge the batteries to around 50 % of their capacity and then switch off the device. Store the device at room temperature or cooler in an environment as dry as possible. If the batteries are stored for a longer period, recharge them to 50 % every three months.

Fully charge the batteries only shortly before use at room temperature.

4.1 Dealing with lithium batteries



WARNING!

Incorrect handling of lithium batteries can result in injury

In the event of a short circuit, overheating or mechanical damage, lithium batteries can cause severe injuries.

Follow the advice on the correct handling of lithium batteries in the present section.

When handled correctly and appropriately lithium batteries pose no risk.

Store lithium batteries in a cool, dry place, ideally in the original packaging.

Store lithium batteries away from heat sources (e.g. radiators or sunlight). Lithium batteries are hermetically sealed. Never attempt to open a lithium battery.

If the battery housing is damaged small amounts of the electrolyte may leak out. If this should happen, seal the lithium battery in airtight packaging and wipe up the traces of electrolyte using absorbent paper towels. You must wear protective rubber gloves when doing so. Clean your hands and the affected surface thoroughly with cold water.

Never attempt to recharge non-rechargeable lithium batteries. When charging lithium batteries you must use a suitable charging device intended for the purpose.

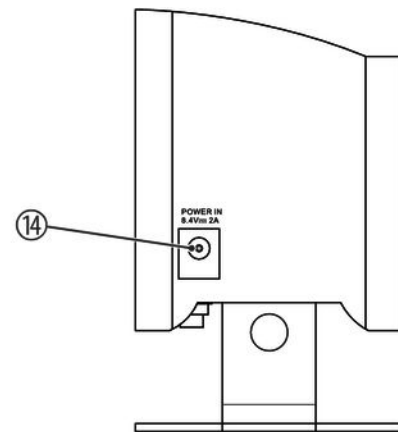
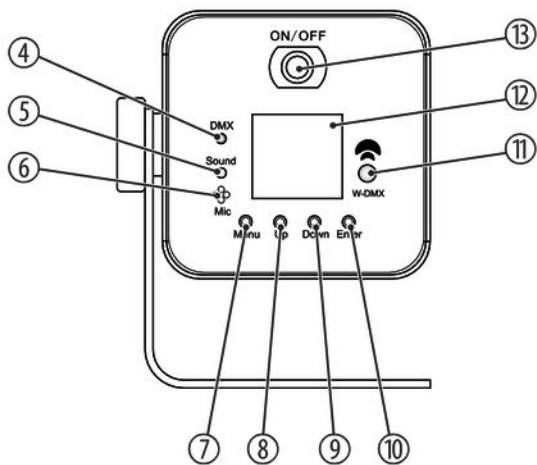
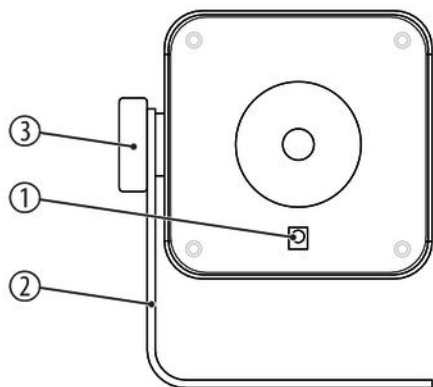
Before disposing of the device remove the lithium batteries. Protect used lithium batteries against potential short circuits, e.g. by covering the poles with adhesive tape.

Only use powder extinguishers or other suitable extinguishing agents to extinguish a burning lithium battery.

5 Starting up

Create all connections while the device is off. Use the shortest possible high-quality cables for all connections. Take care when running the cables to prevent tripping hazards.

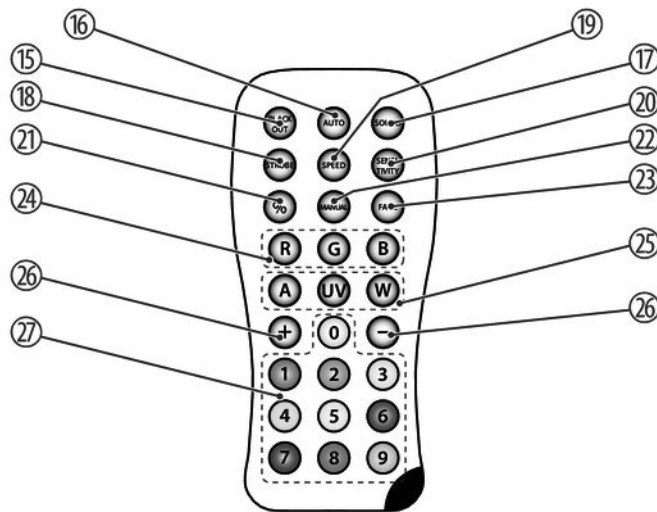
6 Connections and controls



1	Infrared sensor for the remote control signals
2	Mounting bracket
3	Locking screw for the mounting bracket
4	Only for item # 461292: <i>[DMX]</i> The LED indicates an incoming Wireless DMX signal.
5	<i>[Sound]</i> The LED indicates that the Sound control is active.
6	<i>[Mic]</i> Microphone for sound control
7	<i>[Menu]</i> button Activates the main menu and toggles between menu items. Closes an opened submenu.
8,9	<i>[Up], [Down]</i> buttons Toggles between the menu items of a menu level, increases or decreases the displayed value by one.

10	<i>[Enter]</i> Selects an option of the respective operating mode, confirms the set value.
11	Only for item # 461292: <i>[W-DMX]</i> Status LED for Wireless-DMX LED off: there is no old or current connection LED flashes quickly: connection establishment or no signal from the transmitter LED flashes slowly: connected
12	Display
13	<i>[ON / OFF]</i> Main switch. Turns the device on and off.
14	Charge plug

Remote control



BEL1 Battery EventLight 15W, BEL1+ Battery EventLight 15W

15	<i>[BLACK OUT]</i> Enables or disables blackout.
16	<i>[AUTO]</i> Starts or stops the Auto mode.
17	<i>[SOUND]</i> Starts the music-controlled automatic show.
18	<i>[STROBE]</i> Enables or disables the Strobe effect with the last selected colour.
19	<i>[SPEED]</i> Allows you to set the speed of the automatic programmes with <i>[+]</i> and <i>[-]</i> .
20	<i>[SENSITIVITY]</i> Allows you to set the sensitivity of the Sound control with <i>[+]</i> and <i>[-]</i> .
21	<i>[%]</i> Resets during the setting of values (speed of the automatic programs, sensitivity of the music control) the displayed value to zero.

22	<i>[MANUAL]</i> Activates the display of a constant colour, that can either be mixed individually with <i>[R]</i> , <i>[G]</i> and <i>[B]</i> from the basic colours, or selected directly with one of the coloured buttons.
23	<i>[FADE]</i> Allows you to choose between the two automatic options by pressing repeatedly.
24	<i>[R], [G], [B]</i> Sets the intensity of the three primary colours red, green and blue when a constant colour is displayed.
25	<i>[A], [W]</i> Sets the intensity of the colours amber and white when a constant colour is displayed. <i>[UV]</i> button without function.
26	<i>[+], [-]</i> Increases or decreases the set value.
27	Buttons for directly selecting a mixed colour.

7 Operating

7.1 Starting the device

Connect the device to the power supply to start operation. After a few seconds, the display indicates that a reset is in progress. The device is then ready for use. The display shows the operating mode that was selected when the unit was last powered off.

7.2 Main menu

Press *[Menu]* to activate the main menu. Use *[Up]* or *[Down]* to select a submenu. When the display shows the desired submenu press *[Enter]* to open it up. To close the main menu, press *[Menu]*. The stored values are displayed in white in the display. Changed values are displayed in red until they are confirmed with *[Enter]*.

The following table shows the setting options.

BEL1 Battery Event Light 15W
(item no. 461293)

Main menu	Menu level 2	Menu level 3	Menu level 4	
Meaning				
'Mode'	'Auto'	Automatic run		
		'Prog'	'Sp00' ... 'Sp99'	Programme running speed
		'Step'	'Sp00' ... 'Sp99'	Colour change speed
		'Fade'	'Sp00' ... 'Sp99'	Speed of the fade effect
	'Sound'	Sound-controlled auto run		
		'Step'	'Se00' ... 'Se99'	Sensitivity of the built-in microphone for colour change
		'Fade'	'Se00' ... 'Se99'	Sensitivity of the built-in microphone for fade effect

Main menu	Menu level 2	Menu level 3	Menu level 4
Meaning			
	'Static'	'Dimmer'	0...255 Setting the overall brightness
		'Strobe'	0...255 Stroboscope effect with adjustable speed
		'C-Macro'	1...9 Selection of a mixed colour
		'Red'	0...255 Intensity red (0 % to 100 %)
		'Green'	0...255 Intensity green (0 % to 100 %)
		'Blue'	0...255 Intensity blue (0 % to 100 %)
		'White'	0...255 Intensity white (0 % to 100 %)

Main menu	Menu level 2	Menu level 3	Menu level 4	
Meaning				
		'Amber'	0...255	Intensity amber (0 % to 100 %)
'Settings'	'Display'	Automatic display shutdown when not in use		
		'On'	Enabled	
		'Off'	Disabled	
	'Display Rev'	Display inversion		
		'On'	On, display is rotated by 180°	
		'Off'	Off, normal display	
	'Limiter'	Lower the maximum brightness to extend battery life		
		'On'	Enabled	
		'Off'	Disabled	
	'Dimmer Curve'	Dimmer curve		

Main menu	Menu level 2	Menu level 3	Menu level 4
Meaning			
		'Linear'	Linear
		'Exp'	Exponential
		'Log'	Logarithmic
		'S Curve'	S-shaped
'System Info'	'Firmware'	Show firmware version of the device	
	'Timeinfo'	Operating hours display	
	'Temperature'	Show device temperature	

**BEL1+ Battery Event Light 15W
(item no. 461292)**

Main menu	Menu level 2	Menu level 3	Menu level 4	
	Meaning			
'DMX Address'	001...508 (5 channel mode) 001...504 (9-channel mode)	Setting the DMX address		
'Mode'	'DMX'	Selecting a DMX mode		
		'DMX 5Ch'	5-channel DMX mode	
		'DMX 9Ch'	9-channel DMX mode	
	'Auto'	Automatic run		
		'Prog'	'Sp00' ... 'Sp99'	Programme running speed
		'Step'	'Sp00' ... 'Sp99'	Colour change speed
		'Fade'	'Sp00' ... 'Sp99'	Speed of the fade effect
	'Sound'	Sound-controlled auto run		

Main menu	Menu level 2	Menu level 3	Menu level 4	
Meaning				
		'Step'	'Se00' ... 'Se99'	Sensitivity of the built-in microphone for colour change
		'Fade'	'Se00' ... 'Se99'	Sensitivity of the built-in microphone for fade effect
	'Static'	'Dimmer'	0...255	Setting the overall brightness
		'Strobe'	0...255	Stroboscope effect with adjustable speed
		'C-Macro'	1...9	Selection of a mixed colour
		'Red'	0...255	Intensity red (0 % to 100 %)

Main menu	Menu level 2	Menu level 3	Menu level 4	
Meaning				
		'Green'	0...255	Intensity green (0 % to 100 %)
		'Blue'	0...255	Intensity blue (0 % to 100 %)
		'White'	0...255	Intensity white (0 % to 100 %)
		'Amber'	0...255	Intensity amber (0 % to 100 %)
'Settings'	'W-Dmx'	Wireless DMX control (siehe ↗ Chapter 7.3 'Using Wireless DMX (W-DMX)' on page 44)		
		'On'	Enabled	
		'Off'	Disabled	
	'Display'	Automatic display shutdown when not in use		
		'On'	Enabled	

Main menu	Menu level 2	Menu level 3	Menu level 4
	Meaning		
		'Off'	Disabled
	'Display Rev'	Display inversion	
		'On'	On, display is rotated by 180°
		'Off'	Off, normal display
	'Limiter'	Lower the maximum brightness to extend battery life	
		'On'	Enabled
		'Off'	Disabled
	'Dmx Fail'	Device behaviour on DMX signal failure	
		'Blackout'	Blackout
		'Sound'	Sound-controlled auto run
		'Auto'	Auto run with fade effect
		'Hold'	Retaining last settings

Main menu	Menu level 2	Menu level 3	Menu level 4
	Meaning		
	'Dimmer Curve'	Dimmer curve	
		'Linear'	Linear
		'Exp'	Exponential
		'Log'	Logarithmic
		'S Curve'	S-shaped
'System Info'	'Firmware'	Show firmware version of the device	
	'Timeinfo'	Operating hours display	
	'Temperature'	Show device temperature	

7.3 Using Wireless DMX (W-DMX)

BEL1+ Battery Event Light 15W (item no. 461292)

Proceed as follows to establish a connection between transmitter and spotlight:

1. ➤ Press *[Menu]* to activate the main menu. Use *[Up]* or *[Down]* to select the menu item *'Settings'* and confirm with *[Enter]*.
2. ➤ Select the menu item *'W-Dmx'* and confirm with *[Enter]*. Select *'On'* to activate W-DMX mode.
3. ➤ Press *[Link]* or *[Pairing]* on the wireless solution transmitter.
⇒ The connection between the transmitter and the spotlight is being established.
4. ➤ If the connection can not be successfully established, check and, if necessary, change the transmission mode of the wireless solution transmitter (e.g. *'G3'* / *'G4S'* / *'G5'* mode) and restart to connect.
5. ➤ If the spotlight should have been already connected to another transmitter, you have to interrupt at first the old connection.

Press *[Menu]* to activate the main menu. Use *[Up]* or *[Down]* to select the menu item *'Settings'* and confirm with *[Enter]*.

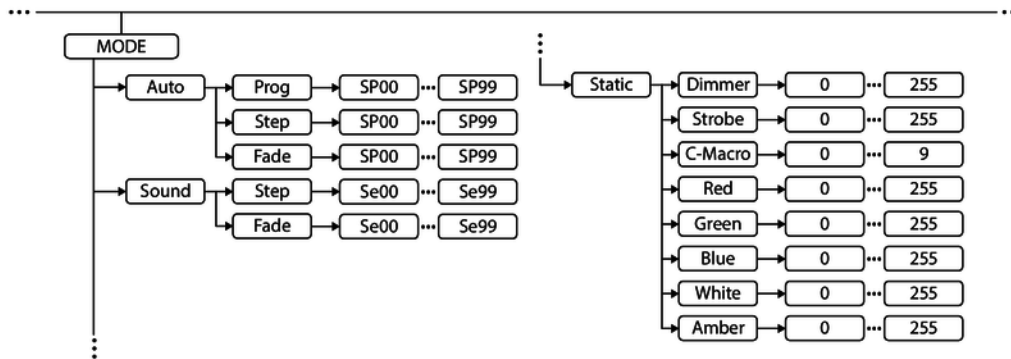
Select the menu item '*W-Dmx*' and confirm with *[Enter]*. Select '*Off*' to deactivate W-DMX mode.

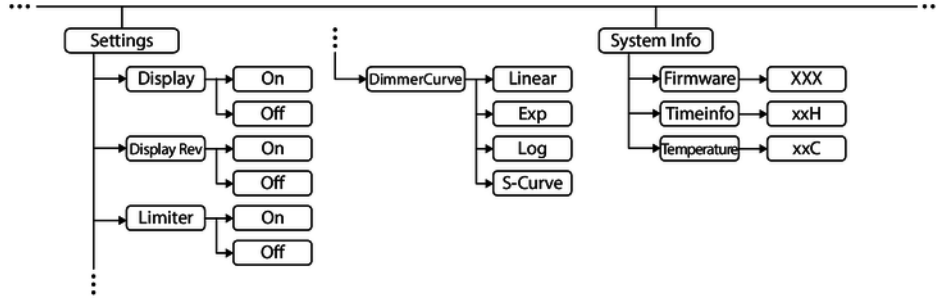
⇒ The LED *[W-DMX]* turns off.

- 6.** ▶ Reactivate the connection between the transmitter and the spotlight as described under item 2 and 3.

7.4 Menu overview

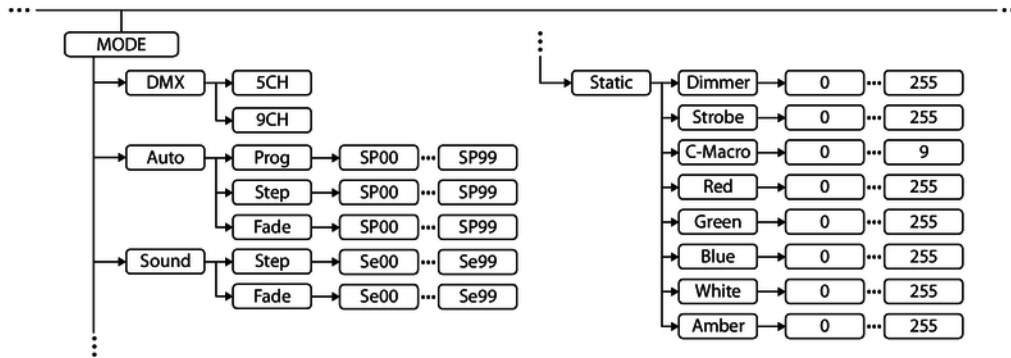
BEL1 Battery Event Light 15W (item no. 461293)

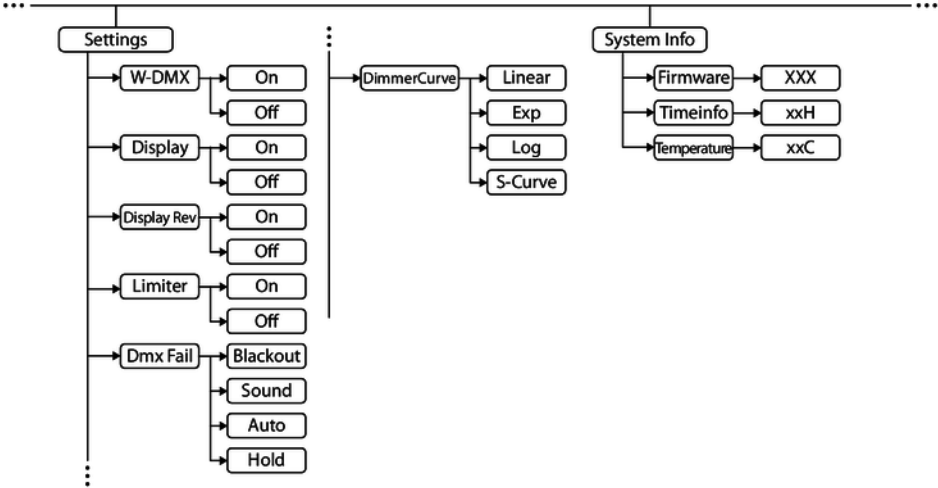




BEL1 Battery EventLight 15W, BEL1+ Battery EventLight 15W

BEL1+ Battery Event Light 15W
(item no. 461292)





BEL1 Battery EventLight 15W, BEL1+ Battery EventLight 15W

7.5 Functions in 5-channel DMX mode

**only BEL1+ Battery Event Light
15W (item no. 461292)**

Channel	Value	Function
1	0	No function
	1...255	Intensity red (0 % to 100 %)
2	0	No function
	1...255	Intensity green (0 % to 100 %)
3	0	No function
	1...255	Intensity blue (0 % to 100 %)
4	0	No function
	1...255	Intensity white (0 % to 100 %)
5	0	No function
	1...255	Intensity amber (0 % to 100 %)

7.6 Functions in 9-channel DMX mode

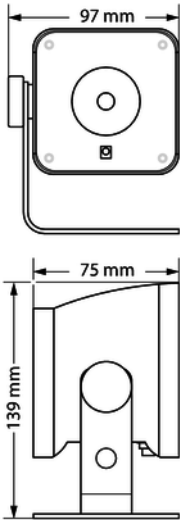
only BEL1+ Battery Event Light
15W (item no. 461292)

Channel	Value	Function
1	0	No function
	1...255	Dimmer RGBAW (0 % to 100 %)
2	0	No function
	1...255	Strobe effect with increasing speed
3	0	No function
	0...255	Intensity red (0 % to 100 %)
4	0	No function
	0...255	Intensity green (0 % to 100 %)
5	0	No function
	0...255	Intensity blue (0 % to 100 %)

BEL1 Battery EventLight 15W, BEL1+ Battery EventLight 15W

Channel	Value	Function
6	0	No function
	0...255	Intensity white (0 % to 100 %)
7	0	No function
	0...255	Intensity amber (0 % to 100 %)
8	0...4	No function
	5...80	Selection of a mixed colour
	81...150	Colour change effect
	151...220	Colour transition effect
	221...255	Automatic sound controlled show
9	0	No function
	1...255	Running speed automatic show, increasing

8 Technical specifications



		BEL1 Battery Event Light 15W Item no. 461293	BEL1+ Battery Event Light 15W Item no. 461292
Light source		1 × 5in1 LED (RGBAW, 15 W)	
Optical properties	Beam angle	25°	25°
Control		Infrared remote control	Infrared remote control
		Buttons and display on the unit	Buttons and display on the unit
		–	Wireless DMX
Number of DMX channels		–	5, 9
Input connections	Voltage supply	Socket for connecting the plug-in power supply	
Power consumption		15 W	

BEL1 Battery EventLight 15W, BEL1+ Battery EventLight 15W

		BEL1 Battery Event Light 15W Item no. 461293	BEL1+ Battery Event Light 15W Item no. 461292
Operating supply voltage		Power adapter (8,4 V $\overline{\text{---}}$ / min. 1 A, centre positive)	
Battery / rechargeable battery	Battery type	Lithium-ion, chargeable	
	Voltage	8.4 V	
	Capacity	1 Ah	
	Charging time in the device	approx. 7 h	
Protection class		IP20	
Mounting options		hanging, standing, tripod-mounted	
Dimensions (W × H × D)		97 mm × 139 mm × 75 mm	
Weight		0.7 kg	

		BEL1 Battery Event Light 15W Item no. 461293	BEL1+ Battery Event Light 15W Item no. 461292
Ambient conditions	Temperature range	0 °C...40 °C	
	Relative humidity	50 %, non-condensing	

BEL1 Battery EventLight 15W, BEL1+ Battery EventLight 15W

Further information

	BEL1 Battery Event Light 15W Item no. 461293	BEL1+ Battery Event Light 15W Item no. 461292
Number of LEDs	1	1
Colour mixture	RGBAW	RGBAW
LED type	x-in-1	x-in-1
Floor housing	Yes	Yes
Fanless	Yes	Yes
Remote control	included	included
DMX	No	Yes
Wireless DMX	No	Yes
Stand-alone function	Yes	Yes
Housing colour	black	black

9 Troubleshooting

In the following we list a few common problems that may occur during operation. We give you some suggestions for easy troubleshooting:

Symptom	Remedy
The unit does not work, no light	Check the mains connection and the main fuse.
No response to the DMX controller	<ol style="list-style-type: none"> 1. Check the address settings and the DMX polarity. 2. Disable the WDMX function on the device and reconnect it to the transmitter.
Wireless control via W-DMX does not work / no connection can be established	<ol style="list-style-type: none"> 1. Check whether 'On' is selected in the 'W-Dmx' menu. 2. Select 'Off' in the 'W-Dmx' menu for resetting the W-DMX. Confirm the selection and exit the menu. Wait about five seconds and re-enable then the 'W-Dmx' menu. Press now the connection button on the wireless solution transmitter.

Symptom	Remedy
	3. Change the operation mode on the wireless solution transmitter (p.ex. G3 / G4S / G5 mode) and follow the procedure described in 2.
The built-in battery can no longer be recharged.	Do not attempt to replace the built-in battery yourself. Please contact our service centre.

If the procedures recommended above do not succeed, please contact our Service Center. You can find the contact information at www.thomann.de.

10 Cleaning

Optical lenses

Clean the optical lenses, that are accessible from the outside, regularly in order to optimize the light output. The frequency of cleaning depends on the operating environment: wet, smoky or particularly dirty surroundings can cause more accumulation of dirt on the optics of the device.

- Clean with a soft cloth using our lamp and lens cleaner (item no. 280122).
- Always dry the parts carefully.

11 Protecting the environment

Disposal of the packaging material



For the packaging, environmentally friendly materials have been chosen that can be supplied to normal recycling.

Ensure that plastic bags, packaging, etc. are properly disposed of.

Do not just dispose of these materials with your normal household waste, but make sure that they are collected for recycling. Please follow the notes and markings on the packaging.

Disposal of batteries



Batteries do contain some hazardous chemicals so they should not be thrown away with the normal household waste. They should be returned to the manufacturer for disposal or recycled elsewhere in accordance with your local regulations.

Remove lithium batteries from the device before disposal. Protect used lithium batteries against potential short circuits, e.g. by covering the poles with adhesive tape. Dispose the built-in lithium batteries together with the device. Please check for an appropriate reception facility.

Disposal of your old device



This product is subject to the European Waste Electrical and Electronic Equipment Directive (WEEE) in its currently valid version. Do not dispose with your normal household waste.

Dispose of this device through an approved waste disposal firm or through your local waste facility. When discarding the device, comply with the rules and regulations that apply in your country. If in doubt, consult your local waste disposal facility.



