



**the  
t.mix**

Source Mix IR  
IR volume control

Musikhaus Thomann  
Thomann GmbH  
Hans-Thomann-Straße 1  
96138 Burgebrach  
Germany  
Telephone: +49 (0) 9546 9223-0  
E-mail: [info@thomann.de](mailto:info@thomann.de)  
Internet: [www.thomann.de](http://www.thomann.de)

16.10.2018, ID: 427362

# Table of contents

<b>1</b>	<b>General information</b> .....	<b>4</b>
	1.1 Further information.....	5
	1.2 Notational conventions.....	6
	1.3 Symbols and signal words.....	7
<b>2</b>	<b>Safety instructions</b> .....	<b>8</b>
<b>3</b>	<b>Features</b> .....	<b>10</b>
<b>4</b>	<b>Installation and starting up</b> .....	<b>11</b>
<b>5</b>	<b>Connections and controls</b> .....	<b>13</b>
<b>6</b>	<b>Technical specifications</b> .....	<b>16</b>
<b>7</b>	<b>Plug and connection assignment</b> .....	<b>17</b>
<b>8</b>	<b>Protecting the environment</b> .....	<b>18</b>

# 1 General information

This manual contains important instructions for the safe operation of the unit. Read and follow the safety instructions and all other instructions. Keep the manual for future reference. Make sure that it is available to all those using the device. If you sell the unit please make sure that the buyer also receives this manual.

Our products are subject to a process of continuous development. Thus, they are subject to change.

## 1.1 Further information

On our website ([www.thomann.de](http://www.thomann.de)) you will find lots of further information and details on the following points:

Download	This manual is also available as PDF file for you to download.
Keyword search	Use the search function in the electronic version to find the topics of interest for you quickly.
Online guides	Our online guides provide detailed information on technical basics and terms.
Personal consultation	For personal consultation please contact our technical hotline.
Service	If you have any problems with the device the customer service will gladly assist you.

## 1.2 Notational conventions

This manual uses the following notational conventions:

### Letterings

The letterings for connectors and controls are marked by square brackets and italics.

**Examples:** *[VOLUME]* control, *[Mono]* button.

### Instructions


The individual steps of an instruction are numbered consecutively. The result of a step is indented and highlighted by an arrow.

**Example:**

- 1.** ▶ Switch on the device.
- 2.** ▶ Press *[Auto]*.
  - ⇒ Automatic operation is started.
- 3.** ▶ Switch off the device.

## 1.3 Symbols and signal words

In this section you will find an overview of the meaning of symbols and signal words that are used in this manual.

Signal word	Meaning
<b>DANGER!</b>	This combination of symbol and signal word indicates an immediate dangerous situation that will result in death or serious injury if it is not avoided.
<b>NOTICE!</b>	This combination of symbol and signal word indicates a possible dangerous situation that can result in material and environmental damage if it is not avoided.
Warning signs	Type of danger
	Warning – danger zone.

## 2 Safety instructions

### Intended use

This device is used to adjust the volume of audio signals with line level. Use the device only as described in this user manual. Any other use or use under other operating conditions is considered to be improper and may result in personal injury or property damage. No liability will be assumed for damages resulting from improper use.

This device may be used only by persons with sufficient physical, sensorial, and intellectual abilities and having corresponding knowledge and experience. Other persons may use this device only if they are supervised or instructed by a person who is responsible for their safety.

### Safety



#### **DANGER!**

#### **Danger for children**

Ensure that plastic bags, packaging, etc. are disposed of properly and are not within reach of babies and young children. Choking hazard!

Ensure that children do not detach any small parts (e.g. knobs or the like) from the unit. They could swallow the pieces and choke!

Never let children unattended use electrical devices.





**NOTICE!**

**External power supply**

The device is powered by an external power supply. Before connecting the external power supply, ensure that the input voltage (AC outlet) matches the voltage rating of the device and that the AC outlet is protected by a residual current circuit breaker. Failure to do so could result in damage to the device and possibly the user.

Unplug the external power supply before electrical storms occur and when the device is unused for long periods of time to reduce the risk of electric shock or fire.



**NOTICE!**

**Operating conditions**

This device has been designed for indoor use only. To prevent damage, never expose the device to any liquid or moisture. Avoid direct sunlight, heavy dirt, and strong vibrations.

### 3 Features

- Stereo volume control for line level audio devices.
- RCA in and outputs
- Plug-in power supply and infrared remote control included
- Robust metal housing

## 4 Installation and starting up

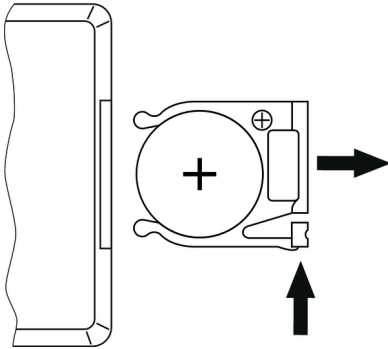
Unpack and carefully check that there is no transportation damage before using the unit. Keep the equipment packaging. To fully protect the device against vibration, dust and moisture during transportation or storage use the original packaging or your own packaging material suitable for transport or storage, respectively.

Create all connections while the device is off. Use the shortest possible high-quality cables for all connections. Take care when running the cables to prevent tripping hazards.

### **Infrared sensor for the remote control**

The infra red receiver for the IR remote control signals is located on the front panel of the device. Make sure that it is not obstructed.

### Inserting the battery into the remote control



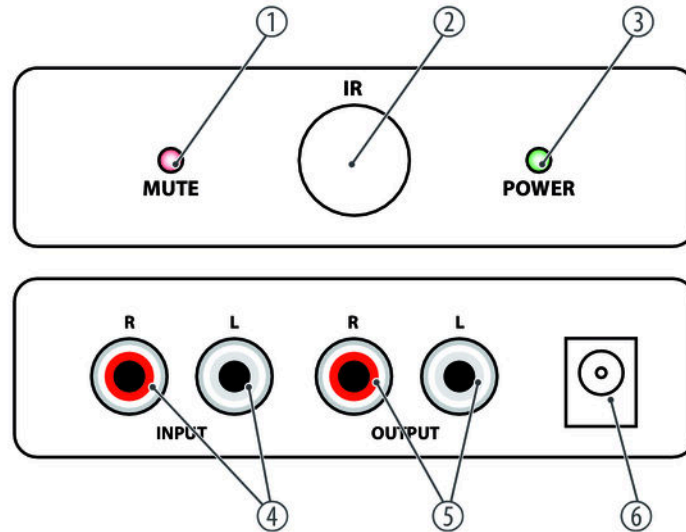
Press the lock of the battery holder to the centre of the housing and pull out the battery holder like a drawer. Insert the battery. The battery is correct if the positive pole points to the housing base of the remote control. Slide the battery holder back into the remote until it clicks into place.

When shipping, the battery is already installed in the remote and protected against discharge by a transparent plastic foil. Remove the plastic foil prior to first use.

### Starting up

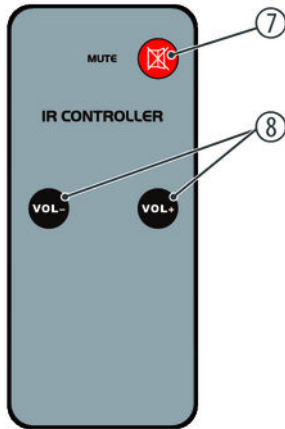
1. ➤ Connect the signal source (such as tuner or DVD player) to the *[INPUT]*.
2. ➤ Connect the *[OUTPUT]* to an amplifier or powered speakers.
3. ➤ Connect the plug-in power supply to the mains and the device.

## 5 Connections and controls



Source Mix IR

1	<i>[MUTE]</i> The LED indicates that the output is muted.
2	<i>[IR]</i> Infrared sensor for the remote control signals.
3	<i>[POWER]</i> The LED indicates that the device is connected to the power grid.
4	<i>[INPUT]</i> RCA sockets as signal inputs for left and right stereo channels
5	<i>[OUTPUT]</i> RCA sockets as signal outputs for left and right stereo channels
6	<i>[DC 12V]</i> Connector for the supplied plug-in power supply.

**Remote control**

7 [MUTE]

Mutes or unmutes the output

8 [VOL+], [VOL-]

Buttons for increasing / decreasing the volume.

## 6 Technical specifications

Voltage supply	Plug-in power supply (12 V / 150 mA $\overline{\text{AC}}$ ), centre positive
Input level	max. 1,65 V
Input impedance	47 k $\Omega$
Output level	max. 2 V
Frequency range	20 Hz...20 kHz
Signal-to-noise ratio	> 90 dB
THD	0.2 %
Dimensions (W × H × D)	95 mm × 25 mm × 68 mm (15.35in. × 15.55in. × 5.31in.)
Weight	0.15 kg
Battery (remote control)	CR 2025



## 7 Plug and connection assignment

### Introduction

This chapter will help you select the right cables and plugs to connect your valuable equipment in such a way that a perfect sound experience is ensured.

Please note these advices, because especially in 'Sound & Light' caution is indicated: Even if a plug fits into the socket, an incorrect connection may result in a destroyed power amp, a short circuit or 'just' in poor transmission quality!

### RCA connection



Drawing and table indicate the pin assignment of an RCA plug.

1	Signal
2	Ground, shielding

## 8 Protecting the environment

### Disposal of the packaging material



For the transport and protective packaging, environmentally friendly materials have been chosen that can be supplied to normal recycling.

Ensure that plastic bags, packaging, etc. are properly disposed of.

Do not just dispose these materials with your normal household waste, but make sure that they are fed to a recovery. Please follow the notes and markings on the packaging.

### Disposal of batteries



Batteries must not be disposed of as domestic waste or thrown into fire. Dispose of the batteries according to national or local regulations regarding hazardous waste. To protect the environment, dispose of empty batteries at your retail store or at appropriate collection sites.

### Disposal of your old device



This product is subject to the European Waste Electrical and Electronic Equipment Directive (WEEE) in its currently valid version. Do not dispose with your normal household waste.

Dispose this device through an approved waste disposal firm or through your local waste facility. When discarding the device, comply with the rules and regulations that apply in your country. If in doubt, consult your local waste disposal facility.









