

# ING 20 | ING 30

UHF IN EAR MONITOR SYSTEMS  
SISTEMI IN EAR MONITOR UHF  
UHF IN EAR MONITOR SYSTEME

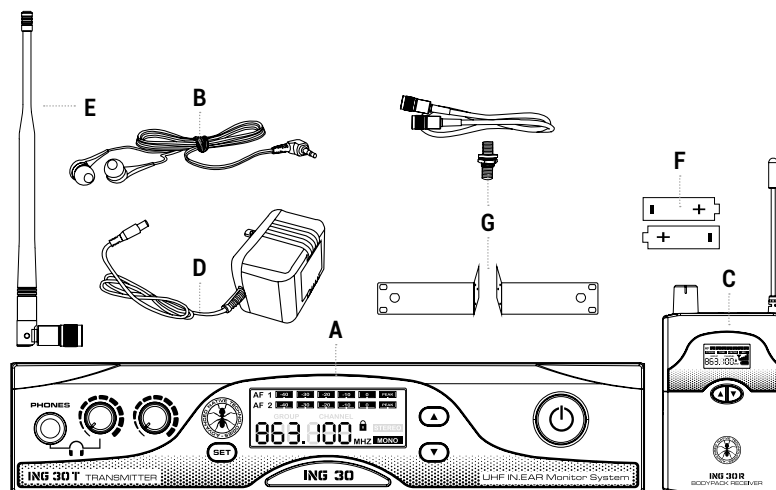
## CONTENTS

1	Introduction	4
2	Description	4
2.1	ING 20T/ING 30T transmitter	4
2.2	ING 20R/ ING 30R beltpack receiver	6
3	System setup	8
3.1	Transmitter setup	8
3.2	Beltpack receiver setup	9
4	Troubleshooting	11
5	Technical specifications	12
6	Notes	37

The warnings in this manual must be observed together with the "User manual - Section 2".

## PACKAGE CONTENT

- 1x ING 20T or ING 30T transmitter - **A**
- 1x PE-40 Earphones with accessories - **B**
- 1x ING 20R or ING 30R receiver - **C**
- 1x External power supply - **D**
- 1x Antenna with BNC connector - **E**
- 2x 1.5 Volts AA batteries - **F**
- 2x 19" standard rack mounting kit - **G**
- 1x User manual - Section 1
- 1x User manual - Section 2



**Note:** for both models are available two versions - the standard one (PE-40) and that with **Beyerdynamic FIRE ONE** earphones, including its accessory kit and case cod. 150105007 (ING 20) - cod. 150105008 (ING 30).

## 1 | INTRODUCTION

Thank you for choosing a **A.N.T - Advanced Native Technologies** - product!  
In our **ING** series IEM systems we have put our passion and our technological background gained over the years, to offer products that suit your needs, maintaining the quality over time.

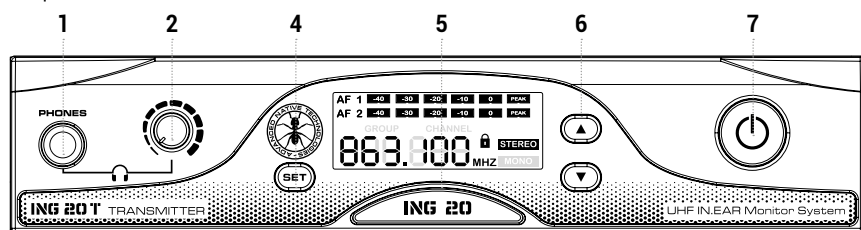
Please, dedicate some minutes to read this instruction manual in order to quickly achieve the best performances from this product.

For safety precautions, warranty and disposal, please refer to attached Section 2.

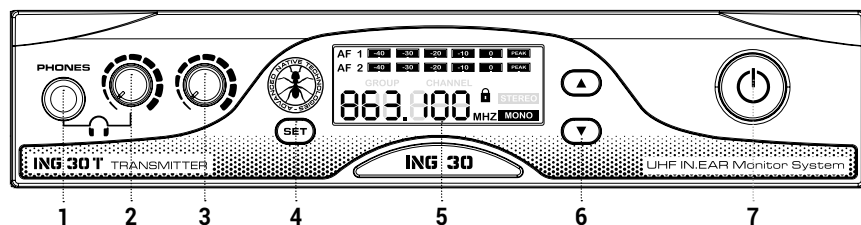
For further information about all **A.N.T** products catalog, please visit our website:

[www.ant-intomusic.com](http://www.ant-intomusic.com)

## 2 | DESCRIPTION



FRONT PANEL



### 2.1 ING 20T/ING 30T TRANSMITTER

#### 1 PHONES

To monitor singer/musician listening, please connect headphones/earphones to this output.

#### 2 HEADPHONE LEVEL

Use this control to adjust PHONES output level. Since high volume listening may permanently damage your hearing, before each session set the volume to a minimum, then turn it up slowly.

#### 3 INPUT LEVEL (ING 30T only)

Adjusts the sensitivity of AF1 and AF2 transmitter inputs signals.

Turn the knob clockwise to increase the volume, and counterclockwise to decrease it.

#### 4 SET

Press this button to select functions, and to set transmitter parameters values.

#### 5 LCD

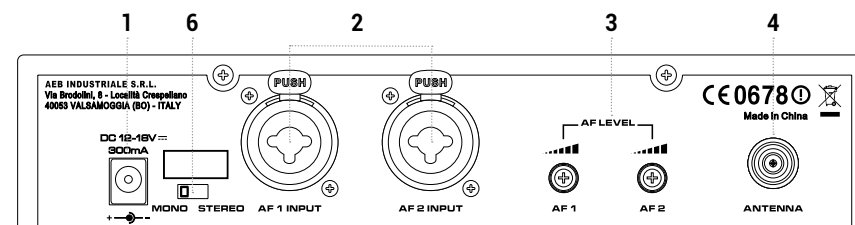
The display shows indicators of audio levels (AF1 and AF2), the number of Group and Channel, the STEREO / MONO mode and lock.

#### 6 UP/DOWN

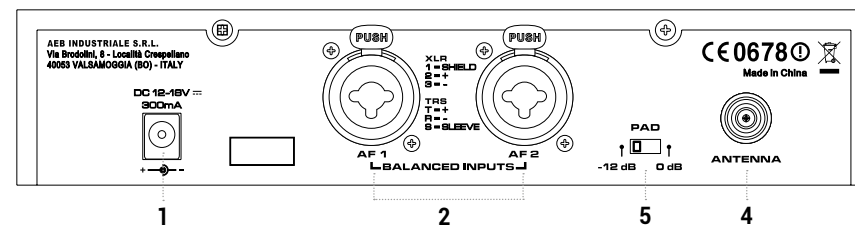
Use these buttons to select higher or lower values/functions for each parameter.

#### 7 POWER

Press it for 2 seconds to turn ON and OFF the unit.



REAR PANEL



#### 1 "DC 12-18V" POWER SOCKET

Connect to this socket only the supplied power supply.

#### 2 "AF1 INPUT" & "AF2 INPUT" CONNECTORS

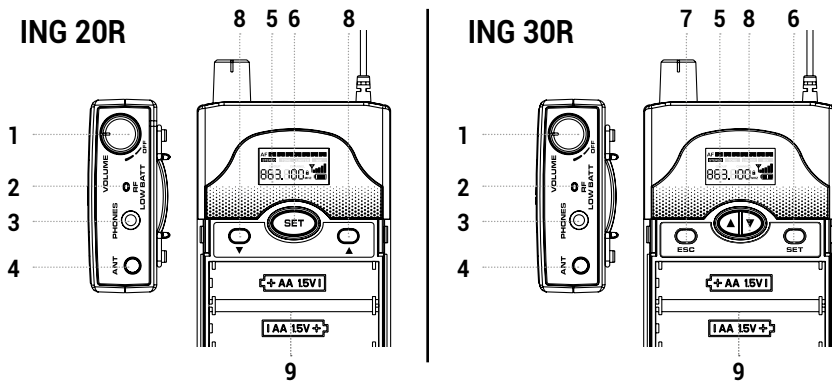
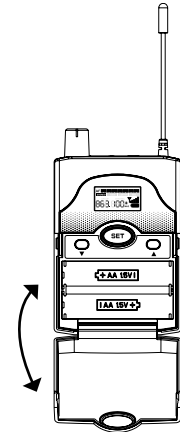
Balanced audio inputs with "COMBO" (XLR-F/JACK da 6,35mm) connectors for signals to be transmitted. For MONO signal, use AF2 Input only.

- 3 "AF LEVEL" AF 1 & AF2 INPUT LEVELS (ING 20T only)**  
These controls allow you to adjust the signal levels of inputs AF1 and AF2.
- 4 ANTENNA SOCKET**  
Connect the supplied antenna to this BNC socket.
- 5 PAD (ING 30T only)**  
This selector allows to reduce the input signal by 12dB.
- 6 MONO/STEREO (ING 20T only)**  
This selector allows to choose between Mono or Stereo listening. In the latter case the signals of AF1 and AF2 inputs are independent, while in the mono mode both earphones have the same signal (s).

- 4 FIXED ANTENNA**  
For signal receiving.
- 5 LCD**  
The display shows the levels of audio, signal reception, and battery charge, numeric data for GROUP and CHANNEL and the lock. The STEREO mode indicator is active only when this mode is selected in the transmitter. ING 30R receiver has also status indicators of TONE, LIMITER and MIX functions, which are described later.

- 6 SET**
- Press this button to select functions, and to set receiver parameters values.
- 7 ESC** (ING 30R only)  
Press this button to return to the main menu.
- 8 UP/DOWN**
- Use these buttons to select higher or lower values/functions for each parameter.

- 9 BATTERY COMPARTMENT**  
To replace the batteries, lightly press on the sides of the compartment cover and lift forward. Take out the discharged batteries, and insert two new batteries (respecting the figure in the compartment) then close the lid. Remove the batteries from the receiver when not in use for extended periods.

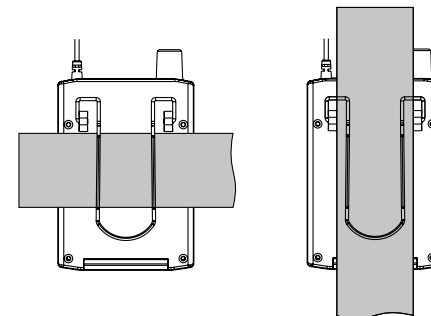


## 2.2 | ING 20R/ING 30R BELTPACK RECEIVER

- 1 VOLUME CONTROL WITH POWER SWITCH**  
To turn on the receiver, turn the knob to the right until you hear a click, to turn it off completely rotated to the left until it clicks. Turn the knob to the right to increase the volume, and to the left to decrease it.  
**CAUTION:** High listening volume may permanently damage your hearing.
- 2 RF/LOW BATT LED**  
With correct reception this indicator is lit green, it blinks red when the battery is low.
- 3 PHONES**  
3.5mm stereo mini-jack connector for earphones/headphones.

### WEARING THE BELTPACK RECEIVER:

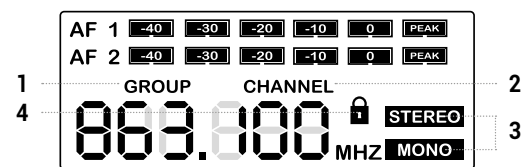
Clip the receiver to a belt or to the shoulder strap of your guitar. For better fastening reliability it's preferable to secure it as shown in the figure, then fasten it in a way that the belt is tight from the clip.



## 3 | SYSTEM SETUP

For optimal transmission, the transmitter height must be at least 1 m (3ft) and put the antenna vertically, upward. Avoid placing the transmitter close to metal objects or to digital devices (CD players, computers, console, and so on). The transmitter and receiver must be placed to have a straight "visual contact".

### 3.1 | TRANSMITTER SETUP



The main screen of the display shows radio frequency, the selected operating mode (MONO/STEREO), the transmission level of the AF1 and AF2 signals and the lock, if it's activated.

#### 1 GROUP SELECTION GROUP

Press the SET button until when "GROUP" appears in the display. Use the up and down buttons to select the desired group of frequency, then press again SET to confirm the choice.

#### 2 CHANNEL SELECTION CHANNEL

Press the SET button until when "CHANNEL" appears in the display. Use the up and down buttons to select the desired channel, then press again SET to confirm the choice. Simultaneously using more systems, it's better to have them on the same group but on different channels.

#### 3 STEREO OR MONO OPERATING MODE (ING 30T only) STEREO MONO

Press the SET button until when "STEREO" or "MONO" appears in the display. Use the up and down buttons to select the desired mode, then press again SET to confirm the choice. In Mono mode you will listen to AF2 signal, while in STEREO you listen to both AF1 and AF2 signals.

**ATTENTION:** for ING 20T the selection for MONO/STEREO mode is mechanically achieved by a switch on transmitter rear panel.

#### 4 LOCK ACTIVATION AND DEACTIVATION

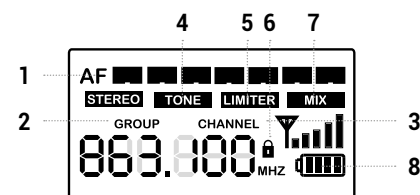
Press the SET button until when the icon "LOCK" start flashing in the display, then

press the up and down buttons to confirm the choice.

To deactivate LOCK and edit the settings, you need to press the button "SET" for 2 seconds.

**ATTENTION:** when LOCK icon is displayed, you can see the unit settings, but these settings are not editable.

### 3.2 | BELTPACK RECEIVER SETUP



The main screen of the display shows radio frequency, the selected operating mode (MONO/STEREO), the transmission level of the AF1 and AF2 signals, batteries status, and the lock, if it's activated. ING 30R display shows also information about TONE, LIMITER, and MIX features.

To do your settings, use the SET button and the up and down buttons. In ING 30R there is also an ESC button, useful to immediately go back to main menu. Press on the sides of the lid to lift the lid, and to access to the hidden buttons: ESC and SET (ING 30R) or up and down (ING 20R).

#### 1 AF1 AND AF2 CHANNELS VOLUME BALANCE (ING 30T only)

Press the up/down buttons to adjust volume balance between AF1 and AF2 of a Stereo signal. If the transmitter is in Mono mode, using the up/down buttons you set the position of the signal in the Stereo field.

#### 2 GROUP SELECTION GROUP

Press the SET button for 2 seconds until when "GROUP" starts flashing in the display. Use the up and down buttons to select the desired frequency group, then press again ESC (ING 30R) or SET (ING 20R) to exit the menu.

#### 3 CHANNEL SELECTION CHANNEL

Press the SET button for 2 seconds to access the settings menu, then press again SET until when "CHANNEL" starts flashing in the display. Use the up and down buttons to select the desired frequency group, then



press again ESC (ING 30R) or SET (ING 20R) to exit the menu.  
 Simultaneously using more systems, it's better to have them on the same group but on different channels.  
 If the transmitter is in Mono mode, using the up/down buttons you set the position of the signal in the Stereo field.

#### 4 TONE SELECTION (ING 30T only) TONE

Press the SET button for 2 seconds to access the settings menu, then press again SET until when "TONE" starts flashing in the display. Use the up and down buttons to activate (ON) or deactivate (OFF) TONE feature.  
 TONE ON boosts high frequencies.

#### 5 LIMITER SELECTION (ING 30T only) LIMITER

Press the SET button for 2 seconds to access the settings menu, then press again SET until when "LIMITER" starts flashing in the display. Use the up and down buttons to activate (ON) or deactivate (OFF) LIMITER feature. LIMITER ON reduces sudden peaks, thus protecting your hearing.

#### 6 LOCK (ING 30T only)

Press the SET button for 2 seconds to access the settings menu, then press again SET until when the lock icon starts flashing. Use the up and down buttons to activate (ON) or deactivate (OFF) the lock.

**ATTENTION: when LOCK icon is displayed, you can see the unit settings, which are not editable.**

#### 7 MIX (ING 30T only) MIX

Press the SET button for 2 seconds to access the settings menu, then press again SET until when "MIX" starts flashing in the display. Use the up and down buttons to activate (ON) or deactivate (OFF) MIX feature.

MIX ON allows to listen both transmitter input signals - AF1 and AF2 - using the supplied earphones.

To balance the signal between AF1 and AF2 inputs, press the up and down buttons. You can choose among 31 available positions:

In MIX -0- position, AF1 and AF2 input signals are balanced.

Press the (button arrow up) to increase AF1 signal versus AF2 signal:

1-, 2-, 3-, 4-, 5-, 6-, 7-, 8-, 9-, A-, b-, C-, d-, E-, and F- (max)

Press the (button arrow down) to increase AF2 signal versus AF1 signal:

-1, -2, -3, -4, -5, -6, -7, -8, -9, -A, -b, -C, -d, -E, and -F (max)

#### 8 BATTERIES LEVEL INDICATOR

This icon displays in 4 steps the battery charge level. When inside the icon there's no bars present and LOW BATT LED flashes, please immediately replace the batteries.

## 4 | TROUBLESHOOTING

PROBLEM	LEDS	SOLUTION
No sound or very low sound level.	Power LED turned off.	Make sure the batteries are not discharged and that the receiver is turned on.
Transmitter LCD turned off.		Check the connection between power supply and the transmitter. Turn on the transmitter.
Receiver RF indicator is off.		Make sure that transmitter and receiver are set to the same frequency. Reduce the distance between transmitter and receiver, and verify that the two devices are in direct visual contact. Make sure that the transmitter antenna is mounted correctly.
Receiver turned on and RF light on.		Raise the volume of the receiver and check earphones connection. Check the input level of the transmitter and, possibly, increase it.
Distortions or unwanted interferences.	Receiver RF antenna lit.	Increase the distance from possible causes of interference (digital control devices, such as CD player, console ...). Use a different frequency.
Distorted sound.	Receiver LOW BATT LED flashes. Too high level indicator of the transmitter.	Replace the batteries. Turn down the volume control of the transmitter or the volume of the source device.
Listening to a Mono signal only from one headphones side.	Transmitter is in Stereo mode.	Set the transmitter in Mono mode.
Mode Stereo and MIX activated: you want to hear only the right input signal transmitter, even if the transmitter is in Stereo mode and both the transmitter inputs are used. (ING 30 only).	Transmitter is in Mono mode.	Set the transmitter in Stereo mode.
Listening to two independent mono signals in left and right earphones, but you want to hear the signals in both earphones (ING 30 only).		Activate MIX in the transmitter.

## 5 | TECHNICAL SPECIFICATIONS

TRANSMITTER	ING 20T	ING 30T
Modulation	FM stereo	FM stereo
Range of frequencies	823-832MHz + 863-865MHz	823-832MHz + 863-865MHz
Channels available	96 (8 groups with 12 channels each)	96 (8 groups with 12 channels each)
Output power	10mW	10mW
Frequency response	50Hz - 15.000Hz ±3dB	50Hz - 15.000Hz ±3dB
Signal-to-noise ratio	≥80dB	≥80dB
Inputs	2 x balanced XLR	2 x balanced COMBO - XLR and 6,35mm. (1/4") jack
Input impedance	10K Ohm	10K Ohm
Antenna connectors	BNC socket	BNC socket
Front panel controls	Headphones volume, SET and up/down buttons, power button	Headphones volume, input level, SET and up/down buttons, power button
Rear panel controls	2 x AF LEVEL, MONO/STEREO switch	0/-12dB PAD switch
Indicators	Multi-function LCD	Multi-function LCD
Dimensions (W x H x D)	212 x 44 x 96 mm 8.34" x 1.73" x 3.77"	212 x 44 x 96 mm 8.34" x 1.73" x 3.77"
Weight	560 g - 19.7 oz	560 g - 19.7 oz

BELTPACK RECEIVER	ING 20R	ING 30R
Modulation	FM stereo	FM stereo
Range of frequencies	823-832MHz + 863-865MHz	823-832MHz + 863-865MHz
Channels available	96 (8 groups with 12 channels each)	96 (8 groups with 12 channels each)
Frequency response	50Hz - 15.000Hz ±3dB	50Hz - 15.000Hz ±3dB
Signal-to-noise ratio	≥80dB	≥80dB
Audio outputs	3,5mm stereo mini-jack	3,5mm stereo mini-jack
Max output level	50mW x 2	50mW x 2
Controls	Volume, up, down, SET	Volume, up, down, ESC, SET
Indicators	Multi-function LCD, LOW battery, RF	Multi-function LCD, LOW battery, RF
Power supply	2 AA 1.5V batteries	2 AA 1.5V batteries
Operating time	> 12h, battery-dependent	> 12h, battery-dependent
Dimensions (W x H x D)	64 x 90 x 23 mm 2.51" x 3.54" x 0.9"	64 x 90 x 23 mm 2.51" x 3.54" x 0.9"
Weight	95 g - 0.09 oz	95 g - 0.09 oz

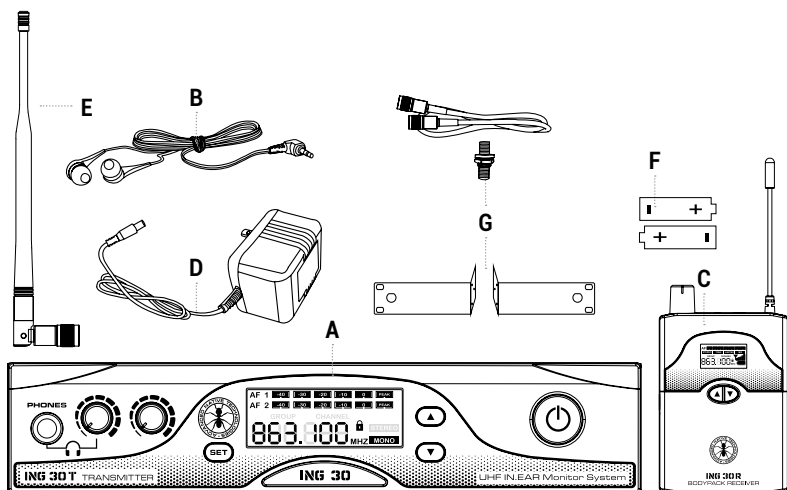
## INDICE

1	Introduzione	15
2	Descrizione	15
2.1	Trasmettitore ING 20T/ ING 30T	16
2.2	Ricevitore Beltpack ING 20R/ ING 30R	18
3	Impostazione del sistema	20
3.1	Impostazione del trasmettitore	20
3.2	Impostazione del ricevitore beltpack	21
4	Soluzione dei problemi	24
5	Caratteristiche tecniche	25
6	Note	37

Le avvertenze nel presente manuale devono essere osservate congiuntamente al **"Manuale d'uso - Sezione 2"**.

## PACKAGE CONTENT

- 1x Trasmettitore ING 20T o ING 30T - **A**
- 1x Auricolari PE-40 completi di accessori - **B**
- 1x Ricevitore ING 20R o ING 30R - **C**
- 1x Alimentatore esterno - **D**
- 1x Antenna con connettore BNC - **E**
- 2x Batterie stilo 1,5 Volts AA - **F**
- 2x Kit di montaggio per l'installazione a rack - **G**
- 1x Manuale d'uso - Sezione 1
- 1x Manuale d'uso - Sezione 2



**Nota:** per entrambi i modelli è disponibile sia la versione standard standard (PE-40) che quella con auricolari **BeyerDynamic FIRE ONE**, con relativo kit di accessori ed astuccio cod. 150105007 (ING 20) - cod. 150105008 (ING 30).

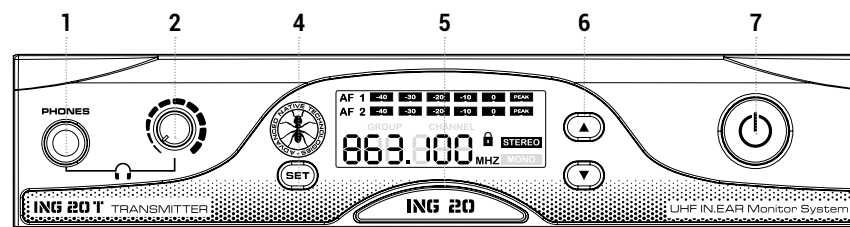
## 1 | INTRODUZIONE

Grazie per aver acquistato un prodotto **A.N.T - Advanced Native Technologies!** Nei sistemi IEM della serie **ING** abbiamo profuso la nostra passione ed il nostro background maturato nel corso degli anni per offrirvi un prodotto che soddisfi le vostre esigenze e mantenga la sua qualità nel tempo. Ritagliatevi qualche minuto per leggere questo manuale di istruzioni in modo tale da ottenere il massimo delle prestazioni da questo prodotto.

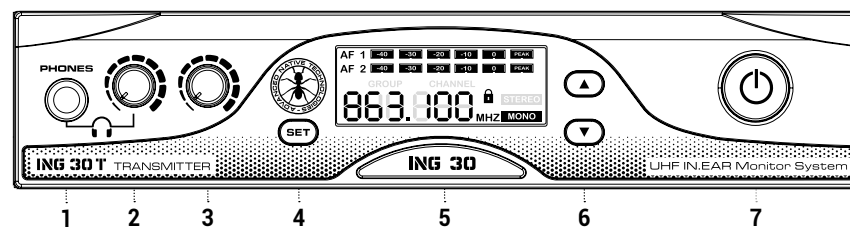
Per le istruzioni relative a sicurezza, le precauzioni, la garanzia e lo smaltimento fate riferimento all'allegato sezione 2.

Per ulteriori informazioni su tutti i prodotti del catalogo **A.N.T** consultate il nostro sito: [www.ant-intomusic.com](http://www.ant-intomusic.com)

## 2 | DESCRIZIONE



PANNELLO ANTERIORE





## 2.1 TRASMETTITORE ING 20T/30T

### 1 PRESA PHONES 🎧

Collegate una cuffia a questa uscita per monitorare l'ascolto del cantante/musicista.

### 2 LIVELLO DELLA CUFFIA

Utilizzate questo potenziometro per regolare il livello dell'uscita PHONES. L'ascolto a volumi elevati può danneggiare irreversibilmente l'udito, prima di ogni sessione impostate il volume al minimo, quindi alzate gradualmente.

### 3 LIVELLO DI INGRESSO (solo ING 30T)

Regola la sensibilità dei segnali degli ingressi AF1 e AF2 del trasmettitore.

Ruotare la manopola in senso orario per aumentare il volume e in senso antiorario per diminuirlo.

### 4 SET ⏸️

Premete questo tasto per selezionare le funzioni e stabilire i valori dei parametri del trasmettitore.

### 5 DISPLAY MULTI-FUNZIONE

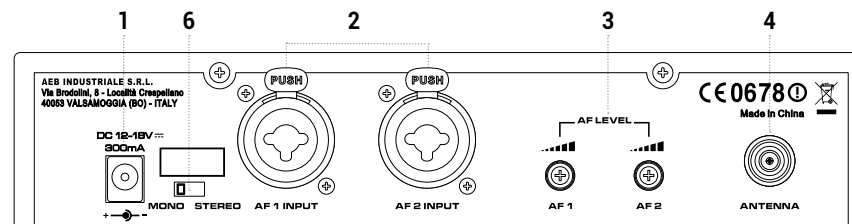
Nel display sono presenti gli indicatori dei livelli audio (AF1 ed AF2), del numero di GROUP e CHANNEL, il modo STEREO/MONO ed il lucchetto di blocco.

### 6 SU/GIÙ ⬆️ ⬇️

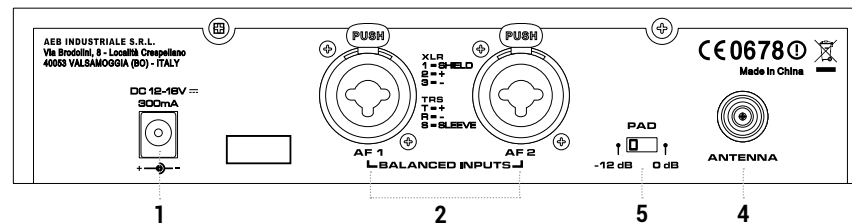
Usate questi tasti per scegliere valori/funzioni superiori o inferiori di qualsiasi parametro.

### 7 PULSANTE DI ACCENSIONE 🔌

Per l'accensione e lo spegnimento dell'unità premete questo pulsante per 2".



PANNELLO POSTERIORE



### 1 ALIMENTAZIONE "DC 12-18V"

Collegate a questo ingresso esclusivamente l'alimentatore in dotazione.

### 2 CONNETTORI "AF1 INPUT" & "AF2 INPUT"

Ingressi audio bilanciati con prese "COMBO" (XLR-F/JACK da 6,35mm). Utilizzate AF2 INPUT per collegare un segnale di ingresso MONO.

### 3 LIVELLI DI INGRESSO "AF LEVEL" AF 1 & AF2 (solo ING 20T)

Consentono di regolare il livello del segnale degli ingressi AF1 e AF2.

### 4 PRESA ANTENNA

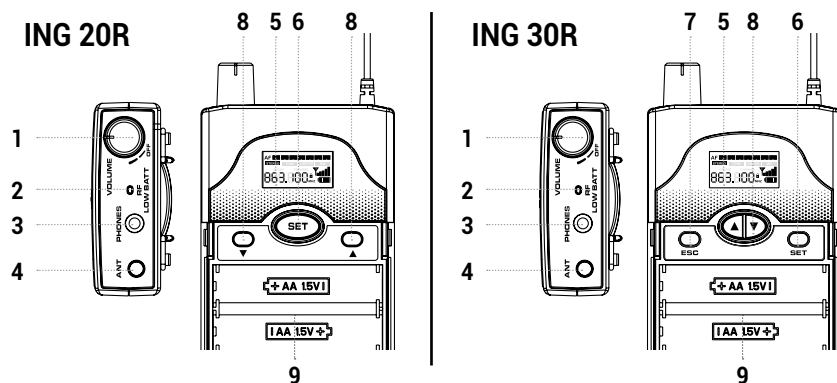
Collegate l'antenna in dotazione a questa presa BNC da pannello.

### 5 PAD (solo ING 30T)

Questo selettore consente di attenuare il segnale in ingresso di 12dB.

### 6 MONO/STEREO (solo ING 20T)

Questo selettore consente di scegliere l'ascolto Mono o Stereo. In quest'ultimo caso i segnali degli ingressi AF1 e AF2 sono indipendenti, mentre nella modalità mono in entrambi gli auricolari è presente il segnale dell'ingresso AF2.



## 2.2 | RICEVITORE BELTPACK ING 20R/ING 30R

### 1 REGOLATORE DI VOLUME CON INTERRUTTORE DI ACCENSIONE

Per accendere il ricevitore ruotate la manopola verso destra finché sentite un clic, per spegnerlo ruotate totalmente verso sinistra finché sentite un clic. Girate la manopola verso destra per aumentare il volume e verso sinistra per diminuirlo.

**ATTENZIONE:** l'ascolto a volume alto può danneggiare irreversibilmente l'udito.

### 2 LED RF/LOW BATT

Questo indicatore segnala la corretta ricezione (verde), o lampeggia quando la batteria è scarica (rosso).

### 3 USCITA PHONES

Uscita per auricolare/cuffia con connettore mini-jack stereo da 3,5mm.

### 4 ANTENNA FISSA

Consente la ricezione del segnale.

### 5 DISPLAY MULTI-FUNZIONE

Nel display sono presenti gli indicatori dei livelli audio, di ricezione e di carica della batteria, le indicazioni numeriche di GROUP e CHANNEL ed il lucchetto di blocco. L'indicatore della modalità STEREO è attivo solo quando questa modalità è selezionata nel trasmettitore. Nel modello ING 30R sono presenti anche gli indicatori delle funzioni TONE, LIMITER e MIX, descritte più avanti.

### 6 SET

Premete questo tasto per selezionare le funzioni e stabilire i valori dei parametri del ricevitore.

### 7 ESC (solo ING 30R)

Premete questo tasto per tornare al menù principale.

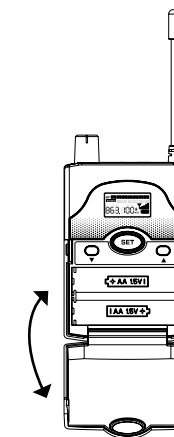
### 8 SU/GIÙ

Usate questi tasti per scegliere valori/funzioni superiori o inferiori per ogni parametro.

### 9 VANO BATTERIE

Per sostituire le batterie, premete leggermente sui lati del coperchio del vano e sollevate in avanti.

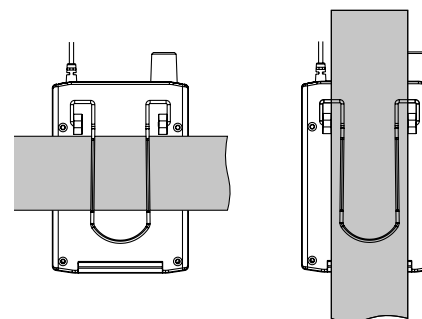
Estraete le batterie scariche ed inseritene due nuove (rispettando la figura nel comparto) poi chiudete il coperchio. Rimuovete le batterie dal ricevitore in caso di non utilizzo per periodi prolungati.



### FISSARE IL RICEVITORE BELTPACK:

Agganciate il ricevitore ad una cinghia o alla tracolla della chitarra.

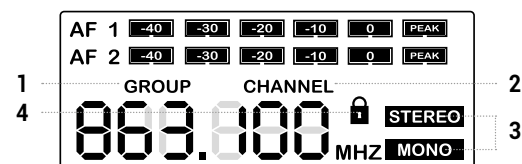
Per una migliore stabilità è preferibile assicurarli come mostrato nella figura, infilandolo completamente in modo tale che la cinghia sia stretta dalla clip.



## 3 | IMPOSTAZIONE DEL SISTEMA

Per una trasmissione ottimale, collocate il trasmettitore ad almeno 1 m di altezza e mettete l'antenna in verticale, verso l'alto. Non collocate il trasmettitore in prossimità di oggetti metallici né di dispositivi a controllo digitale (lettori CD, computer, consolle e così via). Trasmettitore e ricevitore devono essere posti in "contatto visivo" diretto.

### 3.1 | IMPOSTAZIONE DEL TRASMETTITORE



La schermata principale del display mostra la radiofrequenza, il modo di funzionamento selezionato (Mono/Stereo), il livello di trasmissione del segnale AF1 AF2 e il blocco del lucchetto quando è attivo.

#### 1 SELEZIONE DEL GRUPPO GROUP

Premete il tasto SET finché sul display appare la scritta "GROUP". Utilizzate i tasti su/giù per scegliere il gruppo di frequenza desiderato poi premete di nuovo SET per confermare la scelta.

#### 2 SELEZIONE DEL CANALE CHANNEL

Premete il tasto SET finché sul display appare la scritta "CHANNEL". Utilizzate i tasti su/giù per scegliere il canale desiderato poi premete di nuovo SET per confermare la scelta. Usando contemporaneamente più sistemi, è preferibile averli sullo stesso gruppo di frequenza ma su canali diversi.

#### 3 SELEZIONE DEL MODO DI FUNZIONAMENTO STEREO O MONO

(solo ING 30T only) STEREO

Premete il tasto SET finché sul display appare la scritta "STEREO o MONO". Utilizzate i tasti su/giù per scegliere la modalità desiderata poi premete di nuovo SET per confermare la scelta.

Nella modalità Mono ascolterete il segnale dell'ingresso AF2 mentre in STEREO ascolterete i segnali di entrambi i canali AF1 e AF2.

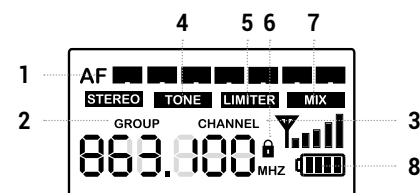
**ATTENZIONE:** per il modello ING 20T la selezione della modalità MONO/STEREO avviene in maniera meccanica tramite il selettore posto sul retro del trasmettitore.

#### 4 ATTIVAZIONE E DISATTIVAZIONE DELLA PROTEZIONE DELLE IMPOSTAZIONI

Premete il tasto SET finché sul display appare l'icona del lucchetto, quindi premete i tasti su/giù per bloccare o sbloccare il sistema. Per disattivarlo e operare di nuovo premete il tasto "SET" per 2 secondi.

**ATTENZIONE:** con il lucchetto attivo potete vedere le impostazioni del sistema ma non le potete modificare.

### 3.2 | IMPOSTAZIONE DEL RICEVITORE BELTPACK



La schermata principale del display mostra la radiofrequenza, il modo di funzionamento selezionato (MONO/STEREO), il livello di trasmissione del segnale AF1 ed AF2, lo stato di carica delle batterie ed il lucchetto. Il ricevitore ING 30R mostra anche le funzioni TONE, LIMITER e MIX.

Per procedere con le regolazioni operate con i controlli SET ed i tasti su/giù. Il ricevitore ING 30R ha anche il tasto ESC, per tornare subito al menu principale. Premete sui lati del coperchio per sollevarlo ed accedere ai tasti coperti ESC e SET (ING 30R) o ai tasti su e giù (ING 20R).

#### 1 BILANCIAMENTO DEL VOLUME DEI CANALI TRA AF1 E AF2

(solo ING 30T)

Premete i tasti su/giù per regolare il rapporto di volume tra i canali AF1 e AF2 di un segnale Stereo.

Se il trasmettitore è in modalità Mono, con i tasti su/giù stabilite la posizione del segnale nel fronte Stereo.

## 2 SELEZIONE DEL GRUPPO GROUP


Premete il tasto SET per 2" finché sul display inizia a lampeggiare la scritta "GROUP". Utilizzate i tasti su/giù per scegliere il gruppo di frequenza desiderato poi premete ESC (ING 30R) o SET (ING 20R) per uscire dal menù.

## 3 SELEZIONE DEL CANALE CHANNEL

Premete il tasto SET per 2" per accedere al menù poi premete di nuovo SET finché sul display inizia a lampeggiare la scritta "CHANNEL". Utilizzate i tasti su/giù per scegliere il canale desiderato poi premete ESC (ING 30R) o SET (ING 20R) per uscire dal menù.

Usando contemporaneamente più sistemi è preferibile averli sullo stesso gruppo di frequenza ma su canali diversi.

## 4 ATTIVAZIONE E DISATTIVAZIONE DELLA FUNZIONE TONE

(solo ING 30T)  TONE



Premete il tasto SET per 2" per accedere al menù impostazioni, poi premete di nuovo SET finché sul display inizia a lampeggiare la scritta "TONE". Utilizzate i tasti su/giù per attivare (ON) o disattivare (OFF) la funzione TONE. L'impostazione TONE ON consente di avere una enfattizzazione delle frequenze alte.

## 5 ATTIVAZIONE E DISATTIVAZIONE DELLA FUNZIONE LIMITER

(solo ING 30T)  LIMITER

Premete il tasto SET per 2" per accedere al menù impostazioni, poi premete di nuovo SET finché sul display inizia a lampeggiare la scritta "LIMITER". Utilizzate i tasti su/giù per attivare (ON) o disattivare (OFF) la funzione LIMITER. L'impostazione LIMITER ON permette di ridurre i picchi improvvisi per proteggere il vostro udito.

## 6 ATTIVAZIONE E DISATTIVAZIONE DEL BLOCCO DELLE IMPOSTAZIONI

(solo ING 30T)  

Premete il tasto SET per 2" per accedere al menù impostazioni, poi premete di nuovo SET finché sul display inizia a lampeggiare l'icona del lucchetto.

Utilizzate i tasti su/giù per attivare (ON) o disattivare (OFF) il blocco.

**ATTENZIONE:** con il lucchetto attivo potete vedere le impostazioni del sistema ma non le potete modificare.

## 7 ATTIVAZIONE E DISATTIVAZIONE DELLA FUNZIONE MIX

(solo ING 30T)  MIX

Premete il tasto SET per 2" per accedere al menù impostazioni, poi premete di nuovo SET finché sul display inizia a lampeggiare la scritta "MIX". Utilizzate i tasti su/giù per attivare (ON) o disattivare (OFF) la funzione MIX.

L'impostazione MIX ON permette di ascoltare entrambi i segnali di ingresso del

trasmettitore, AF1 e AF2, attraverso gli auricolari forniti in dotazione.

Premete i tasti su/giù per bilanciare il segnale tra i due ingressi AF1 e AF2, potete scegliere fra 31 posizioni disponibili:

Nella posizione MIX -0- i segnali di ingresso AF1 e AF2 sono bilanciati fra di loro.

Premete il tasto (freccia in su) per aumentare il segnale AF1 rispetto al segnale AF2: 1-, 2-, 3-, 4-, 5-, 6-, 7-, 8-, 9-, A-, b-, C-, d-, E-, F- (max).

Premete il tasto (freccia in giù) aumentate il segnale AF2 rispetto al segnale AF1: -1, -2, -3, -4, -5, -6, -7, -8, -9, -A, -b, -C, -d, -E, -F (max).

## 8 INDICATORE DI LIVELLO DELLE BATTERIE

Questa icona visualizza in 4 gradi il livello di carica delle batterie.

Quando all'interno dell'icona non è presente nessuna barra e l'indicatore LOW BATT lampeggia, sostituite immediatamente le batterie.



## 4 | SOLUZIONE DEI PROBLEMI

PROBLEMA	SPIE LUMINOSE	SOLUZIONE
Assenza di audio o volume troppo basso.	Display del ricevitore spento.	Assicuratevi che le batterie non siano scariche e che il ricevitore sia attivato.
Display del trasmettitore spento.		Controllate la connessione tra alimentatore e trasmettitore. Accendete il trasmettitore.
L'indicatore RF del ricevitore è spento.		Assicuratevi che trasmettitore e ricevitore siano impostati sulla stessa frequenza. Riducete la distanza tra trasmettitore e ricevitore e verificare che i due dispositivi siano in contatto visivo diretto. Assicuratevi che l'antenna del trasmettitore sia montata correttamente.
Ricevitore attivato e spia RF accesa.		Alzate il volume del ricevitore e controllate il collegamento delle cuffie.
Distorsioni o interferenze indesiderate.	Spia RF del ricevitore accesa.	Aumentate la distanza dalle possibili cause di interferenza (dispositivi a controllo digitale, quali lettore CD, consolle...). Usate una frequenza diversa.
Suono distorto.	Lampeggia il led LOW BATT del ricevitore. Indicatore di livello del trasmettitore troppo alto.	Sostituite le batterie  Abbassate il volume con il regolatore di livello del trasmettitore o il volume della sorgente in riproduzione.
Ascoltare il segnale Mono solo da un lato delle cuffie.	Il trasmettitore è in modo Stereo.	Mettete il trasmettitore in modo Mono.
Modo Stereo e MIX: volete sentire solo il segnale di ingresso destro del trasmettitore, anche se il trasmettitore si trova in modalità Stereo e usate entrambi gli ingressi del trasmettitore. (solo ING 30)	Il trasmettitore è in modo Mono.	Mettete il trasmettitore in modo Stereo.
Negli auricolari sinistro e destro ascoltate due segnali Mono indipendenti, ma volete ascoltarli in entrambi gli auricolari. (solo ING 30)		Mettete il trasmettitore in modo MIX.

## 5 | CARATTERISTICHE TECNICHE

TRASMETTITORE	ING 20T	ING 30T
Modulazione	FM stereo	FM stereo
Gamma di frequenze	823-832MHz + 863-865MHz	823-832MHz + 863-865MHz
Canali	96 (8 gruppi da 12 canali)	96 (8 gruppi da 12 canali)
Potenza in uscita	10mW	10mW
Risposta in frequenza	50Hz - 15.000Hz ±3dB	50Hz - 15.000Hz ±3dB
Rapporto segnale/rumore	≥80dB	≥80dB
Ingressi	2 x XLR bilanciato	2 x COMBO bilanciato, XLR & jack da 6,35mm
Impedenza di ingresso	10K Ohm	10K Ohm
Connettori di antenna	Presa BNC	Presa BNC
Controlli anteriori	Volume cuffia, tasti SET e su/giù, interruttore di accensione	Volume cuffia, livello di ingresso, tasti SET e su/giù, interruttore di accensione
Controlli posteriori	2 x AF LEVEL, interruttore MONO/STEREO	Interruttore PAD 0/-12dB
Indicatori	Display multi-funzione	Display multi-funzione
Dimensioni (L x H x P)	212 x 44 x 96 mm	212 x 44 x 96 mm
Peso	560 g	560 g

RICEVITORE BELTPACK	ING 20R	ING 30R
Modulazione	FM stereo	FM stereo
Gamma di frequenze	823-832MHz + 863-865MHz	823-832MHz + 863-865MHz
Canali	96 (8 gruppi da 12 canali)	96 (8 gruppi da 12 canali)
Risposta in frequenza	50Hz - 15.000Hz ±3dB	50Hz - 15.000Hz ±3dB
Rapporto segnale/rumore	≥80dB	≥80dB
Uscite audio	jack stereo da 3,5mm	jack stereo da 3,5mm
Max livello di uscita	50mW x 2	50mW x 2
Controlli	Volume, su, giù, SET	Volume, su, giù, ESC, SET
Indicatori	Display multi-funzione, LOW battery, RF	Display multi-funzione, LOW battery, RF
Alimentazione	2 batterie AA 1,5V	2 batterie AA 1,5V
Durata	> 12h, secondo le batterie usate	> 12h, secondo le batterie usate
Misure (L x H x P)	64 x 90 x 23 mm	64 x 90 x 23 mm
Peso	95 g	95 g

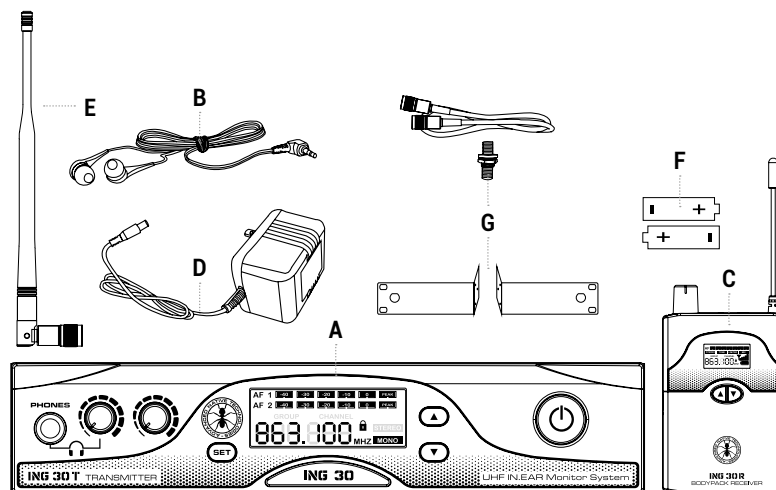
## INHALTSANGABE

1		EINLEITUNG	28
2		ANSCHLÜSSE, DISPLAYANZEIGEN, BEDIENELEMENTE	28
2.1		ING 20T/ ING 30T SENDER	28
2.2		TASCHENEMPFÄNGER ING 20R/ ING 30R	30
3		INBETRIEBNAHME	32
3.1		SENDER EINRICHTUNG	32
3.2		EMPFÄNGER EINRICHTUNG	33
4		PROBLEMBEHEBUNG	35
5		TECHNISCHE SPEZIFIKATIONEN	36
6		NOTIZEN	37

Es sind sowohl die Warnungen in diesem, wie auch der "Bedienungsanleitung Teil 2" zu beachten.

## KARTONINHALT

- 1 x ING 20T oder ING 30T Sender - **A**
- 1 x Kopfhörer nebst Zubehör - **B**
- 1 x ING 20R oder ING 30R Empfänger - **C**
- 1 x externes Steckernetzteil - **D**
- 2 x 1.5 Volt AA Batterien - **F**
- 1 x Antenne - **E**
- 2 x 19" Rack-Einbaukit - **G**
- 1 x Bedienungsanleitung - Teil 1
- 1 x Bedienungsanleitung - Teil 2

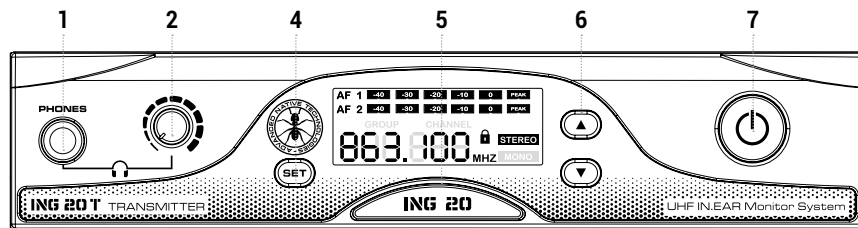


**INFO:** Beide Modelle sind in zwei Varianten verfügbar - Jeweils mit Standardkopfhörer oder **BeyerDynamic FIRE ONE** Kopfhörer, inklusive Zubehör-Set und Transporthülle, Artikelnummern: 150105007 (ING 20) - cod. 150105008 (ING 30).

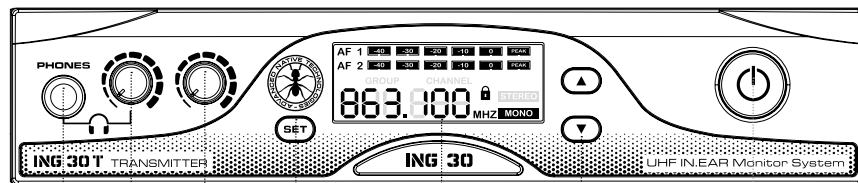
## 1 | EINLEITUNG

Vielen Dank das Sie sich für ein **A.N.T. - advanced native technologies** Produkt entschieden haben. In unsere Inear-Systeme der **ING Serie** haben wir sämtliche über die Jahre gewonnenen Erfahrungen einfließen lassen um ein Produkt zu schaffen was möglichst Zweckgebunden und Langlebig ist. Bitte nehmen Sie sich einen Moment Zeit um diese Bedienungsanleitung zu studieren. Sie wird Ihnen helfen möglichst schnell gute Ergebnisse mit unserem Produkt zu erreichen. Für sicherheitstechnische Vorsichtsmaßnahmen, Garantie und Entsorgungsfragen werfen Sie bitte einen Blick in die **"Bedienungsanleitung Teil 2"**. Weiterführende Informationen finden Sie ausserdem im Internet unter: [www.ant-intomusic.com](http://www.ant-intomusic.com).

## 2 | ANSCHLÜSSE, DISPLAYANZEIGEN UND BEDIENELEMENTE



VORDERSEITE



### 2.1 ING 20T/ING 30T SENDER

#### 1 KOPFHÖREREASUGANG

Um das Eingangssignal vor dem Sendeweg abzuheören können Sie hier einen Kopfhörer anschliessen.

#### 2 KOPFHÖRER LAUTSTÄRKE

Mit diesem Drehregler können Sie die Lautstärke des (lokal - siehe Punkt 1) ) angeschlossenen Kopfhörers regeln. Dauerhaft zu laut eingestellte Kopfhörer können Ihr Gehört schädigen. Es empfiehlt sich vor jedem Gebrauch die Lautstärke auf das Minimum zurück zu regeln und dann behutsam zu erhöhen.

#### 3 EINGANGSEMPFINDLICHKEIT (NUR BEI ING 30T)

An diesem Drehregler können Sie die Eingangsempfindlichkeit der Senderkanäle AF1 und AF2 einstellen. Bei Drehen im Uhrzeigersinn steigt die Empfindlichkeit. Um Rauschen zu minimieren empfiehlt es sich die Empfindlichkeit an den Ausgangspegel des Angeschlossenen Mixers anzupassen.

#### 4 SET TASTER

Mit diesem Taster können Sie Funktionen auswählen und Sendeparameter bestätigen.

#### 5 LCD

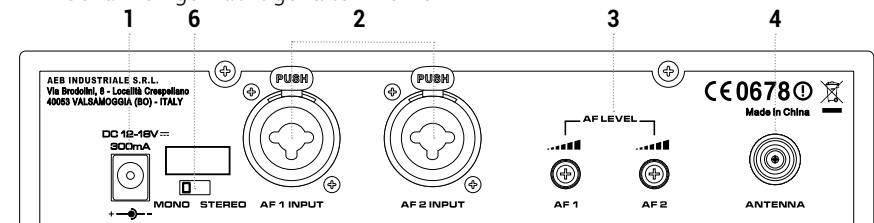
Das LC-Display bietet Pegelindikatoren für die beiden Sendekanäle (AF1 und AF2), zeigt Gruppen und Kanalnummer, sowie den Modus (Stereo oder Mono) und den Sperrstatus (lock).

#### 6 UP/DOWN TASTER

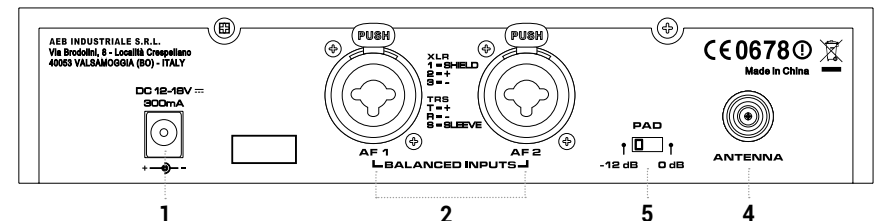
Mit diesen beiden Tastern lassen sich Parameter- bzw. Funktionseinstellungen verändern (+/- bzw. Hoch/Runter).

#### 7 POWER TASTER

Um das Gerät ein- oder auszuschalten muss der Taster für mehr als 2 Sekunden gedrückt gehalten werden.



RÜCKSEITE



#### 1 "DC 12-18V" NETZTEIL ANSCHLUSSBUCHSE

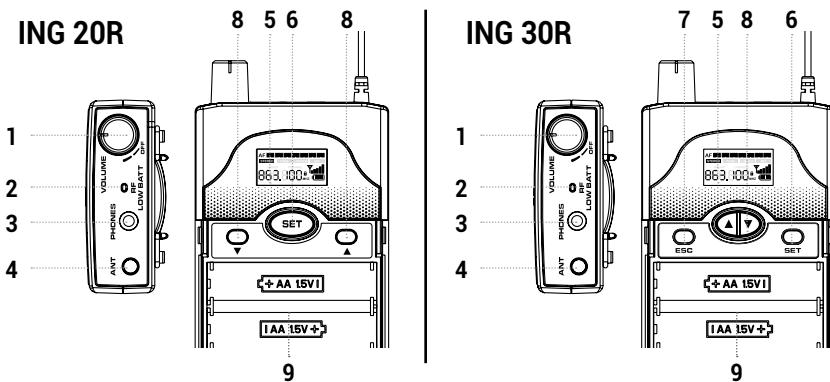
Bitte schliessen Sie hier ausschliesslich das mitgelieferte Steckernetzgerät an.

#### 2 "AF1 INPUT" & "AF2 INPUT" ANSCHLÜSSE

Symmetrische Audio-Eingangsbuchsen. An diese Combobuchsen

können Sie sowohl XLR (male) wie auch 6.35mm Klinenstecker anschliessen. Für Monobetrieb bitte nur "AF2 Input" Eingansbuchse nutzen.

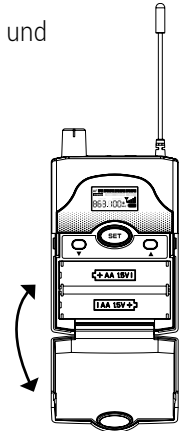
- 3 "AF LEVEL" AF 1 & AF2 EINGANGSEMPFINDLICHKEIT (ING 20T ONLY)**  
Mit diesen beiden Pegelstellern können Sie die Eingangsempfindlichkeit der beiden Sendekanäle (AF1 und AF2) separat voneinander an den Ausgangspegel des angeschlossenen Mixers anpassen
- 4 ANTENNEN ANSCHLUSS**  
An diese BNC-Buchse schliessen Sie bitte die mitgelieferte Antenne an.
- 5 PAD (NUR BEI ING 30T)**  
Mit diesem Schalter lässt sich der Eingangspegel um 12dB absenken.
- 6 MONO/STEREO (NUR BEI ING 20T)**  
Umschalter für den Betriebsmodus. Schaltbar zwischen Mono oder Stereo. Im Mono Modus werden beide Ohrhörer mit dem gleichen Signal bespielt, bei Stereo sind die Kanäle voneinander unabhängig.



## 2.2 | TASCHENEMPFÄNGER

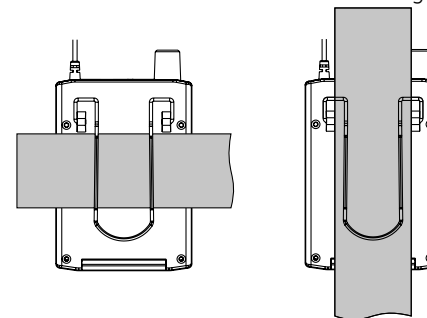
- 1 LAUTSTÄRKEREGLER MIT INTEGRIERTEM EIN-/AUSSCHALTER**  
Um den Empfänger einzuschalten bis zum "Klick" den Knopf im Uhrzeigersinn drehen. Durch drehen gegen den Uhrzeigersinn über das "Klick" hinaus wird der Empfänger wieder abgeschaltet. Durch weiteres drehen im Uhrzeigersinn nach einschalten stellen Sie den Empfänger lauter bzw gegen den Uhrzeigersinn leiser.  
**ACHTUNG:** Hohe Lautstärken können zu Gehörschäden führen.
- 2 RF/LOW BATT LED**  
Diese LED-Leuchte signalisiert korrekten Empfang mit grünem leuchten bzw. einen niedrigen Batteriestand mit rotem blinken.

- 3 KOPFHÖRERANSCHLUSS**  
3.5mm Miniklinkenbuchse zum Anschluss von Kopfhörern/InEars.
- 4 NICHT ABNEHMBARE ANTENNE**  
Wird für den Signalempfang benötigt.
- 5 LCD**  
Das integrierte LC-Display zeigt empfangene Audiosignale, Empfangsstärke, Batteriezustand, Gruppen- und Kanalnummern sowie die Sperrung des Empfängers an. Die Stereomodusanzeige ist beim entsprechend eingestellten Modus am Sender aktiv. Der ING 30R Empfänger hat darüber hinaus Statusanzeigen für: TONE, LIMITER sowie die MIX Funktion.
- 6 SET TASTER (SET)**  
Mit diesem Taster können Sie Funktionen auswählen und Sendeparameter bestätigen.
- 7 ESC (ESC) (NUR ING 30R)**  
Drücken Sie ESC um zum Hauptmenu zurück zu kehren.
- 8 UP/DOWN BUTTONS (▲ ▼)**  
Mit diesen beiden Tastern lassen sich Parameter- bzw. Funktionseinstellungen verändern (+/- bzw. Hoch/Runter).
- 9 BATTERIEDECKEL**  
Um die Batterien auszutauschen drücken Sie seitlich auf den Batteriedeckel und ziehen ihn vorsichtig nach vorne. Entnehmen Sie die entladenen Batterien und ersetzen Sie diese durch neue. Achten Sie dabei auf die richtige Polarität (wie im Batteriedeckel abgebildet). Wenn Sie den Empfänger für längere Zeit nicht verwenden entfernen Sie die Batterien um beschädigungen durch auslaufende Batterien vorzubeugen.



## TRAGEN DES EMPFÄNGERS

Stecken Sie den Empfänger an Ihren Gürtel, Hosenbund oder Schultergurt der Gitarre. Beachten Sie die Grafik und sorgen Sie für festen Halt des Gürtelklips.

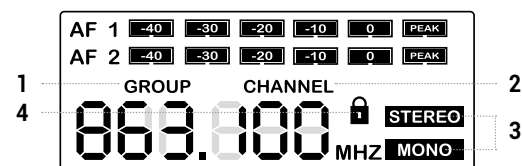




## 3 | INBETRIEBNAHME

Für eine optimale Audioübertragung sollte der Sender mindestens auf einer Höhe von 1m stehen. Die Antenne idealerweise Vertikal nach oben ausgerichtet. Vermeiden Sie es den Sender zu nah an Metallobjekte oder andere Elektronische Geräte zu stellen. Sender und Empfänger sollten "Sichtkontakt" haben.

### 3.1 | EINRICHTUNG DES SENDERS



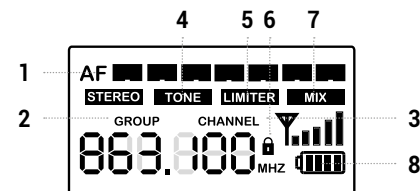
Das Display zeigt Ihnen die gewählte Frequenz (Gruppe/Kanal), Betriebsmodus (Mono/Stereo), das Sendelevel (AF1/AF2) und die Sperrung (falls aktiviert) an.

- 1 AUSWAHL DER GRUPPE** **GROUP**  
 Drücken Sie den SET Taster mehrmals bis "GROUP" auf dem Display erscheint. Nutzen Sie die Taster UP und DOWN um die gewünschte Frequenzgruppe zu wählen. Bestätigen Sie Ihre Auswahl mit dem SET Taster.
- 2 AUSWAHL DES KANALS** **CHANNEL**  
 Drücken Sie den SET Taster mehrmals bis "CHANNEL" auf dem Display erscheint. Nutzen Sie die Taster UP und DOWN um den gewünschten Kanal innerhalb der Frequenzgruppe zu wählen. Bestätigen Sie Ihre Auswahl mit dem SET Taster. Um mehrere Systeme Parallel zu betreiben empfiehlt es sich die gleiche Gruppe, jedoch unterschiedliche Kanäle zu wählen.
- 3 STEREO/MONO BETRIEBSMODUS (NUR BEI ING30)** **STEREO** **MONO**  
 Drücken Sie den SET Taster mehrmals bis "STEREO" oder "MONO" im Display erscheint. Nutzen Sie die Taster UP und DOWN um den gewünschten Modus auszuwählen. Bestätigen Sie Ihre Auswahl mit dem SET Taster. Im Mono Modus hören Sie ausschliesslich das Signal AF2; bei Stereo AF1 sowie AF2. **BITTE BEACHTEN:** Das ING20 System lässt sich mechanisch auf der Senderrückseite zwischen Mono und Stereo umschalten.
- 4 LOCK - SPERREN UND ENTPERREN**   
 Drücken Sie den SET Taster mehrmals bis das Vorhängeschloss-Symbol beginnt zu blinken. Bestätigen Sie die Sperrung mit dem UP oder DOWN Taster. Um das

System wieder zu entsperren halten Sie den SET Taster für mehr als 2 Sekunden gedrückt.

**BITTE BEACHTEN:** Wenn das Vorhängeschloss Symbol sichtbar, also der Sender gesperrt ist, lassen sich alle Parameter anzeigen, aber nicht editieren

### 3.2 | EINRICHTUNG DES EMPFÄNGERS



Das Display zeigt Ihnen die gewählte Frequenz (Gruppe/Kanal), Betriebsmodus (Mono/Stereo), das Sendelevel (AF1/AF2), die Sperrung (falls aktiviert) sowie den Batteriestatus an. Der ING30R Empfänger besitzt ausserdem Anzeigen für: TONE, LIMITER und die MIX Funktion.

Um Einstellungen vorzunehmen nutzen Sie den SET sowie die UP/DOWN Taster. Der ING30R Empfänger besitzt zusätzlich einen ESC Taster. Er kann genutzt werden um direkt zurück ins Hauptmenü zu gelangen. Drücken Sie leicht seitlich auf den Batteriedeckel und ziehen ihn nach vorne um das Batteriefach zu öffnen. Dahinter befinden sich die Knöpfe ESC und SET (ING 30R) bzw. UP und DOWN (ING 20R).

- 1 KANALVERHÄLTNIS AF1/AF2 (NUR BEI ING 30)**   
 Drücken Sie den UP bzw. DOWN Taster um das Verhältnis zwischen AF1 und AF2 eines Stereosignals anzupassen. Befindet sich der Sender im Mono Modus, stellt man mit UP/DOWN die Position des Monosignals im Stereobild ein.
- 2 AUSWAHL DER GRUPPE** **GROUP**  
 Halten Sie den SET Taster 2 Sekunden gedrückt bis "GROUP" auf dem Display erscheint. Nutzen Sie die Taster UP und DOWN um die gewünschte Frequenzgruppe zu wählen. Bestätigen Sie Ihre Auswahl bei ING30 mit dem ESC bzw. ING20 dem SET Taster.
- 3 CHANNEL SELECTION** **CHANNEL**  
 Halten Sie den SET Taster 2 Sekunden gedrückt bis "GROUP" auf dem Display erscheint. Sie befinden sich im Menü, betätigen Sie den SET Taster erneut bis "CHANNEL" auf dem Display erscheint. Nutzen Sie jetzt die



UP bzw. DOWN Taste rum den gewünschten Kanal zu wählen. Bestätigen Sie Ihre Auswahl mit ESC (bei ING 30) bzw. SET (bei ING20).

Um mehrere Systeme Parallel zu betreiben empfiehlt es sich die gleiche Gruppe, jedoch unterschiedliche Kanäle zu wählen.

#### 4 TONE FUNKTION (NUR BEI ING30R)

Halten Sie den SET Taster für 2 Sekunden gedrückt, drücken Sie erneut den SET Taster bis "TONE" auf dem Display erscheint. Schalten Sie die Funktion mithilfe der UP/DOWN Taster ein (ON) oder aus (OFF).

Die TONE Funktion verstärkt hohe frequenzen am Kopfhörerausgang.

#### 5 LIMITER FUNKTION (NUR BEI ING30R)

Halten Sie den SET Taster für 2 Sekunden gedrückt, drücken Sie erneut den SET Taster bis "LIMITER" auf dem Display erscheint. Schalten Sie die Funktion mithilfe der UP/DOWN Taster ein (ON) oder aus (OFF).

Die LIMITER Funktion senkt besonders hohe Pegelspitzen ab um Ihr Gehört zu schützen.

#### 6 LOCK (NUR BEI ING30R)

Halten Sie den SET Taster für 2 Sekunden gedrückt um ins Menü zu gelangen. Drücken Sie nun den SET Taster bis das Vorhängeschlosssymbol anfängt zu blinken. Sie können mit den UP/DOWN Tastern nun den Empfänger Sperren (ON) bzw. Entsperren (OFF).

**BITTEBEACHTEN:** Wenn das Vorhängeschloss Symbol sichtbar, also der Empfänger gesperrt ist, lassen sich alle Parameter anzeigen, aber nicht editieren.

#### 7 MIX (NUR BEI ING30R)

Halten Sie den SET Taster für 2 Sekunden gedrückt um ins Menü zu gelangen. Drücken Sie nun den SET Taster erneut bis "MIX" im Display erscheint. Mit den Tastern UP/DOWN lässt sich die MIX Funktion nun aktivieren (ON) bzw. Deaktivieren (OFF).

Mit der Einstellung MIX ON können Sie beide Sendekanäle (AF1 und AF2) zugleich hören. Das Mischungsverhältnis zwischen den Eingängen AF1 und AF2 lässt sich wie folgt einstellen:

Durch den Taster UP verstärkt sich das Signal AF1 in relation zu AF2 in 16 Schritten: 1-, 2-, 3-, 4-, 5-, 6-, 7-, 8-, 9-, A-, B-, C-, D-, E-, und F- (max).

Durch den Taster Down verstärkt sich das Signal AF2 in relation zu AF1 in 16 Schritten: 1-, 2-, 3-, 4-, 5-, 6-, 7-, 8-, 9-, A-, B-, C-, D-, E-, und F- (max).

#### 8 BATTERIESTATUS

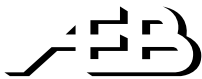
Das Batteriesymbol zeigt in 4 Schritten den Ladezustand der eingelegten Batterien an. Wenn keine Balken innerhalb der Batterieanzeige mehr zu sehen sind und die "LOW BATT" LED-Leuchte blinkt, sollten sie schnellstmöglich die Batterien tauschen.

## 4 | PROBLEMBEHEBUNG

PROBLEM	LED	LÖSUNG
Kein oder nur sehr leiser Sound	Empfänger LC-Display aus	Bitte den Ladezustand der Batterien prüfen und den Empfänger einschalten.
Sender LC-Display off		Korrekten Sitz des Steckernetzteils in der Steckdose prüfen, Verbindung vom Netzgerät zum Sender prüfen. Sender einschalten.
Empfänger RF Indikatoren ohne Ausschlag		Sicherstellen das Sender und Empfänger auf die gleiche Gruppe (GROUP) und den gleichen Kanal (CHANNEL) eingestellt sind. Die Distanz zwischen Sender und Empfänger verringern. Sichtkontakt sicherstellen. Korrekten Anschluss der Antenne überprüfen.
Empfänger eingeschaltet und RF Indikator an		Erhöhen Sie die Lautstärke am Empfänger. Hilft das nicht, oder nicht ausreichend bitte den Eingangspegel am Sender entsprechend dem anliegenden Signal anpassen.
Verzerrter Sound oder Interferenzen	Empfänger Antenna RF LED an	Vergrössern Sie den Abstand zu potentiellen (Funk)Störquellen wie andere Sendestrecken, Elektronik, Mischpulte etc. Benutzen Sie einen anderen Kanal (und/oder Gruppe).
Verzerrter Sound	Receiver LOW BATT LED an	Tauschen Sie die Batterien aus.
	Hohes Sendelevel am Display des Senders	Verringern Sie die Lautstärke am Sender; hilft das nicht oder nicht ausreichend senken Sie den Pegel zusätzlich an der Signalquelle ab.
Das Mono Signal ist nur auf einer Seite Der Kopfhörer zu hören	Sender ist im Stereo Modus.	Stellen Si eden Modus auf MONO um.
Split Mono/Dual Mono Betrieb: Sie wollen zwei unabhängige Monosignale hören; gemischt auf beiden Seiten/Ohren. (Nur bei ING 30)	Tranmitter ist im Mono-Mode	Schalten Sie den Tranmitter in den Stereo-Mode
Sie haben zwei unabhängige Mono-Signale im linken und rechten Köpfförer, möchten aber beide Signale in beiden Köpfförern (nur ING30).		Aktivieren Sie die MIX Funktion im Empfänger.







**A.E.B. Industriale Srl** - Via Brodolini, 8 - Località Crespellano  
40053 Valsamoggia - Bologna (ITALIA)  
Tel +39 051 969870 - Fax +39 051 969725