



  
STAIRVILLE

Crown FX PAR 77  
LED spotlight

Musikhaus Thomann  
Thomann GmbH  
Hans-Thomann-Straße 1  
96138 Burgebrach  
Germany  
Telephone: +49 (0) 9546 9223-0  
E-mail: [info@thomann.de](mailto:info@thomann.de)  
Internet: [www.thomann.de](http://www.thomann.de)

14.07.2020, ID: 416120 (V2)

---

# Table of contents

<b>1</b>	<b>General information</b> .....	<b>5</b>
	1.1 Further information.....	6
	1.2 Notational conventions.....	7
	1.3 Symbols and signal words.....	7
<b>2</b>	<b>Safety instructions</b> .....	<b>10</b>
<b>3</b>	<b>Features</b> .....	<b>16</b>
<b>4</b>	<b>Installation</b> .....	<b>17</b>
<b>5</b>	<b>Connections and operating elements</b> .....	<b>21</b>
<b>6</b>	<b>Operating</b> .....	<b>24</b>
	6.1 Operating on the unit.....	24
	6.2 Remote control functions.....	29
	6.3 Menu overview.....	31
	6.4 Functions in 2-channel DMX mode.....	32
	6.5 Functions in 6-channel DMX mode.....	35
	6.6 Functions in 9-channel DMX mode.....	36

	6.7 Functions in 22-channel DMX mode.....	38
<b>7</b>	<b>Technical specifications.....</b>	<b>44</b>
<b>8</b>	<b>Cleaning.....</b>	<b>47</b>
<b>9</b>	<b>Protecting the environment.....</b>	<b>48</b>

# 1 General information

This user manual contains important information on the safe operation of the device. Read and follow all safety notes and all instructions. Save this manual for future reference. Make sure that it is available to all persons using this device. If you sell the device to another user, be sure that they also receive this manual.

Our products and user manuals are subject to a process of continuous development. We therefore reserve the right to make changes without notice. Please refer to the latest version of the user manual which is ready for download under [www.thomann.de](http://www.thomann.de).

## 1.1 Further information

On our website ([www.thomann.de](http://www.thomann.de)) you will find lots of further information and details on the following points:

Download	This manual is also available as PDF file for you to download.
Keyword search	Use the search function in the electronic version to find the topics of interest for you quickly.
Online guides	Our online guides provide detailed information on technical basics and terms.
Personal consultation	For personal consultation please contact our technical hotline.
Service	If you have any problems with the device the customer service will gladly assist you.

## 1.2 Notational conventions

This manual uses the following notational conventions:

### Letterings

The letterings for connectors and controls are marked by square brackets and italics.

**Examples:** *[VOLUME]* control, *[Mono]* button.



### Displays

Texts and values displayed on the device are marked by quotation marks and italics.



**Examples:** *'24ch'*, *'OFF'*.

## 1.3 Symbols and signal words

In this section you will find an overview of the meaning of symbols and signal words that are used in this manual.

Signal word	Meaning
<b>DANGER!</b>	This combination of symbol and signal word indicates an immediate dangerous situation that will result in death or serious injury if it is not avoided.
<b>WARNING!</b>	This combination of symbol and signal word indicates a possible dangerous situation that can result in death or serious injury if it is not avoided.
<b>NOTICE!</b>	This combination of symbol and signal word indicates a possible dangerous situation that can result in material and environmental damage if it is not avoided.
Warning signs	Type of danger
	Warning – high-voltage.
	Warning – dangerous optical radiation.



Warning signs	Type of danger
	<p>Warning – suspended load.</p>
	<p>Warning – danger zone.</p>

## 2 Safety instructions

### **Intended use**

This device is intended for use as an electronic lighting effect by means of LED technology. The device is designed for professional use and is not suitable for use in households. Use the device only as described in this user manual. Any other use or use under other operating conditions is considered to be improper and may result in personal injury or property damage. No liability will be assumed for damages resulting from improper use.

This device may be used only by persons with sufficient physical, sensorial, and intellectual abilities and having corresponding knowledge and experience. Other persons may use this device only if they are supervised or instructed by a person who is responsible for their safety.

Extend the life of the device by regular breaks in operation and avoid switching it on and off frequently. This device is not suitable for continuous use.

**Safety****DANGER!****Danger for children**

Ensure that plastic bags, packaging, etc. are disposed of properly and are not within reach of babies and young children. Choking hazard!

Ensure that children do not detach any small parts (e.g. knobs or the like) from the unit. They could swallow the pieces and choke!

Never let children unattended use electrical devices.

**DANGER!****Electric shock caused by high voltages inside**

Within the device there are areas where high voltages may be present. Never remove any covers.

There are no user-serviceable parts inside.

Do not use the device if covers, protectors or optical components are missing or damaged.



**DANGER!**

**Electric shock caused by short-circuit**

Always use proper ready-made insulated mains cabling (power cord) with a protective contact plug. Do not modify the mains cable or the plug. Failure to do so could result in electric shock/death or fire. If in doubt, seek advice from a registered electrician.



**WARNING!**

**Eye damage caused by high light intensity**

Never look directly into the light source.



**WARNING!**

**Risk of epileptic shock**

Strobe lighting can trigger seizures in photosensitive epilepsy. Sensitive persons should avoid looking at strobe lights.



**NOTICE!**

**Risk of fire**

Do not block areas of ventilation. Do not install the device near any direct heat source. Keep the device away from naked flames.



### **NOTICE!**

#### **Operating conditions**

This device has been designed for indoor use only. To prevent damage, never expose the device to any liquid or moisture. Avoid direct sunlight, heavy dirt, and strong vibrations.

Only operate the device within the ambient conditions specified in the chapter 'Technical specifications' of this user manual. Avoid heavy temperature fluctuations and do not switch the device on immediately after it was exposed to temperature fluctuations (for example after transport at low outside temperatures).

Dust and dirt inside can damage the unit. When operated in harmful ambient conditions (dust, smoke, nicotine, fog, etc.), the unit should be maintained by qualified service personnel at regular intervals to prevent overheating and other malfunction.



**NOTICE!**

**Power supply**

Before connecting the device, ensure that the input voltage (AC outlet) matches the voltage rating of the device and that the AC outlet is protected by a residual current circuit breaker. Failure to do so could result in damage to the device and possibly injure the user.

Unplug the device before electrical storms occur and when it is unused for long periods of time to reduce the risk of electric shock or fire.



**NOTICE!**

**Possible damage due to installation of a wrong fuse**

The use of different types of fuses can cause serious damage to the unit. Fire hazard!

Only fuses of the same type may be used.

### 3 Features

LED spotlight with stroboscope and pixel effect ring.

- 9 × RGBUV LEDs (4 W), grouped into three zones
- 1 × RGB COB LED (30 W)
- 21 × stroboscope LEDs (0.5 W)
- Control via DMX (four modes), the supplied remote control and via buttons and display on the unit
- 17 preprogrammed automatic shows
- Sound control
- Master / Slave operation

For technological reasons, the light output of LEDs decreases over their lifetime. This effect increases with higher operating temperature. You can extend the service life of the illuminants by providing adequate ventilation and operating the LEDs with the lowest possible brightness.



## 4 Installation

Unpack and check carefully there is no transportation damage before using the unit. Keep the equipment packaging. To fully protect the product against vibration, dust and moisture during transportation or storage use the original packaging or your own packaging material suitable for transport or storage, respectively.



### **WARNING!**

#### **Risk of injury caused by falling objects**

Make sure that the installation complies with the standards and rules that apply in your country. Always secure the device with a secondary safety attachment, such as a safety cable or a safety chain.



### **NOTICE!**

#### **Risk of overheating**

The distance between light output and the illuminated surface must be more than 1.5 m (19.7in).

Provide sufficient ventilation.

The ambient temperature must always be below 40 °C (104 °F).



### **NOTICE!**

#### **Use of stands**

When mounting the device onto a stand, ensure that the stand is in a safe and stable position and that the weight of the device does not exceed the maximum permissible load capacity of the stand.

**NOTICE!****Possible data transmission errors**

For error-free operation make use of dedicated DMX cables and do not use ordinary microphone cables.

Never connect the DMX input or output to audio devices such as mixers or amplifiers.

**Mounting options**

You can install the unit in hanging or standing position. When in use, the device must always be attached to a solid surface or an approved truss. Use the openings provided on the two-piece bracket for attaching.

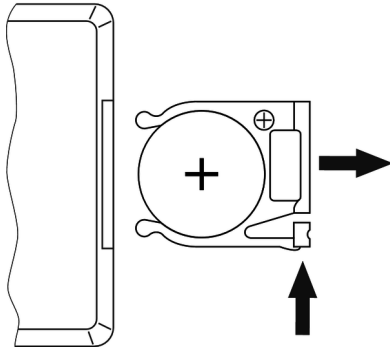
Always work from a stable platform whenever installing, moving or servicing the unit. In doing so, the area underneath the unit must be cordoned off.

The safety cable must be threaded through the safety eyelet.

**Infrared sensor for the remote control**

The infrared receiver is located near the main LED on the front panel of the device. Make sure it's not obstructed.

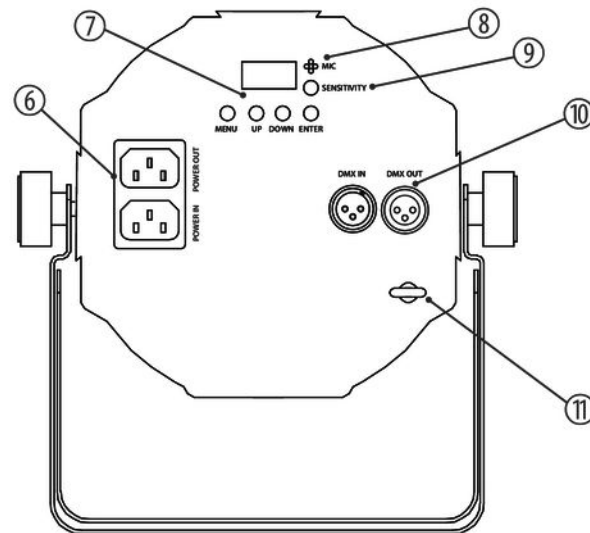
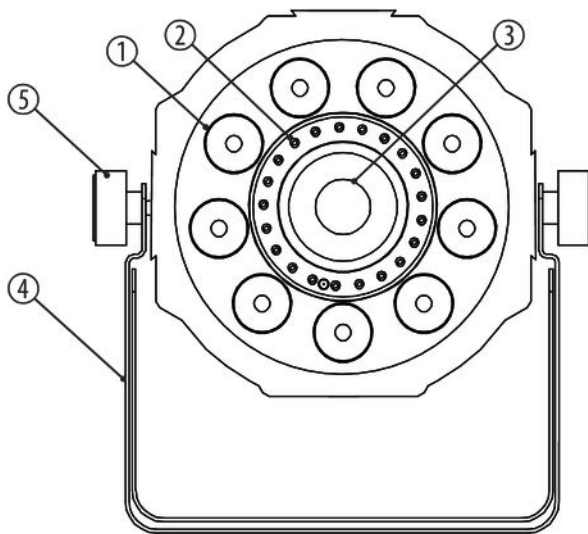
### Inserting the battery into the remote control



Press the lock of the battery holder to the centre of the housing and pull out the battery holder like a drawer. Insert the battery. The battery is correct if the positive pole points to the housing base of the remote control. Slide the battery holder back into the remote until it clicks into place.

When shipping, the battery is already installed in the remote and protected against discharge by a transparent plastic foil. Remove the plastic foil prior to first use.

## 5 Connections and operating elements



Crown FX PAR 77

1	9 × RGBUV LEDs, grouped into three zones.
2	21 × stroboscope LEDs.
3	1 × RGB COB LED.
4	Mounting bracket.
5	Locking screws for the mounting bracket.
6	<i>[POWER OUT]</i> IEC chassis socket to power another device with mains voltage. <i>[POWER IN]</i> IEC chassis plug for operating voltage supply, with fuse holder.
7	Display and control buttons: <i>[MENU]</i> : Activates the main menu and toggles between menu items. <i>[UP]</i> : Increases the displayed value by one. <i>[DOWN]</i> : Decreases the displayed value by one. <i>[ENTER]</i> : Selects an option of the respective operating mode.

8	<i>[MIC]</i> Built-in microphone for sound-controlled operation.
9	<i>[SENSITIVITY]</i> Control to adjust the sensitivity of the built-in microphone.
10	<i>[DMX IN]</i> : DMX input socket <i>[DMX OUT]</i> : DMX output socket
11	Safety cable eyelet.

## 6 Operating

### 6.1 Operating on the unit

Connect the device to the power supply to start operation. All functions of the device are controlled via the buttons and display on the unit as well as the supplied remote control.

Press *[MENU]* to open the main menu. Use *[UP]* and *[DOWN]* to select a submenu or to change the respectively indicated value. When the display shows the desired value press *[ENTER]*.

#### Operating mode 'Automatic'

In automatic mode, you can call up one of 17 automatic shows. This setting is only relevant if the device is not controlled via DMX.

Press *[MENU]* repeatedly until the display shows 'Aut'. Confirm with *[ENTER]* and use *[UP]* or *[DOWN]* one of 17 LED shows 'P01' ... 'P17'. Confirm with *[ENTER]*. The display shows 'Sxx'. Use *[UP]* or *[DOWN]* to set the programme speed in a range from 'S01' (slow) to 'S99' (fast). Confirm again with *[ENTER]* to apply the setting.



## Operating mode 'Sound'

In sound-controlled mode, you have the option to select one of 13 colour LED shows. This setting is only relevant if the device is not controlled via DMX. The programme control is based on the signals received via the built-in microphone. The sensitivity of the built-in microphone is set manually via the controller on the device.

Press *[MENU]* repeatedly until the display shows 'Sou'. Confirm with *[ENTER]* and use *[UP]* or *[DOWN]* to select one of the colour LED shows 'S01' ... 'S12'. Confirm with *[ENTER]* to apply the setting.

### Constant colour pattern

In this mode, you can manually set a constant colour pattern for all LEDs. This setting is only relevant if the device is not controlled via DMX.

Press *[MENU]* repeatedly until the display shows 'CoLo'.

Use *[UP]* or *[DOWN]* to select the submenu 'r.xxx'. Confirm with *[ENTER]* and use *[UP]* or *[DOWN]* to adjust the intensity of the colour red for all LEDs in a range from 'r.000' ... 'r.255'. Confirm with *[ENTER]*.

Use *[UP]* or *[DOWN]* to select the submenu 'G.xxx'. Confirm with *[ENTER]* and use *[UP]* or *[DOWN]* to adjust the intensity of the colour green for all LEDs in a range from 'G.000' ... 'G.255'. Confirm with *[ENTER]*.

Use *[UP]* or *[DOWN]* to select the submenu 'b.xxx'. Confirm with *[ENTER]* and use *[UP]* or *[DOWN]* to adjust the intensity of the colour blue for all LEDs in a range from 'b.000' ... 'b.255'. Confirm with *[ENTER]*.

Use *[UP]* or *[DOWN]* to select the submenu 'U.xxx'. Confirm with *[ENTER]* and use *[UP]* or *[DOWN]* to adjust the intensity of the colour white for all LEDs in a range from 'U.000' ... 'U.255'. Confirm with *[ENTER]*.

Use *[UP]* or *[DOWN]* to select the submenu 'S.xxx'. Confirm with *[ENTER]* and use *[UP]* or *[DOWN]* to set the flash frequency for the stroboscope effect in a range from 'S.001' (slow) to 'S.099' (fast). Confirm again with *[ENTER]* to apply the setting.

**DMX mode**

This setting is only relevant when the device is controlled via DMX.

Press *[MENU]* repeatedly until the display shows 'dMH'. Confirm with *[ENTER]* and use *[UP]* or *[DOWN]* to select the desired DMX mode.

Mode	Display	Highest possible DMX address
2-channel	'02Ch'	511
6-channel	'06Ch'	507
9-channel	'09Ch'	504
22-channel	'22Ch'	491

Confirm with *[ENTER]*. Now you can set the number of the first DMX channel to be used by the device (DMX address). Use *[UP]* and *[DOWN]* to select a value between 'd001' ... 'd511' and confirm with *[ENTER]*.

**Operating mode 'Slave'**

This setting is only relevant if the device is working as Slave in a Master / Slave configuration and is not controlled via DMX.

Press *[MENU]* repeatedly until the display shows 'SLA'. Press *[ENTER]* to enable the Slave mode.

### **Power saving mode**

In this menu, you have the option to enable the power saving mode.

Press *[MENU]* repeatedly until the display shows 'Sys'. Use *[UP]* or *[DOWN]* to select the option 'LEds'. Confirm with *[ENTER]*.

Use *[UP]* or *[DOWN]* to select the option 'oN' to enable the power saving mode, or 'oFF' to disable the mode. Confirm with *[ENTER]* to apply the setting.

### **Inverting the Display by 180°**

In this menu, you have the option to rotate the Display by 180°. This makes it easier to read the display when the unit is installed overhead.

Press *[MENU]* repeatedly until the display shows 'Sys'. Use *[UP]* or *[DOWN]* to select the option 'LEdr'. Confirm with *[ENTER]*.

Use *[UP]* or *[DOWN]* to select the option 'ON' to rotate the display by 180°, or 'OFF' for normal display. Confirm with *[ENTER]* to apply the setting.

### **Reset to factory defaults**

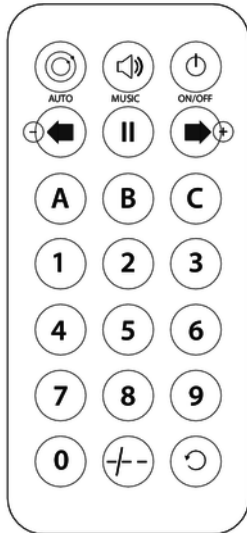
Proceed as follows to reset the device to factory defaults:

Press *[MENU]* repeatedly until the display shows 'Sys'. Use *[UP]* or *[DOWN]* to select the option 'rEST'.

Confirm with *[ENTER]* to reset the device to the factory default settings.

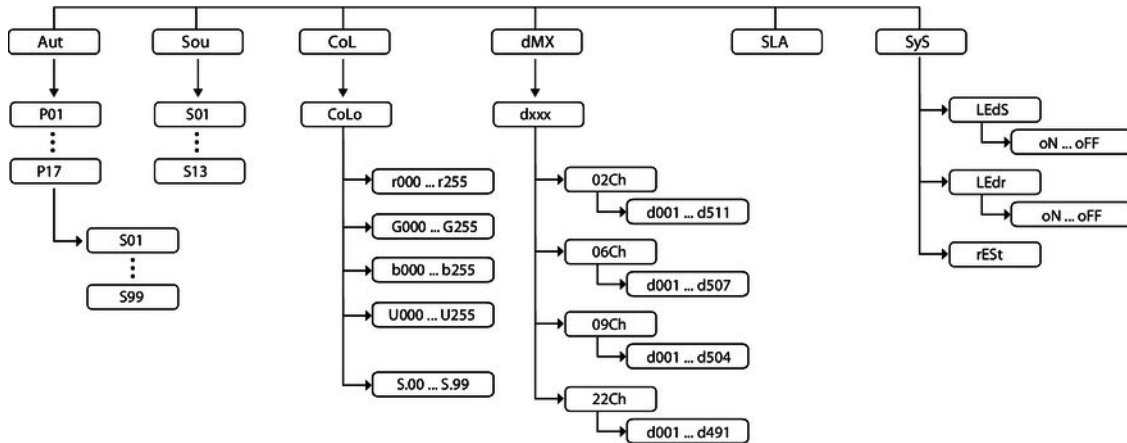
## 6.2 Remote control functions

The unit functions can be controlled by the included remote control. To use the remote control, point its infrared diode at the infrared sensor on the unit and press the desired buttons.



Button labelling:	Function
[AUTO]	Enable / disable the automatic mode, selecting programme P01 ... P17.
[MUSIC]	Enable / disable the sound-controlled mode, selecting S01 ... S13.
[ON/OFF]	Blackout
[-]	Selecting fixed colour C01 ... C23.
[II]	Pause button
[+]	Selecting fixed colour C01 ... C23.
[A]	No function.
[B]	No function.
[C]	No function.
[0] ... [9]	Selecting programme speed (0 = slow, 9 = fast)
[-/--]	No function.
Arrow button	Button to switch between auto and sound-controlled mode.

### 6.3 Menu overview



## 6.4 Functions in 2-channel DMX mode

Channel	Value	Function
1	0 ... 5	all LEDs off
	6 ... 19	Auto programme 1, if channel 2 = 0 ... 250 Sound programme 1, if channel 2 = 251 ... 255
	20 ... 34	Auto programme 2, if channel 2 = 0 ... 250 Sound programme 2, if channel 2 = 251 ... 255
	35 ... 48	Auto programme 3, if channel 2 = 0 ... 250 Sound programme 3, if channel 2 = 251 ... 255
	49 ... 63	Auto programme 4, if channel 2 = 0 ... 250 Sound programme 4, if channel 2 = 251 ... 255
	64 ... 77	Auto programme 5, if channel 2 = 0 ... 250 Sound programme 5, if channel 2 = 251 ... 255



Channel	Value	Function
	78 ... 92	Auto programme 6, if channel 2 = 0 ... 250 Sound programme 6, if channel 2 = 251 ... 255
	93 ... 106	Auto programme 7, if channel 2 = 0 ... 250 Sound programme 7, if channel 2 = 251 ... 255
	107 ... 121	Auto programme 8, if channel 2 = 0 ... 250 Sound programme 8, if channel 2 = 251 ... 255
	122 ... 135	Auto programme 9, if channel 2 = 0 ... 250 Sound programme 9, if channel 2 = 251 ... 255
	136 ... 150	Auto programme 10, if channel 2 = 0 ... 250 Sound programme 10, if channel 2 = 251 ... 255
	151 ... 164	Auto programme 11, if channel 2 = 0 ... 250 Sound programme 11, if channel 2 = 251 ... 255

Channel	Value	Function
	165 ... 179	Auto programme 12, if channel 2 = 0 ... 250 Sound programme 12, if channel 2 = 251 ... 255
	180 ... 193	Auto programme 13, if channel 2 = 0 ... 250 Sound programme 13, if channel 2 = 251 ... 255
	194 ... 208	Auto programme 14, if channel 2 = 0 ... 250 Sound programme 13, if channel 2 = 251 ... 255
	209 ... 222	Auto programme 15, if channel 2 = 0 ... 250 Sound programme 13, if channel 2 = 251 ... 255
	223 ... 237	Auto programme 16, if channel 2 = 0 ... 250 Sound programme 13, if channel 2 = 251 ... 255
	238 ... 255	Auto programme 17, if channel 2 = 0 ... 250 Sound programme 13, if channel 2 = 251 ... 255

Channel	Value	Function
2	0 ... 250	Programme speed increasing
	251 ... 255	Sound-controlled mode, specifies the auto programme / sound programme setting for channel 1.

## 6.5 Functions in 6-channel DMX mode

Channel	Value	Function
1	0 ... 255	Intensity red (0 % to 100 %), PAR and COB LEDs
2	0 ... 255	Intensity green (0 % to 100 %), PAR and COB LEDs
3	0 ... 255	Intensity blue (0 % to 100 %), PAR and COB LEDs
4	0 ... 255	Intensity UV (0 % to 100 %), PAR and COB LEDs
5	0 ... 5	Strobe effect off
	6 ... 250	Strobe effect, increasing speed, all colour LEDs

Channel	Value	Function
	251 ... 255	Strobe effect sound mode, all colour LEDs
6	0 ... 5	No function
	6 ... 20	Strobe LED ring constantly on
	21 ... 250	Strobe effect, increasing speed, strobe LED ring
	251 ... 255	Strobe effect sound mode, strobe LED ring

## 6.6 Functions in 9-channel DMX mode

Channel	Value	Function
1	0 ... 255	Intensity red (0 % to 100 %), PAR LEDs
2	0 ... 255	Intensity green (0 % to 100 %), PAR LEDs
3	0 ... 255	Intensity blue (0 % to 100 %), PAR LEDs

Channel	Value	Function
4	0 ... 255	Intensity UV (0 % to 100 %), PAR LEDs
5	0 ... 255	Intensity red (0 % to 100 %), COB LED
6	0 ... 255	Intensity green (0 % to 100 %), COB LED
7	0 ... 255	Intensity blue (0 % to 100 %), COB LED
8	0 ... 5	Strobe effect off
	6 ... 250	Strobe effect, increasing speed, all colour LEDs
	251 ... 255	Strobe effect sound mode, all colour LEDs
9	0 ... 5	No function
	6 ... 20	Strobe LED ring constantly on
	21 ... 250	Strobe effect, increasing speed, strobe LED ring
	251 ... 255	Strobe effect sound mode, strobe LED ring

## 6.7 Functions in 22-channel DMX mode

Channel	Value	Function
1	0 ... 255	Intensity red (0 % to 100 %), PAR LEDs zone 1
2	0 ... 255	Intensity green (0 % to 100 %), PAR LEDs zone 1
3	0 ... 255	Intensity blue (0 % to 100 %), PAR LEDs zone 1
4	0 ... 255	Intensity UV (0 % to 100 %), PAR LEDs zone 1
5	0 ... 5	Strobe effect off, zone 1
	6 ... 250	Strobe effect, increasing speed, zone 1
	251 ... 255	Strobe effect sound mode, zone 1
6	0 ... 255	Intensity red (0 % to 100 %), PAR LEDs zone 2
7	0 ... 255	Intensity green (0 % to 100 %), PAR LEDs zone 2
8	0 ... 255	Intensity blue (0 % to 100 %), PAR LEDs zone 2
9	0 ... 255	Intensity UV (0 % to 100 %), PAR LEDs zone 2

Channel	Value	Function
10	0 ... 5	Strobe effect off, zone 2
	6 ... 250	Strobe effect, increasing speed, zone 2
	251 ... 255	Strobe effect sound mode, zone 2
11	0 ... 255	Intensity red (0 % to 100 %), PAR LEDs zone 3
12	0 ... 255	Intensity green (0 % to 100 %), PAR LEDs zone 3
13	0 ... 255	Intensity blue (0 % to 100 %), PAR LEDs zone 3
14	0 ... 255	Intensity UV (0 % to 100 %), PAR LEDs zone 3
15	0 ... 5	Strobe effect off, zone 3
	6 ... 250	Strobe effect, increasing speed, zone 3
	251 ... 255	Strobe effect sound mode, zone 3
16	0 ... 255	Intensity red (0 % to 100 %), COB LED
17	0 ... 255	Intensity green (0 % to 100 %), COB LED
18	0 ... 255	Intensity blue (0 % to 100 %), COB LED

Channel	Value	Function
19	0 ... 5	Strobe effect off
	6 ... 250	Strobe effect, increasing speed, COB LED
	251 ... 255	Strobe effect sound mode, COB LED
20	0 ... 5	No function
	6 ... 20	Strobe LED ring constantly on
	21 ... 250	Strobe effect, increasing speed, strobe LED ring
	251 ... 255	Strobe effect sound mode, strobe LED ring
21	0 ... 5	all LEDs off
	6 ... 19	Auto programme 1, if channel 22 = 0 ... 250 Sound programme 1, if channel 22 = 251 ... 255
	20 ... 34	Auto programme 2, if channel 22 = 0 ... 250 Sound programme 2, if channel 22 = 251 ... 255

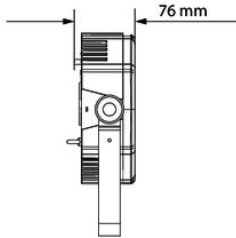
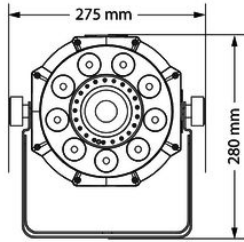


Channel	Value	Function
	35 ... 48	Auto programme 3, if channel 22 = 0 ... 250 Sound programme 3, if channel 22 = 251 ... 255
	49 ... 63	Auto programme 4, if channel 22 = 0 ... 250 Sound programme 4, if channel 22 = 251 ... 255
	64 ... 77	Auto programme 5, if channel 22 = 0 ... 250 Sound programme 5, if channel 22 = 251 ... 255
	78 ... 92	Auto programme 6, if channel 22 = 0 ... 250 Sound programme 6, if channel 22 = 251 ... 255
	93 ... 106	Auto programme 7, if channel 22 = 0 ... 250 Sound programme 7, if channel 22 = 251 ... 255
	107 ... 121	Auto programme 8, if channel 22 = 0 ... 250 Sound programme 8, if channel 22 = 251 ... 255

Channel	Value	Function
	122 ... 135	Auto programme 9, if channel 22 = 0 ... 250 Sound programme 9, if channel 22 = 251 ... 255
	136 ... 150	Auto programme 10, if channel 22 = 0 ... 250 Sound programme 10, if channel 22 = 251 ... 255
	151 ... 164	Auto programme 11, if channel 22 = 0 ... 250 Sound programme 11, if channel 22 = 251 ... 255
	165 ... 179	Auto programme 12, if channel 22 = 0 ... 250 Sound programme 12, if channel 22 = 251 ... 255
	180 ... 193	Auto programme 13, if channel 22 = 0 ... 250 Sound programme 13, if channel 22 = 251 ... 255
	194 ... 208	Auto programme 14, if channel 22 = 0 ... 250 Sound programme 13, if channel 22 = 251 ... 255

Channel	Value	Function
	209 ... 222	Auto programme 15, if channel 22 = 0 ... 250 Sound programme 13, if channel 22 = 251 ... 255
	223 ... 237	Auto programme 16, if channel 22 = 0 ... 250 Sound programme 13, if channel 22 = 251 ... 255
	238 ... 255	Auto programme 17, if channel 22 = 0 ... 250 Sound programme 13, if channel 22 = 251 ... 255
22	0 ... 250	Programme speed increasing
	251 ... 255	Sound-controlled mode, specifies the auto programme / sound programme setting for channel 21.

## 7 Technical specifications



Light source	9 × RGBUV LEDs (4 W), grouped into three zones 1 × RGB COB LED (30 W) 21 × stroboscope LEDs (0.5 W)	
Optical properties	Beam angle	40°
Control	DMX, infrared remote control, buttons and display on the device	
Number of DMX channels	2, 6, 9 or 22	
Input connections	Power supply	IEC chassis plug C14
	DMX control	XLR chassis socket, 3-pin
Output connections	Power supply of further devices	IEC chassis plug C13
	DMX control	XLR chassis socket, 3-pin
Power consumption	78 W	

Supply voltage	100 – 240 V ~ 50/60 Hz	
Fuse	5 mm × 20 mm, 1,6 A, 250 V, slow-blow	
Degree of protection	IP20	
Mounting options	Hanging, standing	
Dimensions (W × H × D)	275 mm × 280 mm × 76 mm	
Weight	Approx. 1.7 kg	
Ambient conditions	Temperature range	0 °C...40 °C
	Relative humidity	50 %, non-condensing

### Further information

Similar design	Combined device
DMX control	Yes
Master/Slave	Yes
Remote control	included
Sound control	Yes
Display	Yes

## 8 Cleaning

### Device components

Clean the device components that are accessible from the outside regularly. The cleaning frequency depends on the operating environment: damp, smoky or particularly dirty environments can cause greater accumulation of dirt on the device components.

- Clean with a dry soft cloth.
- Stubborn dirt can be removed with a slightly dampened cloth.
- Never use solvents or alcohol for cleaning.

## 9 Protecting the environment

### Disposal of the packaging material



For the transport and protective packaging, environmentally friendly materials have been chosen that can be supplied to normal recycling.

Ensure that plastic bags, packaging, etc. are properly disposed of.

Do not just dispose of these materials with your normal household waste, but make sure that they are fed to a recovery. Please follow the notes and markings on the packaging.

### Disposal of batteries



Batteries must not be disposed of as domestic waste or thrown into fire. Dispose of the batteries according to national or local regulations regarding hazardous waste. To protect the environment, dispose of empty batteries at your retail store or at appropriate collection sites.



### Disposal of your old device



This product is subject to the European Waste Electrical and Electronic Equipment Directive (WEEE) in its currently valid version. Do not dispose with your normal household waste.

Dispose this device through an approved waste disposal firm or through your local waste facility. When discarding the device, comply with the rules and regulations that apply in your country. If in doubt, consult your local waste disposal facility.





Musikhaus Thomann · Hans-Thomann-Straße 1 · 96138 Burgebrach · Germany · [www.thomann.de](http://www.thomann.de)