



BAT.PARset 4 RGBW

LED lighting set

Musikhaus Thomann
Thomann GmbH
Hans-Thomann-Straße 1
96138 Burgebrach
Germany
Telephone: +49 (0) 9546 9223-0
E-mail: info@thomann.de
Internet: www.thomann.de

22.05.2020, ID: 385484 (V2)

Table of contents

1	General information	6
	1.1 Further information.....	7
	1.2 Notational conventions.....	8
	1.3 Symbols and signal words.....	8
2	Safety instructions	11
3	Features	18
4	Installation	20
5	Starting up	25
6	Connections and controls	28
7	Operating	33
	7.1 Operating on the unit.....	33
	7.2 System settings.....	37
	7.3 Menu overview.....	42
	7.4 Functions in 6-channel DMX mode.....	44
	7.5 Functions in 8-channel DMX mode.....	45

7.6	Functions in 10-channel DMX mode.....	46
7.7	Functions in 13-channel DMX mode.....	47
7.8	Functions in 14-channel DMX mode.....	52
7.9	Functions in 20-channel DMX mode.....	54
7.10	Functions in 24-channel DMX mode.....	56
8	Technical specifications.....	58
9	Plug and connection assignments.....	61
10	Troubleshooting.....	62
11	Cleaning.....	64
12	Protecting the environment.....	65



1 General information

This user manual contains important information on the safe operation of the device. Read and follow all safety notes and all instructions. Save this manual for future reference. Make sure that it is available to all persons using this device. If you sell the device to another user, be sure that they also receive this manual.

Our products and user manuals are subject to a process of continuous development. We therefore reserve the right to make changes without notice. Please refer to the latest version of the user manual which is ready for download under www.thomann.de.

1.1 Further information

On our website (www.thomann.de) you will find lots of further information and details on the following points:

Download	This manual is also available as PDF file for you to download.
Keyword search	Use the search function in the electronic version to find the topics of interest for you quickly.
Online guides	Our online guides provide detailed information on technical basics and terms.
Personal consultation	For personal consultation please contact our technical hotline.
Service	If you have any problems with the device the customer service will gladly assist you.

1.2 Notational conventions

This manual uses the following notational conventions:

Letterings

The letterings for connectors and controls are marked by square brackets and italics.

Examples: *[VOLUME]* control, *[Mono]* button.



Displays


Texts and values displayed on the device are marked by quotation marks and italics.

Examples: *'24ch'*, *'OFF'*.

1.3 Symbols and signal words

In this section you will find an overview of the meaning of symbols and signal words that are used in this manual.

Signal word	Meaning
DANGER!	This combination of symbol and signal word indicates an immediate dangerous situation that will result in death or serious injury if it is not avoided.
WARNING!	This combination of symbol and signal word indicates a possible dangerous situation that can result in death or serious injury if it is not avoided.
NOTICE!	This combination of symbol and signal word indicates a possible dangerous situation that can result in material and environmental damage if it is not avoided.
Warning signs	Type of danger
	Warning – high-voltage.
	Warning – dangerous optical radiation.

Warning signs	Type of danger
	Warning – danger zone.

2 Safety instructions

Intended use

This device is intended for use as an electronic lighting effect by means of LED technology. The device is designed for professional use and is not suitable for use in households. Use the device only as described in this user manual. Any other use or use under other operating conditions is considered to be improper and may result in personal injury or property damage. No liability will be assumed for damages resulting from improper use.

This device may be used only by persons with sufficient physical, sensorial, and intellectual abilities and having corresponding knowledge and experience. Other persons may use this device only if they are supervised or instructed by a person who is responsible for their safety.

Extend the life of the device by regular breaks in operation and avoid switching it on and off frequently. This device is not suitable for continuous use.

Safety



DANGER!

Danger for children

Ensure that plastic bags, packaging, etc. are disposed of properly and are not within reach of babies and young children. Choking hazard!

Ensure that children do not detach any small parts (e.g. knobs or the like) from the unit. They could swallow the pieces and choke!

Never let children unattended use electrical devices.



DANGER!

Electric shock caused by high voltages inside

Within the device there are areas where high voltages may be present. Never remove any covers.

There are no user-serviceable parts inside.

Do not use the device if covers, protectors or optical components are missing or damaged.



DANGER!

Electric shock caused by short-circuit

Always use proper ready-made insulated mains cabling (power cord) with a protective contact plug. Do not modify the mains cable or the plug. Failure to do so could result in electric shock/death or fire. If in doubt, seek advice from a registered electrician.



WARNING!

Eye damage caused by high light intensity

Never look directly into the light source.



WARNING!

Risk of epileptic shock

Strobe lighting can trigger seizures in photosensitive epilepsy. Sensitive persons should avoid looking at strobe lights.



WARNING!

Incorrect handling of lithium batteries can result in injury

In the event of a short circuit, overheating or mechanical damage, lithium batteries can cause severe injuries.

Follow the advice on the correct handling of lithium batteries in the present section.



NOTICE!

Risk of fire

Do not block areas of ventilation. Do not install the device near any direct heat source. Keep the device away from naked flames.

**NOTICE!****Operating conditions**

This device has been designed for indoor use only. To prevent damage, never expose the device to any liquid or moisture. Avoid direct sunlight, heavy dirt, and strong vibrations.

Only operate the device within the ambient conditions specified in the chapter 'Technical specifications' of this user manual. Avoid heavy temperature fluctuations and do not switch the device on immediately after it was exposed to temperature fluctuations (for example after transport at low outside temperatures).

Dust and dirt inside can damage the unit. When operated in harmful ambient conditions (dust, smoke, nicotine, fog, etc.), the unit should be maintained by qualified service personnel at regular intervals to prevent overheating and other malfunction.



NOTICE!

Power supply

Before connecting the device, ensure that the input voltage (AC outlet) matches the voltage rating of the device and that the AC outlet is protected by a residual current circuit breaker. Failure to do so could result in damage to the device and possibly injure the user.

Unplug the device before electrical storms occur and when it is unused for long periods of time to reduce the risk of electric shock or fire.



NOTICE!

Possible damage due to installation of a wrong fuse

The use of different types of fuses can cause serious damage to the unit. Fire hazard!

Only fuses of the same type may be used.



NOTICE!

Damages due to disconnection during operation

Only operate the unit when all spotlights are connected.

The disconnection of LED spotlights during operation may damage the unit. Disconnect the unit from the power supply before disconnecting LED spotlights.

3 Features

The LED lighting set is particularly suitable for flexible wireless use in clubs, on stages, etc.

Special features of the device:

- Four LED spotlights with each three 4-in-1 LEDs (RGBW)
- Four LED front spots (WW)
- Control options:
 - DMX-512
 - Buttons and display on the unit
 - Wireless foot switch (included)
- Automatic mode
- Sound control
- Master / slave mode
- Suitable for mains and battery operation
- Doubled battery compartment to replace the lithium batteries during operation
- Precise charge indication
- Easy transport, easy mounting
- Gig bag included

For technological reasons, the light output of LEDs decreases over their lifetime. This effect increases with higher operating temperature. You can extend the service life of the illuminants by providing adequate ventilation and operating the LEDs with the lowest possible brightness.

4 Installation

Unpack and check carefully there is no transportation damage before using the unit. Keep the equipment packaging. To fully protect the product against vibration, dust and moisture during transportation or storage use the original packaging or your own packaging material suitable for transport or storage, respectively.

Power supply

The unit can be operated either with mains voltage or with rechargeable lithium batteries (included). Observe the following notes when handling lithium batteries:

- On proper and correct handling, lithium batteries are not a hazard.
- Store lithium batteries cool and dry, preferably in the original packaging.
- Keep lithium batteries away from sources of heat (e.g. radiators or solar radiation). Lithium batteries are hermetically sealed. Never try to open lithium batteries.
- If the battery housing is damaged, small amounts of electrolyte can escape. In this case, wrap the lithium battery airtight and absorb electrolyte residues with absorbent paper while wearing rubber gloves. Clean the ground and hands with cold water.
- Never attempt to recharge lithium batteries that are not intended to be recharged. Only suitable chargers may be used for charging.

- Remove lithium batteries from the device before disposal. Protect used lithium batteries against short circuit, for example by taping the poles.
- Burning lithium batteries may only be extinguished with powder extinguishers or other suitable extinguishing agents.

Charging the lithium batteries

The lithium batteries can be charged either during mains operation or with a separate charger. In mains operation, charging takes about three hours.



NOTICE!

Damages due to disconnection during operation

Only operate the unit when all spotlights are connected.

The disconnection of LED spotlights during operation may damage the unit. Disconnect the unit from the power supply before disconnecting LED spotlights.



NOTICE!

Risk of overheating

The distance between light output and the illuminated surface must be more than 1.5 m (19.7in).

Provide sufficient ventilation.

The ambient temperature must always be below 40 °C (104 °F).



NOTICE!

Use of stands

When mounting the device onto a stand, ensure that the stand is in a safe and stable position and that the weight of the device does not exceed the maximum permissible load capacity of the stand.



NOTICE!

Possible data transmission errors

For error-free operation make use of dedicated DMX cables and do not use ordinary microphone cables.

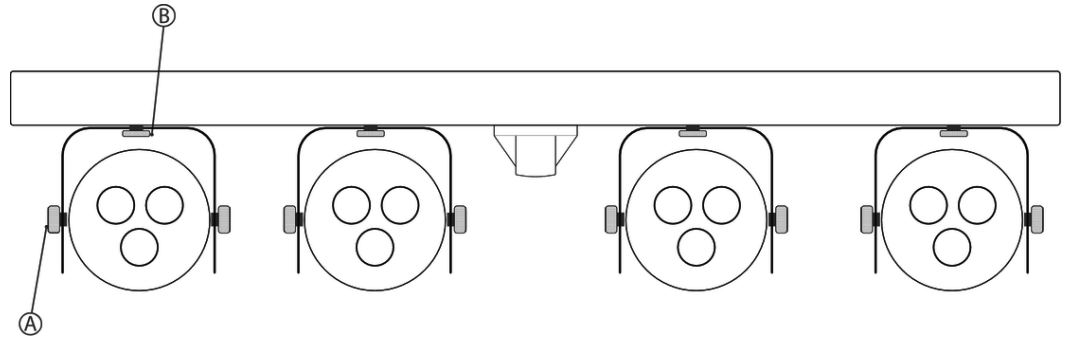
Never connect the DMX input or output to audio devices such as mixers or amplifiers.



Please note that this device must not be connected to a dimmer.

Pre-mounted spots

The four spots are pre-mounted on the T-bar and factory-wired.



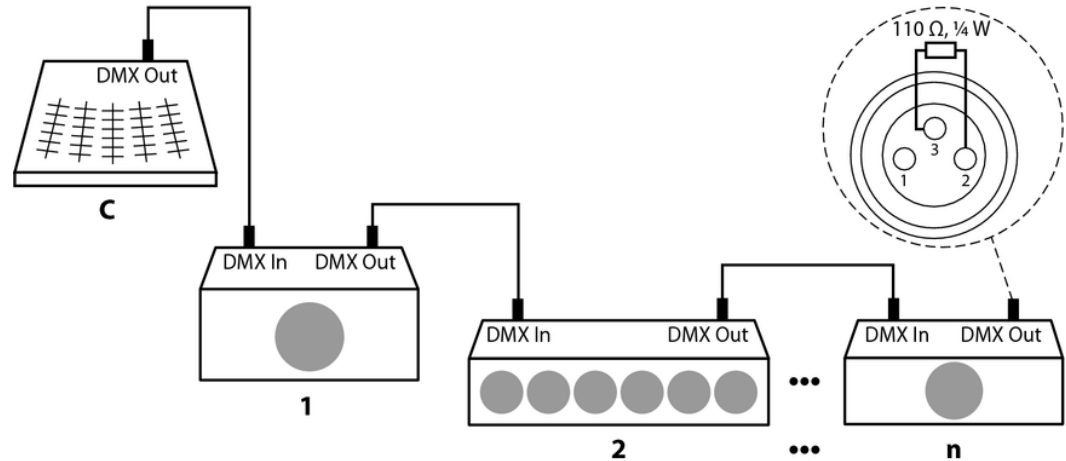
A	Locking screw for fixing the inclination angle.
B	Locking screws for fixing the spots on the T-bar and the horizontal orientation (dispersion direction).

5 Starting up

Create all connections while the device is off. Use the shortest possible high-quality cables for all connections. Take care when running the cables to prevent tripping hazards.

Connections in DMX mode

Connect the DMX input of the device to the DMX output of a DMX controller or another DMX device. Connect the output of the first DMX device to the input of the second one, and so on to form a daisy chain. Always ensure that the output of the last DMX device in the daisy chain is terminated with a resistor ($110\ \Omega$, $\frac{1}{4}\text{ W}$).



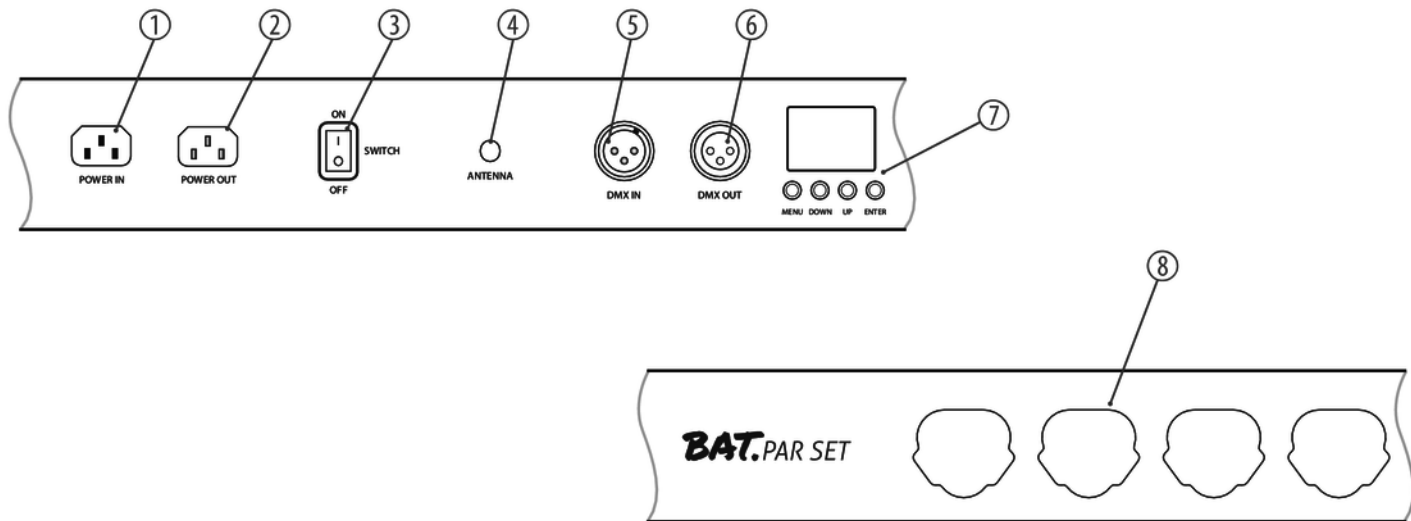
DMX indicator

When the device and the DMX controller are operational, the DMX indicator in the display shows that a DMX signal is being received on the input.

Connections in master/slave mode

When you configure a group of devices in master/slave mode, the first unit will control the other units for an automatic, sound-activated, synchronized show. This function is ideal when you want to start a show immediately. Connect the DMX output of the master device to the DMX input of the first slave device. Then connect the DMX output of the first slave device to the DMX input of the second slave device and so on.

6 Connections and controls



1	<i>[POWER IN]</i> IEC chassis plug for mains connection.
2	<i>[POWER OUT]</i> IEC chassis socket for the power supply cable to the next unit.
3	<i>[SWITCH]</i> Main switch to turn the device on and off.
4	<i>[ANTENNA]</i> Antenna for receiving the foot switch signals.
5	<i>[DMX IN]</i> DMX input.
6	<i>[DMX OUT]</i> DMX output.
7	Display with function buttons.

[MENU]

Activates the main menu and toggles between menu items. Closes an opened submenu.

[UP]

Increases the displayed value by one.

[DOWN]

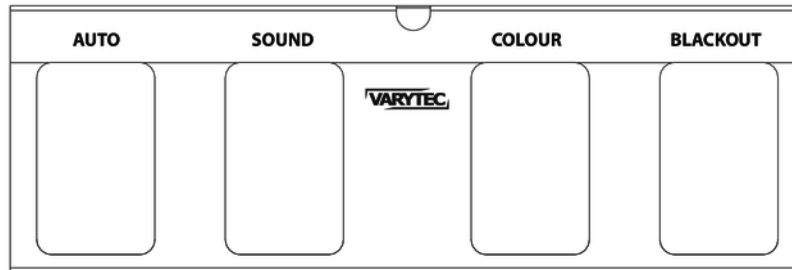
Decreases the displayed value by one.

[ENTER]

Selects an option of the respective operating mode, confirms the set value.

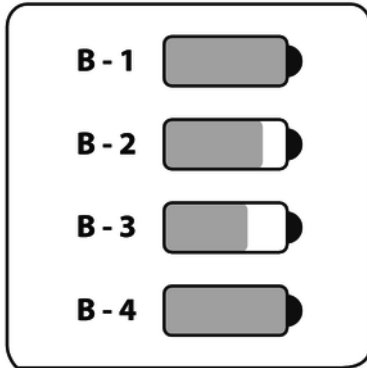
8 Battery holder

To unlock, press the two side push buttons and remove the insert. Always ensure that the insert snaps in correctly during assembly.

Foot switch

<i>[AUTO]</i>	Press this button to activate the 'Automatic' mode.
<i>[SOUND]</i>	Press this button to activate the 'Sound control' mode.
<i>[COLOR]</i>	Press this button several times repeatedly to call up the various colour settings.
<i>[BLACKOUT]</i>	Press this switch to blackout all LEDs.

Charge level indicator



The charge level indicator can be accessed on the device display for each of the four batteries inserted. The bar length and the colour coding symbolically show the remaining load capacity. This display appears when the unit is powered with the mains switch turned off.

7 Operating

7.1 Operating on the unit

Connect the device to the power supply to start operation. All functions of the device are controlled via the buttons and display on the unit as well as the supplied wireless foot switch.

Press *[MENU]* to open the main menu. Use *[UP]* and *[DOWN]* to change the respectively indicated value. When the display shows the desired value press *[ENTER]*.

DMX mode

This setting is only relevant when the device is controlled via DMX.

Press *[MENU]* repeatedly until the display shows 'RUN MODE'. Use *[UP]* or *[DOWN]* to select the option 'DMX' for operating the device in DMX mode. Confirm with *[ENTER]* and use *[UP]* or *[DOWN]* to select the desired DMX mode.

Mode	Display	Highest possible DMX address
6-channel	'CHANNEL 06'	507
8-channel	'CHANNEL 08'	505
10-channel	'CHANNEL 10'	503
13-channel	'CHANNEL 13'	500
14-channel	'CHANNEL 14'	499
20-channel	'CHANNEL 20'	493
24-channel	'CHANNEL 24'	489

Confirm with *[ENTER]*. Now you can set the number of the first DMX channel to be used by the device (DMX address). Use *[UP]* or *[DOWN]* to select a value between 1 and 512.

Operating mode Slave

In this mode, the device exactly follows the operation of the master that it is connected to.

Press *[MENU]* repeatedly until the display shows 'RUN MODE'. Use *[UP]* or *[DOWN]* to select the option 'SLAVE' for operating the device in Slave mode. Confirm with *[ENTER]*.

Operating mode Auto

In this mode, programmed patterns are played with the selected colour settings of the unit one by one. This setting is only relevant if the device is not controlled via DMX.

Press *[MENU]* repeatedly until the display shows 'AUTO'. Confirm with *[ENTER]*.

Use *[UP]* or *[DOWN]* to select the option 'AUTO SPEED' and confirm with *[ENTER]*. Use *[UP]* or *[DOWN]* to set the programme speed in a range from '01' (slow) to '31' (fast). Confirm again with *[ENTER]* to apply the setting.

Then use *[UP]* or *[DOWN]* to select the option 'AUTO MODE' and confirm with *[ENTER]*. Use *[UP]* or *[DOWN]* to set the desired auto mode in a range from '01' to '15'. Confirm again with *[ENTER]* to apply the setting.

Sound mode

Sound mode can only be activated when the unit is operated alone. This setting is only relevant if the device is not controlled via DMX. In this operating mode, the device responds to acoustic pulses which are recorded by the integrated microphone.

Press *[MENU]* repeatedly until the display shows 'SOUND'. Confirm with *[ENTER]*.

Use *[UP]* or *[DOWN]* to select the option 'SOUND SENS' and confirm with *[ENTER]*. Use *[UP]* or *[DOWN]* to set the sensitivity of the built-in microphone in a range from '00' (off) to '99' (maximum). Confirm again with *[ENTER]* to apply the setting.

Then use *[UP]* or *[DOWN]* to select the option 'SOUND MODE' and confirm with *[ENTER]*. Use *[UP]* or *[DOWN]* to set the desired sound mode in a range from '01' to '04'. Confirm again with *[ENTER]* to apply the setting.

Constant colour pattern

In this mode, you can manually set a constant colour pattern for all LEDs. This setting is only relevant if the device is not controlled via DMX.

Press *[MENU]* repeatedly until the display shows 'STAT COLO'. Confirm with *[ENTER]* and use *[UP]* or *[DOWN]* to select the option 'SELECT COLOR'. Confirm again with *[ENTER]* and select the desired colour macro in a range from '01' to '51'.

7.2 System settings

In the SETUP menu, you have the option of adjusting various device parameters, retrieving device information and resetting the device to the factory defaults.

Press *[MENU]* repeatedly until the display shows 'SETUP'. Use *[UP]* or *[DOWN]* to successively select the following options and adjust the values as desired:

Parameter	Value range	Function
Fixture sta	ON, OFF	Static colours all spots
ID number	OFF, 1 ... 66	Device ID within the DMX universe
Display LED	ON (10 s, 30 s), OFF	Turning the display on and off
Key Locks	ON, OFF	Turning the key lock on and off
Dimmer RED	0 ... 255	Dimmer preset red, 0 % to 100 %
Dimmer GREEN	0 ... 255	Dimmer preset green, 0 % to 100 %
Dimmer BLUE	0 ... 255	Dimmer preset blue, 0 % to 100 %

Parameter	Value range	Function
Dimmer WHITE	0 ... 255	Dimmer preset cold white, 0 % to 100 %
Dimmer Warm1	0 ... 255	Dimmer preset front spot 1, 0 % to 100 %
Dimmer Warm2	0 ... 255	Dimmer preset front spot 2, 0 % to 100 %
Dimmer Warm3	0 ... 255	Dimmer preset front spot 3, 0 % to 100 %
Dimmer Warm4	0 ... 255	Dimmer preset front spot 4, 0 % to 100 %
Dimmer ALL	0 ... 255	Master dimmer, 0 ... 100%
Wireless rel		Pressing <i>[UP]</i> or <i>[DOWN]</i> ends the radio connection
Work mode	High, Normal	Power saving mode. In High mode, the device operates at a power of 100 %. In normal mode, the power is reduced to 80 %. This allows for a longer battery operation.
Wireless sta	ON, OFF	Foot switch operation on / off

Confirm the selection each time with *[ENTER]* to accept the changes.

Colour intensity all spots

In this menu, you can manually adjust the intensity of the basic colours for all LEDs. This setting is only relevant if the device is not controlled via DMX.

Press *[MENU]* repeatedly until the display shows *'STAT COLO'*. Use *[UP]* or *[DOWN]* to select one of the following options:

- *'STAT RED'* (red)
- *'STAT GREEN'* (green)
- *'STAT BLUE'* (blue)
- *'STAT WHITE'* (cold white)
- *'STAT WARM1'* ... *'STAT WARM4'* (warm white front spot 1 ... 4)

Confirm the selection each time with *[ENTER]*. Use *[UP]* or *[DOWN]* to set the colour intensity in a range from *'000'* to *'255'*. Confirm again with *[ENTER]* to apply the setting.

Colour intensity individual spots

In this menu, you can manually adjust the intensity of the basic colours for individual spots. This setting is only relevant if the device is not controlled via DMX.

Press *[MENU]* repeatedly until the display shows 'MANUALLEDs'. Use *[UP]* or *[DOWN]* to select one of the following options:

- 'LED': assign a colour (red, green, blue, cold white) to spot 1 ... 4 using *[UP]* or *[DOWN]*.
- 'WARM': set the colour intensity for front spots 1 ... 4 using *[UP]* or *[DOWN]*.

Confirm the selection each time with *[ENTER]*. Use *[UP]* or *[DOWN]* to set the colour intensity in a range from '000' to '255'. Confirm again with *[ENTER]* to apply the setting.

Device info

Press *[MENU]* repeatedly until the display shows 'INFORMATION'.

Use *[UP]* or *[DOWN]* to select the option 'SOFTWARE' to read out the version number of the installed software.

Then use *[UP]* or *[DOWN]* to select the option 'HARDWARE' to read out the version number of the hardware.

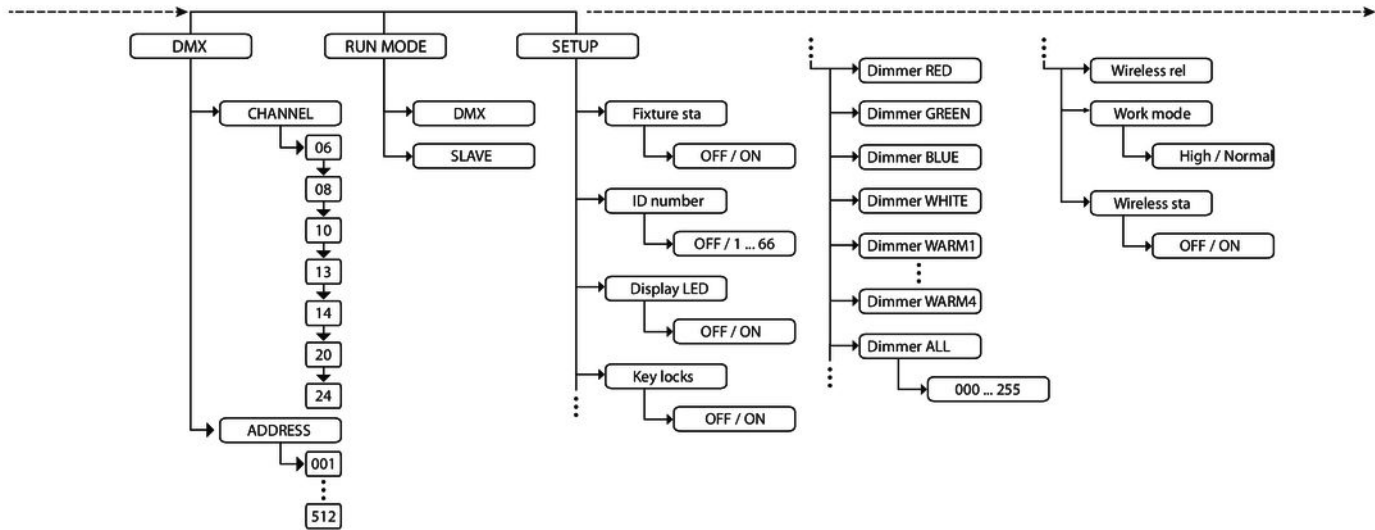
Then use *[UP]* or *[DOWN]* to select the option 'FIX TIMES' to retrieve the current turn-on time of the spots.

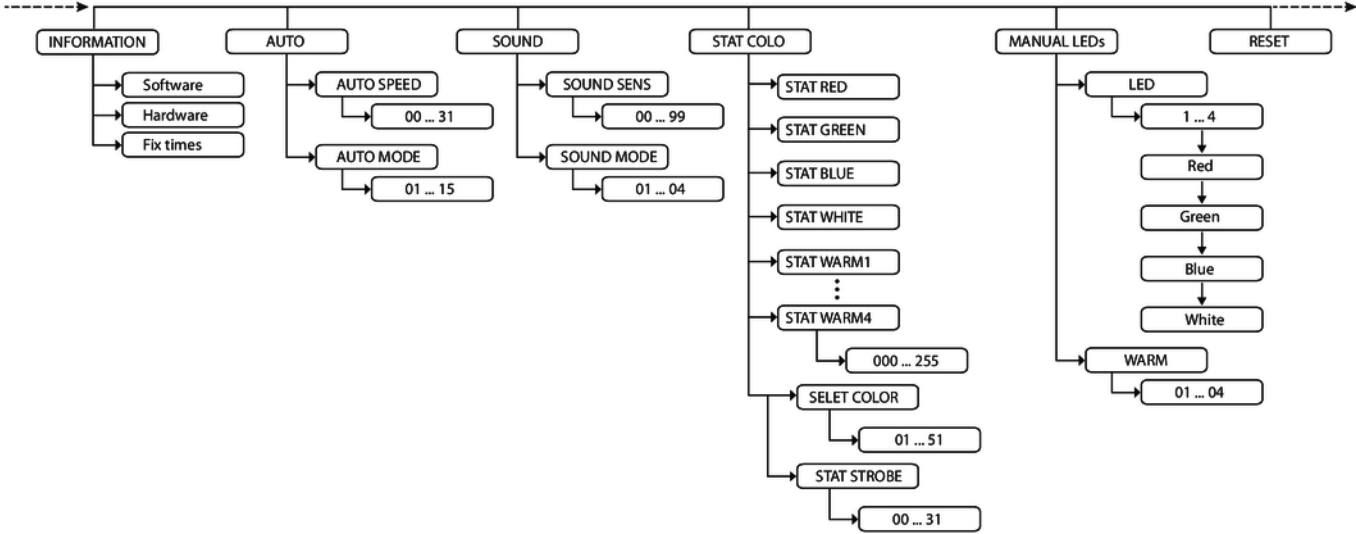
Reset to factory defaults

Proceed as follows to reset the device to factory defaults:

Press *[MENU]* repeatedly until the display shows 'RESET' and confirm with *[ENTER]*.

7.3 Menu overview





7.4 Functions in 6-channel DMX mode

Channel	Value	Function
1	0 ... 255	Intensity red (0 % to 100 %)
2	0 ... 255	Intensity green (0 % to 100 %)
3	0 ... 255	Intensity blue (0 % to 100 %)
4	0 ... 255	Intensity white (0 % to 100 %)
5	0 ... 255	Intensity warm white front spot 1 ... 4 (0 % to 100 %)
6	0 ... 255	Dimmer (0 % to 100 %) front spot 1 to 4

7.5 Functions in 8-channel DMX mode

Channel	Value	Function
1	0 ... 255	Colour selection
2	0 ... 255	Saturation
3	0 ... 255	Brightness
4	0 ... 255	Intensity warm white front spot 1 (0 % to 100 %)
5	0 ... 255	Intensity warm white front spot 2 (0 % to 100 %)
6	0 ... 255	Intensity warm white front spot 3 (0 % to 100 %)
7	0 ... 255	Intensity warm white front spot 4 (0 % to 100 %)
8	0 ... 255	Dimmer (0 % to 100 %) front spot 1 to 4

7.6 Functions in 10-channel DMX mode

Channel	Value	Function
1	0 ... 255	Master dimmer (0 % to 100 %)
2	0 ... 255	Intensity red (0 % to 100 %)
3	0 ... 255	Intensity green (0 % to 100 %)
4	0 ... 255	Intensity blue (0 % to 100 %)
5	0 ... 255	Intensity white (0 % to 100 %)
6	0 ... 255	Intensity warm white front spot 1 (0 % to 100 %)
7	0 ... 255	Intensity warm white front spot 2 (0 % to 100 %)
8	0 ... 255	Intensity warm white front spot 3 (0 % to 100 %)
9	0 ... 255	Intensity warm white front spot 4 (0 % to 100 %)
10	0 ... 255	Dimmer (0 % to 100 %) front spot 1 to 4

7.7 Functions in 13-channel DMX mode

Channel	Value	Function
1	0 ... 255	Master dimmer (0 % to 100 %)
2	0 ... 255	Intensity red (0 % to 100 %)
3	0 ... 255	Intensity green (0 % to 100 %)
4	0 ... 255	Intensity blue (0 % to 100 %)
5	0 ... 255	Intensity white (0 % to 100 %)
6	0 ... 255	Intensity warm white front spot 1 (0 % to 100 %)
7	0 ... 255	Intensity warm white front spot 2 (0 % to 100 %)
8	0 ... 255	Intensity warm white front spot 3 (0 % to 100 %)
9	0 ... 255	Intensity warm white front spot 4 (0 % to 100 %)
10	0 ... 255	Dimmer (0 % to 100 %) front spot 1 to 4
11	0 ... 6	No function

Channel	Value	Function
	7 ... 255	Colour macro selection
12	Fixed colour selection	
	0 ... 19	No function
	20 ... 23	Red
	24 ... 27	Green
	28 ... 31	Blue
	32 ... 35	Yellow
	36 ... 39	Cyan
	40 ... 43	Magenta
	44 ... 47	Cold white
	48 ... 51	Orange
	52 ... 55	Pink
	56 ... 59	Purple

Channel	Value	Function
	60 ... 63	Aquamarine
	64 ... 67	Sky-blue
	68 ... 71	Neutral white
	72 ... 75	Cold white
	76 ... 79	Warm white
	80 ... 83	White 3200
	84 ... 87	White 2500
	88 ... 91	Yellow 2
	92 ... 95	Straw yellow
	96 ... 99	Orange 2
	100 ... 103	Bright pink
	104 ... 107	Dark purple
	108 ... 111	Magenta 2

Channel	Value	Function
	112 ... 115	Blue 2
	116 ... 119	Blue-green
	120 ... 123	Dark blue
	124 ... 127	Bright pink
	128 ... 131	Medium blue
	132 ... 135	Amber
	136 ... 139	Gold amber
	140 ... 143	Pale lavender
	144 ... 147	Apricot
	148 ... 151	Dark lavender
	152 ... 155	Chocolate
	156 ... 159	Blue
	160 ... 163	Surprise pink

Channel	Value	Function
	164 ... 167	Scarlet red
	168 ... 171	Apricot
	172 ... 175	Fire red
	176 ... 179	English rose
	180 ... 183	Malva
	184 ... 187	Light blue
	188 ... 191	Alice blue
	192 ... 195	Indigo rose
	196 ... 199	Urban blue
	200 ... 203	Ice blue
	204 ... 207	Salmon-coloured
	208 ... 211	Maya sun
	212 ... 215	Strawberry rose

Channel	Value	Function
	216 ... 219	Pink rose
	220 ... 223	Skelton Exotic Sangria
	224 ... 255	Amb64 – 67 Blue Sky
13	0 ... 255	Strobe effect

7.8 Functions in 14-channel DMX mode

Channel	Value	Function
1	0 ... 255	Master dimmer (0 % to 100 %)
2	0 ... 255	Intensity red (0 % to 100 %)
3	0 ... 255	Intensity green (0 % to 100 %)
4	0 ... 255	Intensity blue (0 % to 100 %)

Channel	Value	Function
5	0 ... 255	Intensity white (0 % to 100 %)
6	0 ... 255	Intensity warm white front spot 1 (0 % to 100 %)
7	0 ... 255	Intensity warm white front spot 2 (0 % to 100 %)
8	0 ... 255	Intensity warm white front spot 3 (0 % to 100 %)
9	0 ... 255	Intensity warm white front spot 4 (0 % to 100 %)
10	0 ... 255	Dimmer (0 % to 100 %) front spot 1 to 4
11	0 ... 255	Strobe effect
12	0 ... 255	Auto mode, Sound mode
13	0 ... 255	Programme speed Auto mode, microphone sensitivity Sound mode
14	0 ... 255	Device ID

7.9 Functions in 20-channel DMX mode

Channel	Value	Function
1	0 ... 255	All LEDs spot 1 red
2	0 ... 255	All LEDs spot 1 green
3	0 ... 255	All LEDs spot 1 blue
4	0 ... 255	All LEDs spot 1 cold white
5	0 ... 255	All LEDs spot 2 red
6	0 ... 255	All LEDs spot 2 green
7	0 ... 255	All LEDs spot 2 blue
8	0 ... 255	All LEDs spot 2 cold white
9	0 ... 255	All LEDs spot 3 red
10	0 ... 255	All LEDs spot 3 green
11	0 ... 255	All LEDs spot 3 blue

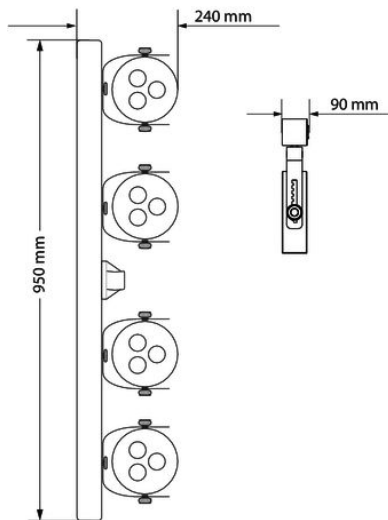
Channel	Value	Function
12	0 ... 255	All LEDs spot 3 cold white
13	0 ... 255	All LEDs spot 4 red
14	0 ... 255	All LEDs spot 4 green
15	0 ... 255	All LEDs spot 4 blue
16	0 ... 255	All LEDs spot 4 cold white
17	0 ... 255	Intensity warm white front spot 1 (0 % to 100 %)
18	0 ... 255	Intensity warm white front spot 2 (0 % to 100 %)
19	0 ... 255	Intensity warm white front spot 3 (0 % to 100 %)
20	0 ... 255	Intensity warm white front spot 4 (0 % to 100 %)

7.10 Functions in 24-channel DMX mode

Channel	Value	Function
1	0 ... 255	Master dimmer (0 % to 100 %)
2	0 ... 255	All LEDs spot 1 red
3	0 ... 255	All LEDs spot 1 green
4	0 ... 255	All LEDs spot 1 blue
5	0 ... 255	All LEDs spot 1 cold white
6	0 ... 255	All LEDs spot 2 red
7	0 ... 255	All LEDs spot 2 green
8	0 ... 255	All LEDs spot 2 blue
9	0 ... 255	All LEDs spot 2 cold white
10	0 ... 255	All LEDs spot 3 red
11	0 ... 255	All LEDs spot 3 green

Channel	Value	Function
12	0 ... 255	All LEDs spot 3 blue
13	0 ... 255	All LEDs spot 3 cold white
14	0 ... 255	All LEDs spot 4 red
15	0 ... 255	All LEDs spot 4 green
16	0 ... 255	All LEDs spot 4 blue
17	0 ... 255	All LEDs spot 4 cold white
18	0 ... 255	Intensity warm white front spot 1 (0 % to 100 %)
19	0 ... 255	Intensity warm white front spot 2 (0 % to 100 %)
20	0 ... 255	Intensity warm white front spot 3 (0 % to 100 %)
21	0 ... 255	Intensity warm white front spot 4 (0 % to 100 %)
22	0 ... 255	Strobe effect
23	0 ... 255	Auto mode, Sound mode
24	0 ... 255	Programme speed Auto mode, Microphone sensitivity Sound mode

8 Technical specifications



Light source	4 × spot with each 3 × 4-in-1 LEDs, RGBW, each 8 W	
	4 × stroboscope LED, warm white, each 3 W	
Optical properties	Beam angle	°
	Control	
Control	DMX	
	Foot switch	
	Buttons and display on the unit	
Number of DMX channels	6, 8, 10, 13, 14, 20 or 24	
Input connections	Power supply	IEC chassis plug C14
	DMX control	XLR chassis socket, 3-pin
Output connections	Power supply	IEC chassis plug C13
	DMX control	XLR chassis socket, 3-pin
Power consumption	approx. 108 W	

Supply voltage	100 – 240 V ~ 50/60 Hz	
Fuse	5 mm × 20 mm, 2 A, 250 V, fast-acting	
Battery	Battery type	Lithium-ion
	Voltage	10.8 V
	Capacity	1500 mAh High mode: approx. 5 h Normal mode: approx. 8 h
Degree of protection	IP20	
Mounting options	Stand mounting	
	2 × M8 thread	
Dimensions (W × H × D)	950 mm × 240 mm × 90 mm	
Weight	7 kg	
Ambient conditions	Temperature range	0 °C...40 °C
	Relative humidity	50 %, non-condensing

Further information

Spotlight included	Yes
Effect devices included	No
LED bars included	No
Control included	Foot switch
Stand included	Yes
Case/bag included	Yes

9 Plug and connection assignments

Introduction

This chapter will help you select the right cables and plugs to connect your valuable equipment so that a perfect light experience is guaranteed.

Please take our tips, because especially in 'Sound & Light' caution is indicated: Even if a plug fits into a socket, the result of an incorrect connection may be a destroyed DMX controller, a short circuit or 'just' a not working light show!

DMX connections



The unit offers a 3-pin XLR socket for DMX output and a 3-pin XLR plug for DMX input. Please refer to the drawing and table below for the pin assignment of a suitable XLR plug.

Pin	Configuration
1	Ground, shielding
2	Signal inverted (DMX-, 'cold signal')
3	Signal (DMX+, 'hot signal')

10 Troubleshooting



NOTICE!

Possible data transmission errors

For error-free operation make use of dedicated DMX cables and do not use ordinary microphone cables.

Never connect the DMX input or output to audio devices such as mixers or amplifiers.

In the following we list a few common problems that may occur during operation. We give you some suggestions for easy troubleshooting:

Symptom	Remedy
The unit does not work, no light	Check the mains connection and the fuse.
No response to the DMX controller	<ol style="list-style-type: none"> <li data-bbox="887 295 1524 423">1. If the dot behind the first character of the display is flashing in the DMX mode, no DMX signal is received. Make sure that the DMX controller is turned on. Check the DMX ports and cables for proper connection. <li data-bbox="887 423 1524 501">2. If the display does not flash and still no response, check the address settings and the DMX polarity. <li data-bbox="887 501 1524 555">3. Try using another DMX controller. <li data-bbox="887 555 1524 650">4. Check to see if the DMX cables run near or alongside to high voltage cables that may cause damage or interference to DMX interface circuits.

If the procedures recommended above do not succeed, please contact our Service Center. You can find the contact information at www.thomann.de.

11 Cleaning

Optical lenses

Clean the optical lenses, that are accessible from the outside, regularly in order to optimize the light output. The frequency of cleaning depends on the operating environment: wet, smoky or particularly dirty surroundings can cause more accumulation of dirt on the optics of the device.

- Clean with a soft cloth using our lamp and lens cleaner (item no. 280122).
- Always dry the parts carefully.

12 Protecting the environment

Disposal of the packaging material



For the packaging, environmentally friendly materials have been chosen that can be supplied to normal recycling.

Ensure that plastic bags, packaging, etc. are properly disposed of.

Do not just dispose of these materials with your normal household waste, but make sure that they are collected for recycling. Please follow the notes and markings on the packaging.

Disposal of batteries



Batteries do contain some hazardous chemicals so they should not be thrown away with the normal household waste. They should be returned to the manufacturer for disposal or recycled elsewhere in accordance with your local regulations.

Remove lithium batteries from the device before disposal. Protect used lithium batteries against potential short circuits, e.g. by covering the poles with adhesive tape. Dispose the built-in lithium batteries together with the device. Please check for an appropriate reception facility.

Disposal of your old device



This product is subject to the European Waste Electrical and Electronic Equipment Directive (WEEE) in its currently valid version. Do not dispose with your normal household waste.

Dispose of this device through an approved waste disposal firm or through your local waste facility. When discarding the device, comply with the rules and regulations that apply in your country. If in doubt, consult your local waste disposal facility.

