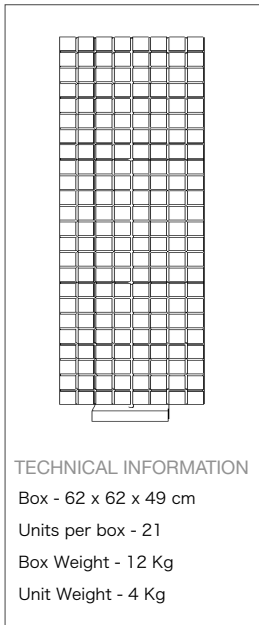


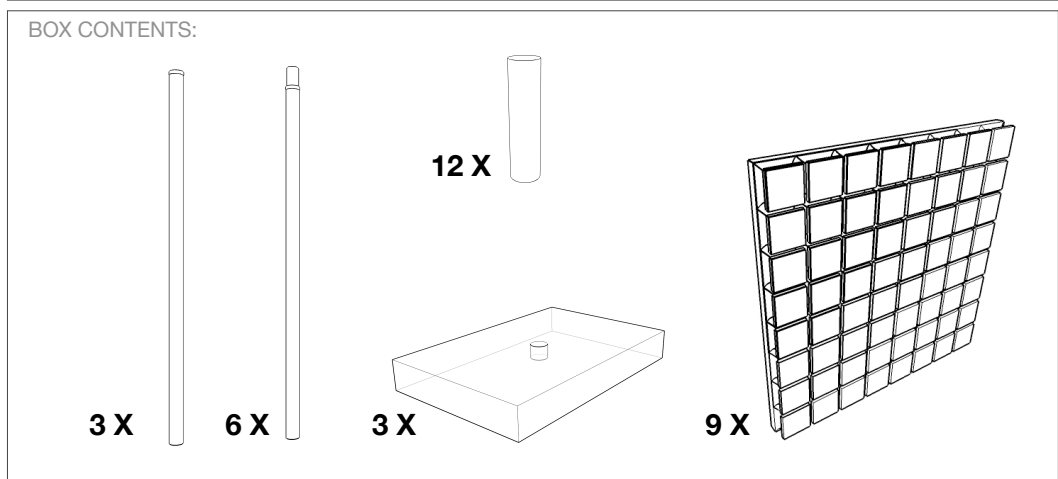
PRODUCT ASSEMBLY

FLEXI WALL

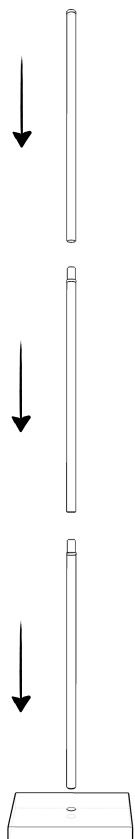


REQUIRED APPARATUS:

- 9 x stainless steel & wooden rods
- 3 x wooden bases
- 9 x acoustic panels
- 12 x foam rods

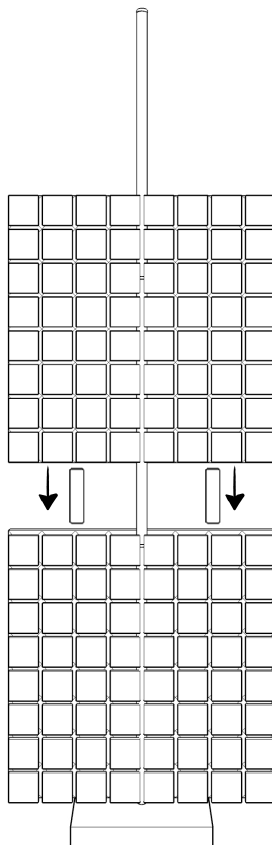


STEP 1



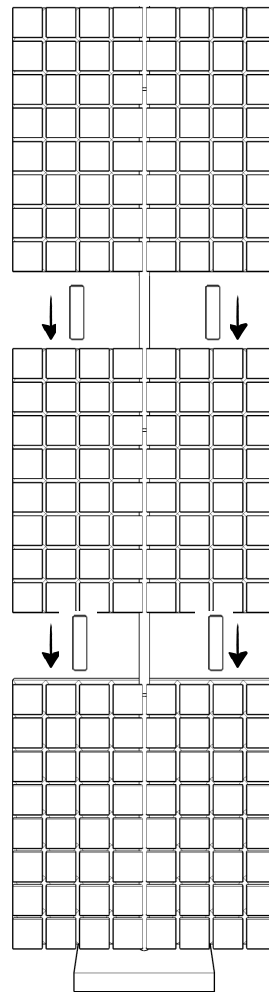
Assemble the stainless steel rods on the wooden base like shown on the image above.

STEP 2



Carefully fit the middle opening of the acoustic panels through the stainless steel rod as shown on the image. And place the foam rods on the left and right of each panel to add stability.

STEP 3



STEP 4

