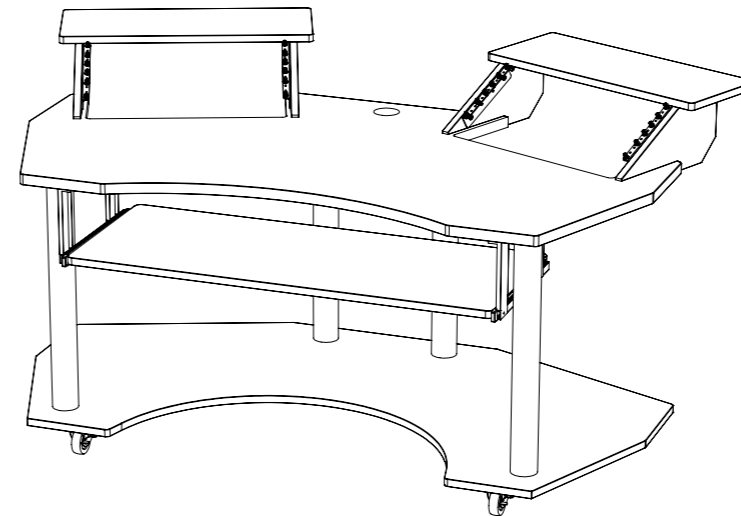


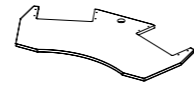





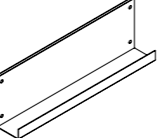










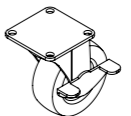
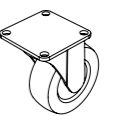
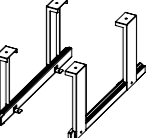
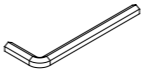
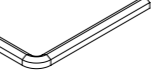
Millenium

SD-180 B StudioDesk
SD-180 N StudioDesk



- spacious worktable for recording studios and production studios
- 5 × 64 casters
- integrated 19" racks with 2 × 4 rack units (RU)
- Material: plastic-coated MDF boards, powder-coated metal
- Surface: oak decor
- Colour: black (SD-180 B), natural (SD-180 N)
- Overall dimensions (W × H × D): 1800 mm × 930 mm × 1020 mm
- Dimensions of monitor space (W × H × D): 600 mm × 18 mm × 240 mm
- Worktop dimensions (W × H × D): 1800 mm × 25 mm × 800 mm
- Keyboard drawer dimensions (W × H × D): 1000 mm × 18 mm × 400 mm
- Weight: 51.42 kg

Scope of delivery

①  1 ×	②  1 ×	③  2 ×	④  2 ×	⑤  2 ×
⑥  1 ×	⑦  1 ×	⑧  4 ×	⑨  2 ×	⑩  2 ×
A  4 ×	B  8 ×	C  8 ×	D  48 ×	E  8 ×
F  8 ×	G  24 ×	H  2 ×	I  3 ×	J  1 ×
K  1 ×	L  1 ×			



Ensure that plastic bags, packaging, etc. are properly disposed of and are not in the reach of babies and young children. Choking hazard! Ensure that children do not detach any small parts (e.g. knobs or the like) from the product. They could swallow the pieces and choke! Never let children play unattended with the product.

Due to the heavy weight of the device, at least two persons are required for transport and installation of the Studio-Desk.



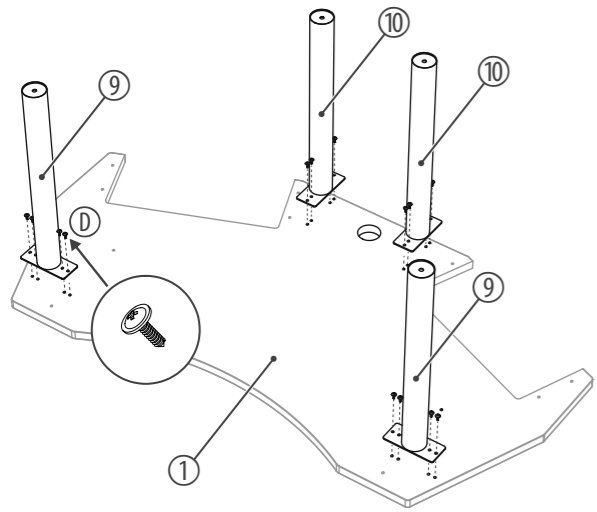
The plasticiser contained in the rubber feet of this product may possibly react with the coating of your parquet, linoleum, laminate or PVC floor and after some time cause permanent dark stains. In case of doubt, do not put the rubber feet directly on the floor, but use felt-pad floor protectors or a carpet.



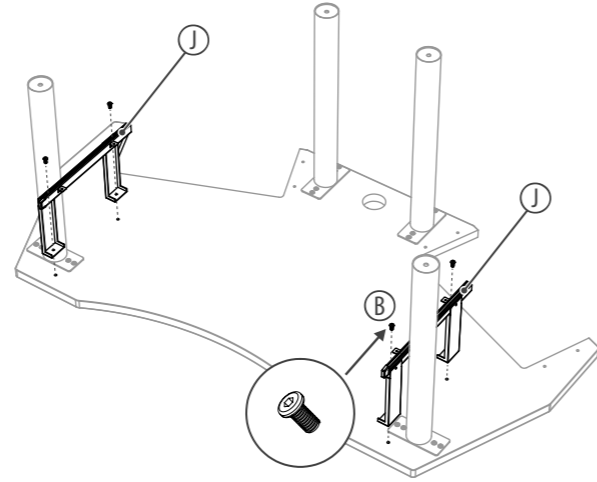
For the packaging, environmentally friendly materials have been chosen that can be supplied to normal recycling. Ensure that plastic bags, packaging, etc. are properly disposed of. Do not just dispose of these materials with your normal household waste, but make sure that they are collected for recycling. Please follow the notes and markings on the packaging.

Assembly instructions

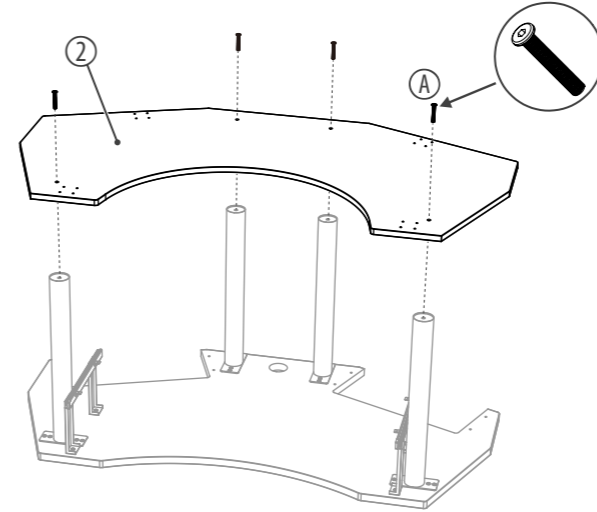
1.



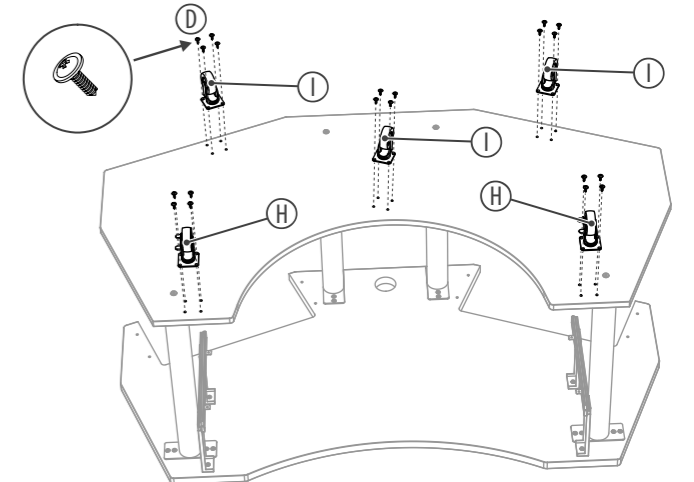
2.



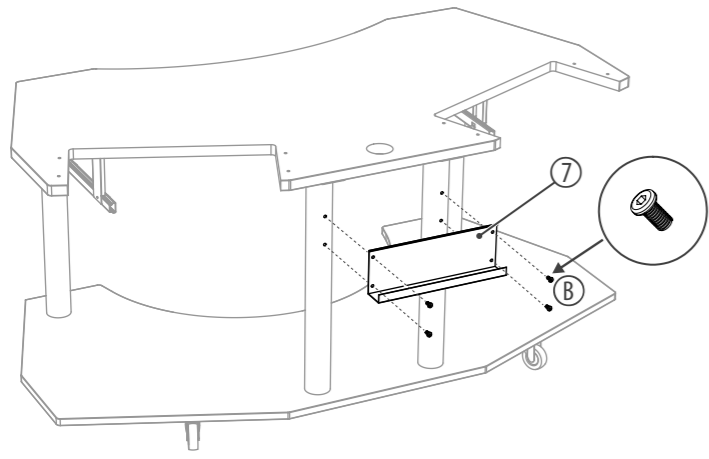
3.



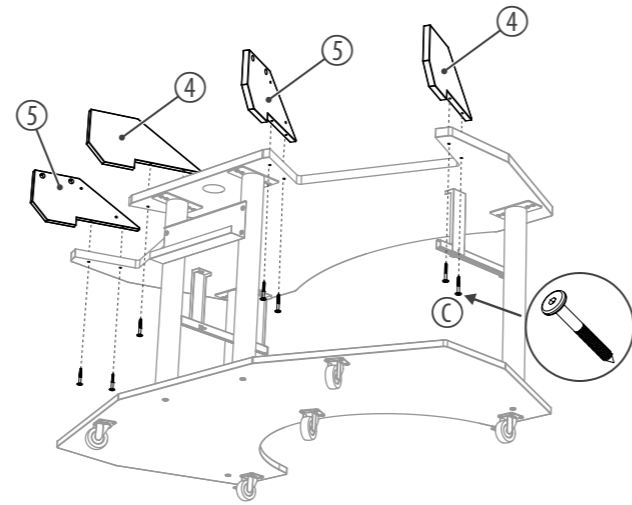
4.



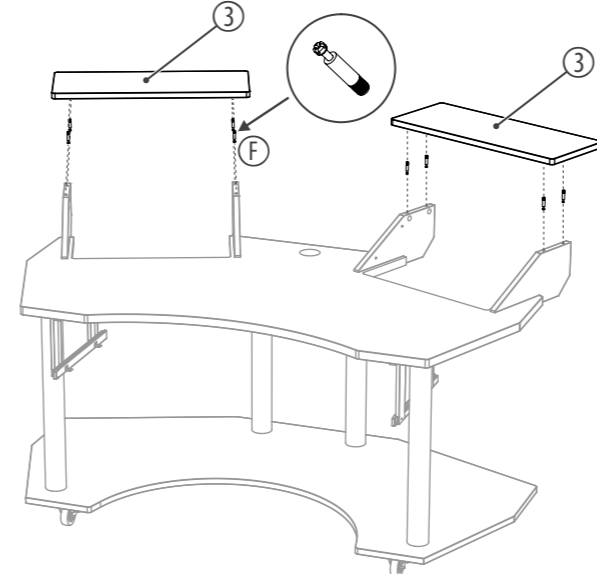
5.



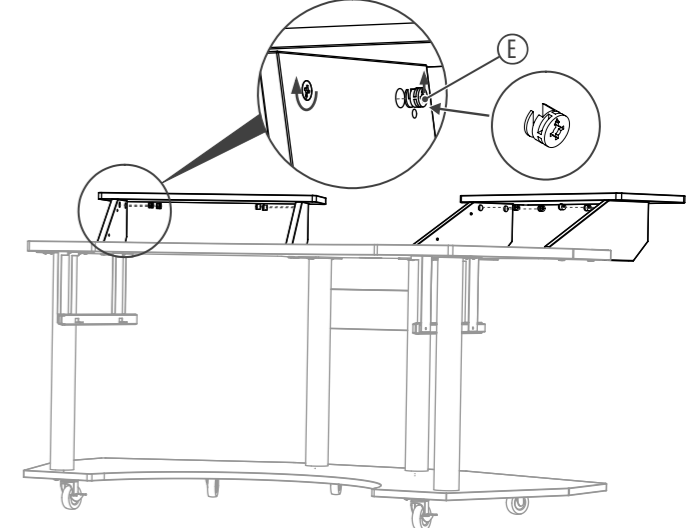
6.



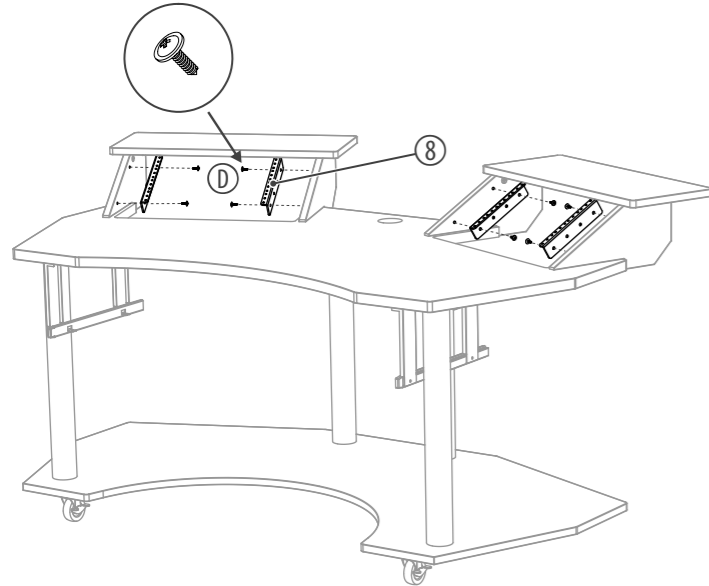
7.



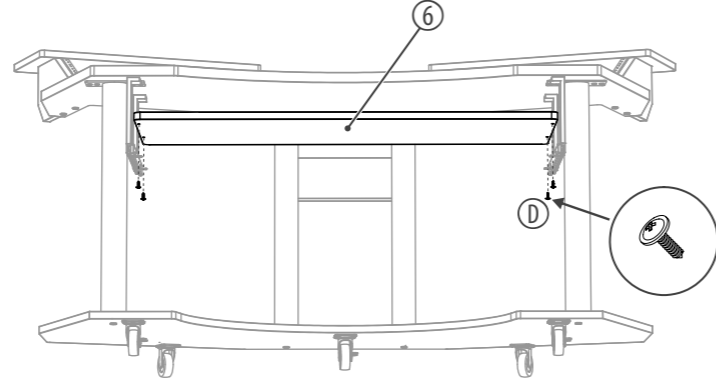
8.



9.



10.



11.

