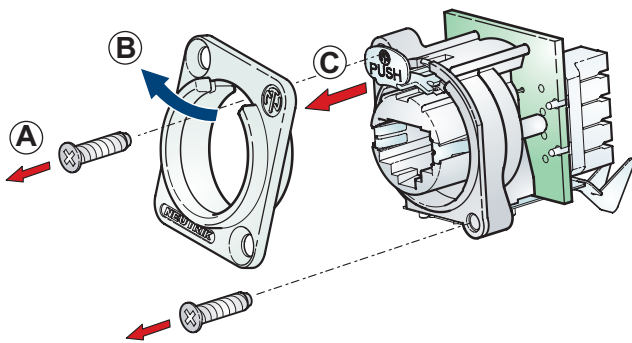
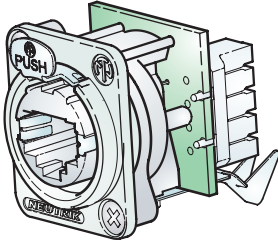


EtherCon® - SE8FD

"Waterproof Kit" for the Receptacle

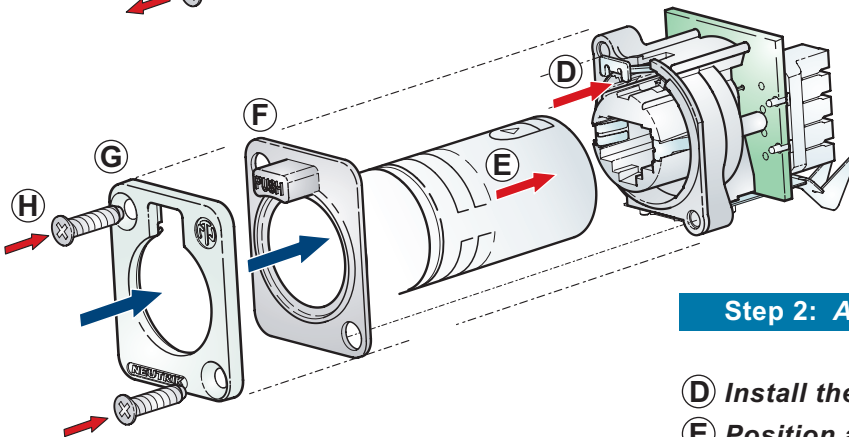
Assembly Instructions

Standard version:



Step 1: Separate the connector

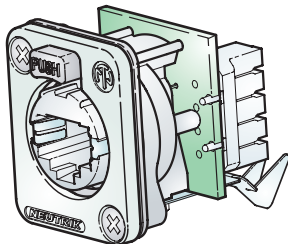
- A** Untighten the screw.
- B** Remove the flange.
- C** Pull out the "Push".



Step 2: Assembly of SE8FD (KIT)

- D** Install the new "Push" into the housing.
- E** Position a cable housing for centering the kit.
- F** Position the rubber gasket.
- G** Finish the installation by mount the flange and
- H** fasten the screw.

Kit with SE8FD:



NOTE:

Lubricate sealing lip with silicon from time to time.

NEUTRIK AG LI T: +423 / 237 24 24 F: +423 / 232 53 93
NEUTRIK Zürich AG CH T: +41 44 / 736 5010 F: +41 44 / 736 5011
NEUTRIK USA Inc. USA T: +1 732 / 901 9488 F: +1 732 / 901 9608
NEUTRIK (UK) Ltd. UK T: +44 1983 / 811 441 F: +44 1983 / 811 439

NEUTRIK Vertriebs GmbH DE/NL/AT T: +49 8131 / 280 890 F: +49 8131 / 280 830
NEUTRIK France FR T: +33 1 / 4131 6750 F: +33 1 / 4131 0511
NEUTRIK Tokyo Ltd. JP T: +81 3 / 3663 4733 F: +81 3 / 3663 4796
NEUTRIK Hong Kong Ltd. HK T: +852 / 2687 6055 F: +852 / 2687 6052

www.neutrik.com



NEUTRIK
CONNECTING THE WORLD

Draft. Nr.: BDA 166 / 3102M1561

Update: 04.06.2007

Data subject to change without prior notice. ©2007 NEUTRIK®. ALL RIGHTS RESERVED.