



STARVILLE

Green Screen Roll-Up 1.5 x 2 m

Quick Start Guide

This quick start guide contains important information on the safe operation of the product. Read and follow the safety advice and instructions given. Retain the manual for future reference. If you pass the product on to others please include this manual.

Safety instructions

Intended use

This device serves as a mobile Chromakey backdrop. Any other use or use under other operating conditions is considered to be improper and may result in personal injury or property damage. No liability will be assumed for damages resulting from improper use.

Danger for children



Ensure that plastic bags, packaging, etc. are disposed of properly and are not within reach of babies and young children. Choking hazard! Ensure that children do not detach any small parts from the product. They could swallow the pieces and choke!

Where to use the product

Never use the product

- in conditions of extreme temperature or humidity
- in extremely dusty or dirty areas
- in locations where the unit can become wet
- on sloping, uneven or insufficiently stable surfaces – risk of falling!

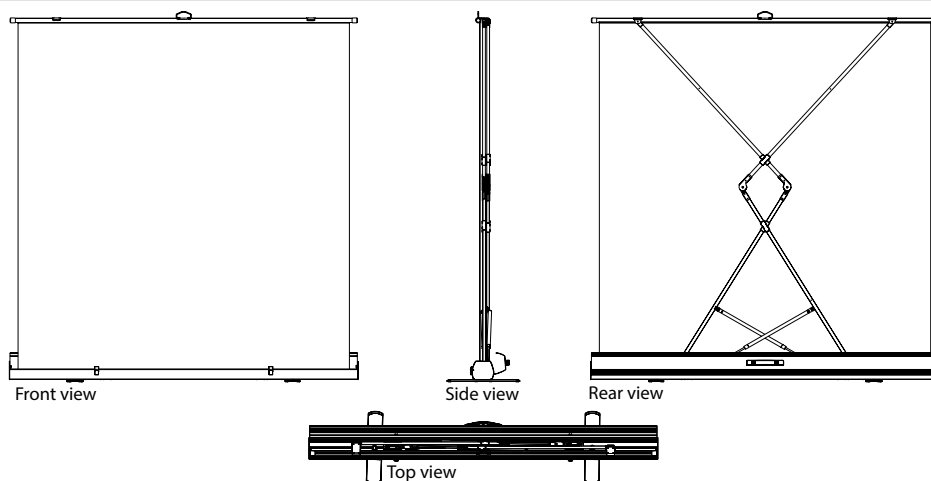
General handling

- To prevent damage, never use force when handling the product.
- Never immerse the product in water. Just wipe it with a clean dry or moist cloth. Do not use liquid cleaners such as benzene, thinners or flammable cleaning agents.

Features

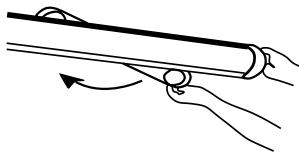
- Mobile Chromakey backdrop
- Easy transport and safe storage thanks to the roll-up system in a stable aluminium case
- Quick assembly and disassembly thanks to two hydraulic supports
- Stable and durable scissor system
- Two foldable feet for a secure stand
- No wrinkles thanks to the automatic roll-up
- High quality Oxford fabric for optimal colour keying

Setup



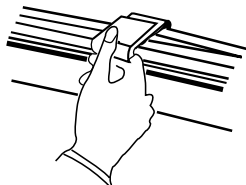
Follow the steps below to assemble the backdrop:

1. Unfold the feet.

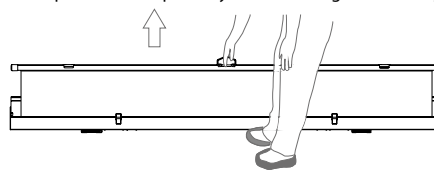


2. Place the backdrop where you want it.

3. Open the two snap locks and fold the cover back.



4. Pull up the backdrop evenly and without great effort by the eyelet in the middle.



5. After use, reverse the order to put the backdrop back together.

Technical specifications

- Dimensions backdrop (W x H): 1.5 m x 2.0 m
- Transport size (W x H x D): 158 mm x 130 mm x 122 mm
- Weight: 9.70 kg



For the transport and protective packaging, environmentally friendly materials have been chosen that can be supplied to normal recycling. Ensure that plastic bags, packaging, etc. are properly disposed of. Do not just dispose of these materials with your normal household waste, but make sure that they are collected for recycling. Please follow the notes and markings on the packaging.