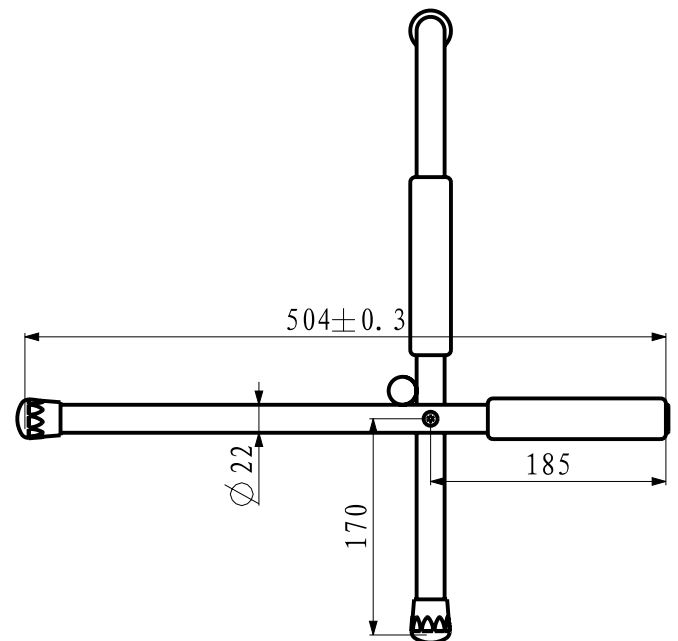
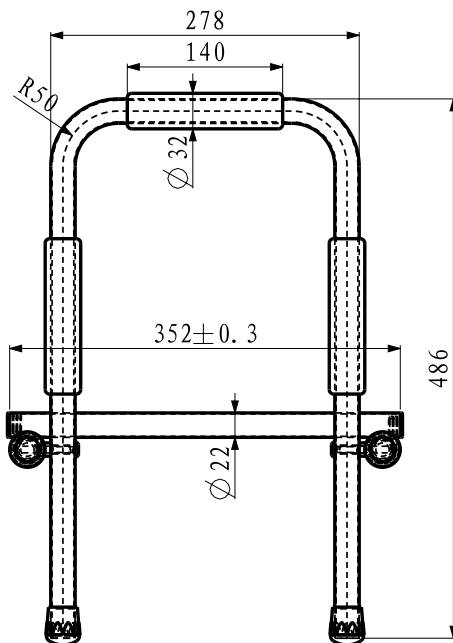
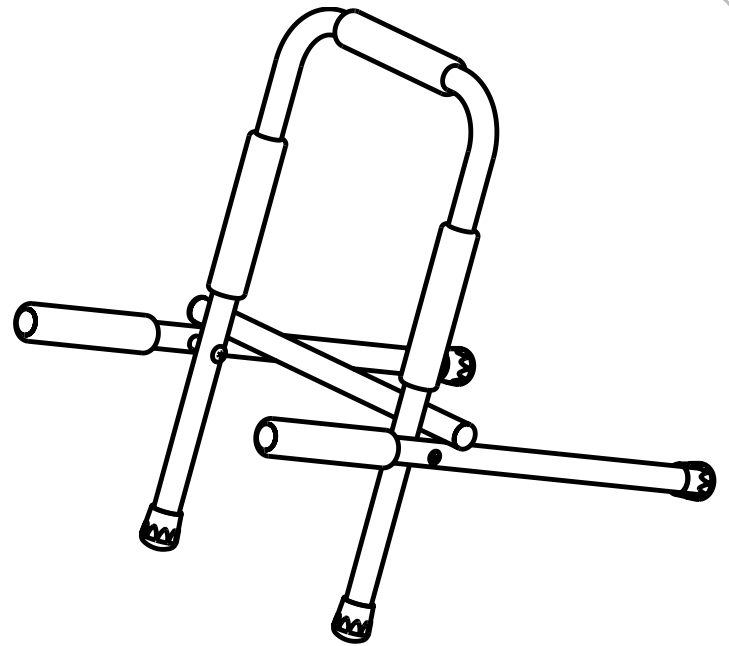


Features

- Rock solid, stable, foldable and tiltable amplifier stand
- Bracket for guitar amps, bass amps and speakers
- Ideally tiltable back construction for stage, studio, rehearsal room & tour
- Sturdy steel frame with foam padding and rubber feet
- Can be folded flat and compact for easy transport and storage
- No tools required
- Dimensions
folded (W × H): 35.2 × 64.5 cm
unfolded (W × H × D): 35.2 × 48.5 × 50.4 cm
- Weight: 1.7 kg
- Max. load capacity: 50 kg



This device is intended to be used as a stand for amplifiers and speaker boxes. Any other use or use under other operating conditions is considered to be improper and may result in personal injury or property damage. No liability will be assumed for damages resulting from improper use.



Ensure that plastic bags, packaging, etc. are properly disposed of and are not in the reach of babies and young children. Choking hazard! Ensure that children do not detach any small parts from the product. They could swallow the pieces and choke! Never let children use electrical devices unattended.

! The plasticiser contained in the rubber feet of this product may possibly react with the coating of your parquet, linoleum, laminate or PVC floor and after some time cause permanent dark stains. In case of doubt, do not put the rubber feet directly on the floor, but use felt-pad floor protectors or a carpet.



For the transport and protective packaging, environmentally friendly materials have been chosen that can be supplied to normal recycling. Ensure that plastic bags, packaging, etc. are properly disposed of. Do not just dispose of these materials with your normal household waste, but make sure that they are collected for recycling. Please follow the notes and markings on the packaging.