

**SPECIFICATIONS**

**Ellipsoidal lighting fixture**

**PHYSICAL** Die cast aluminum construction  
 20 gauge stainless steel shutters in a bi-plane assembly  
 Interchangeable lens assemblies  
 High impact, thermally insulated knobs and shutter handles  
 Two accessory slots, and a top mounted, gel frame retainer  
 Steel yoke with two mounting positions  
 Positive locking, hand-operated yoke clutch  
 Slot for glass or stainless steel patterns  
 Slot with sliding cover for motorized pattern devices or optional iris  
 UL and cUL listed

**ELECTRICAL** 115-240V, 50/60Hz  
 High temperature 3-conductor 36" leads in a glass fiber outer sleeve  
 Supports ETC Dimmer Doubling™ technology

**LAMP** 575W maximum  
 HPL — compact tungsten filament contained in a krypton- filled quartz envelope (see table for suitable lamp types)  
 Patented filament geometry provides extremely efficient light collection and transmission  
 Integral die cast aluminum heat sink lamp base

**OPTICAL** Projector-quality, high contrast aspheric lenses  
 Faceted borosilicate reflector with multi-layer dichroic coating  
 95% of visible light reflected through the optical train  
 90% of infrared radiation (heat) passes through the reflector  
 Reflector secured with anti-vibration shock mounts  
 Lens(es) secured with anti-vibration shock mounts  
 Tool free lamp centering (X/Y) and peak/flat (Z) adjustment knobs  
 Positive locking X, Y and Z adjustments, unaffected by relamping  
 Beam edge continually adjustable hard-to-soft  
 Interchangeable lens assembly kits permit selection of 26°, 36°, and 50° field angles, and 25°-50° zoom range

**ORDERING INFORMATION**

**Source Four jr Zoom**

Model#	Description
42550J	25°-50° Source Four jr Zoom ellipsoidal (black)
42550J-1	25°-50° Source Four jr Zoom ellipsoidal (white)

ETC Source Four jr Zooms are supplied with c-clamp, color frame, and 3' (96cm) leads as standard

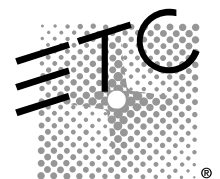
**Connector Designation**

Model#	Description
A	Parallel-blade U-ground connector
B	Two-pin and ground, 20 amp connector
C	Grounded, 20 amp, twistlock connector
M	Dimmer Doubling™ Connector (NEMA L515P)

**Source Four jr Zoom Accessories**

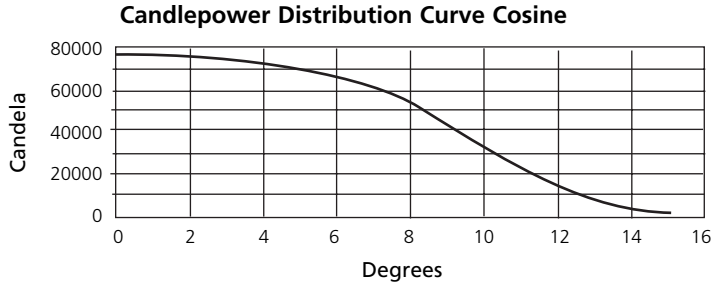
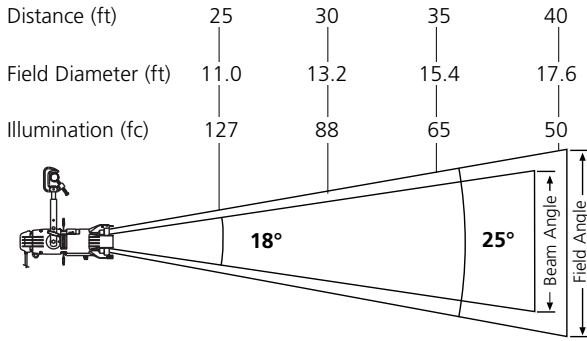
Model#	Description
400JZFL	Source Four jr Zoom front lens assembly
400JZRL	Source Four jr Zoom rear lens assembly
400CC	C-clamp (included)
400SC	Safety cable
400JRS	Drop-in iris
400CF	Colorframe (6.25") (included)
400DN	Donut (6.25")
400TH	Top hat
400HH	Half hat
400GE	Gel Extender
400PH-M	Pattern holder (M size)

Note: For colors other than black and white, please call ETC.



**PHOTOMETRIC DATA**

**25°**

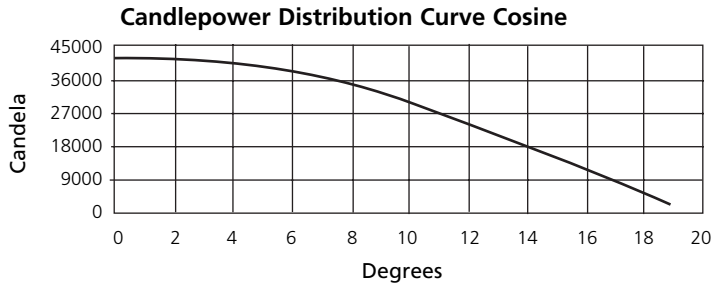
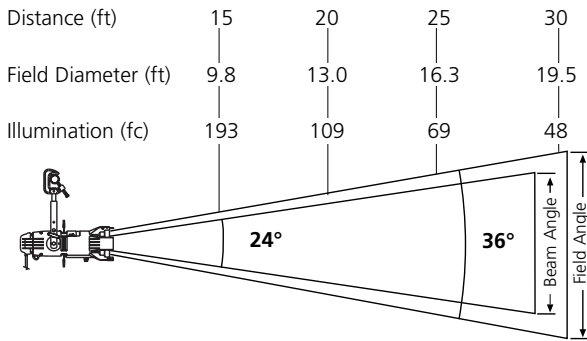


**Source Four jr Zoom (cosine adjusted)**

Degree	Candlepower	Field Lumens	Efficacy	Efficiency
25°	79,200	6,500	11.3 LPW	39.3%

For Field diameter at any distance, multiply distance by .44  
 For Beam diameter at any distance, multiply distance by .32

**36°**

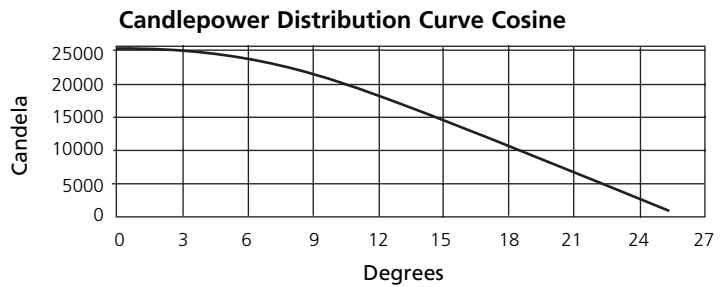
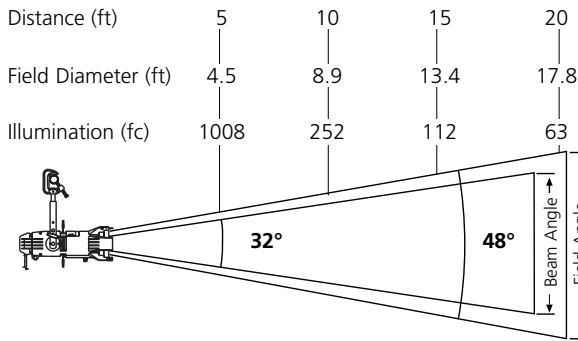


**Source Four jr Zoom (cosine adjusted)**

Degree	Candlepower	Field Lumens	Efficacy	Efficiency
36°	43,400	7,020	12.2 LPW	42.5%

For Field diameter at any distance, multiply distance by .65  
 For Beam diameter at any distance, multiply distance by .43

**50°**



**Source Four jr Zoom (cosine adjusted)**

Degree	Candlepower	Field Lumens	Efficacy	Efficiency
50°	25,200	7,560	13.1 LPW	45.8%

For Field diameter at any distance, multiply distance by .89  
 For Beam diameter at any distance, multiply distance by .57

**Metric Conversions:** For Meters multiply feet by .3048  
 For Lux multiply footcandles by 10.76

To determine illumination in footcandles or lux at any throw distance, divide candlepower by distance squared.

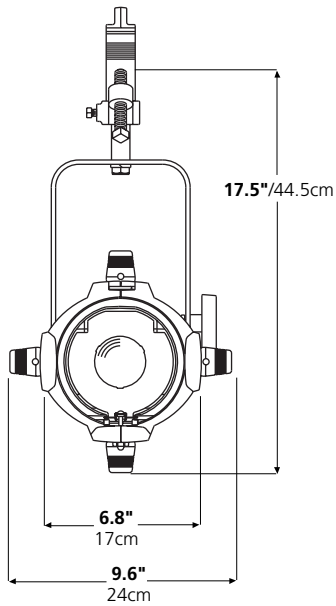
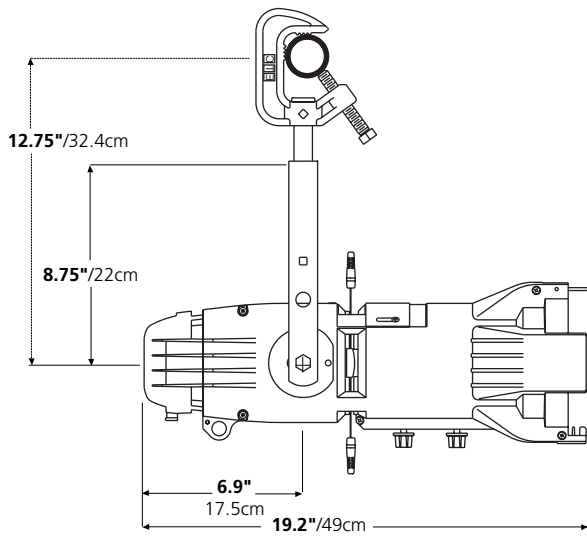
For illumination with any lamp, multiply the candlepower of a beam spread by the multiplying factor (mf) shown for that lamp.

All photometric data in this document was prepared using standard production fixtures, and the Prometric™ CCD measurement system. Fixtures were adjusted for cosine distribution, and were tested with a calibrated HPL 575/115V 16,520 lamp at its rated voltage. All data were normalized to nominal lamp lumens.

# Source Four® jr Zoom

## 42550J Series

### PHYSICAL



### Source Four jr Zoom Weights

Model	Fixture Weight*		Shipping Weight	
	lbs	kgs	lbs	kgs
2550°	10	4.5	16.5	7.5

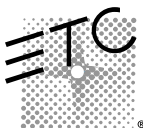
\*Add 2.3 lbs for C-clamp

### PHYSICAL

Lamp code	Watts	Volts	Initial Lumens	Color Temp.	Average Rated Life	MF
HPL 575/115	575	115	16,520	3,250°	300	1.00
HPL 575/115X	575	115	12,360	3,050°	2000	0.76
HPL 575/120	575	120	16,460	3,250°	300	1.00
HPL 375/115	375	115	10,540	3,200°	300	0.63
HPL 375/115X	375	115	8,060	3,000°	1000	0.49
HPL 550/77*	550	77	16,170	3,250°	300	1.00
HPL 550/77X*	550	77	12,160	3,050°	2000	0.76
HPL 575/230	575	230	14,900	3,200°	400	0.87
HPL 575/240	575	240	14,900	3,200°	400	0.87
HPL 575/230X	575	230	11,780	3,050°	1500	0.70
HPL 575/240X	575	240	11,780	3,050°	1500	0.74
HPL 375/230X	375	230	7,800	3,050°	1000	0.47
HPL 375/240X	375	240	7,800	3,050°	1000	0.47

\*77V lamps are intended for use with the ETC Dimmer Doubler™.

**Warning:** Use of lamps other than HPL will void UL/cUL safety approval and product warranty. Source Four jr Zoom is rated for 575W maximum.



### Electronic Theatre Controls

**International** • 3030 Laura Lane, P.O. Box 620979, Middleton, WI 53562-0979 • Tel: (+1) 608 831 4116 • Fax: (+1) 608 836 1736 • Toll free: 800 688 4116 • Toll free fax: 800 555 8912

**Europe** • 5 Victoria Industrial Estate, Victoria Road, London W3 6UU • Tel: +44 (0)20 8896 1000 • Fax: +44 (0)20 8896 2000

**Asia** • Room 605-606, Tower III Enterprise Square • 9 Sheung Yuet Road, Kowloon Bay • Kowloon, Hong Kong • Tel: (+852) 2799 1220 • Fax: (+852) 2799 9325

**Web:** [www.etconnect.com](http://www.etconnect.com) • **Email:** [mail@etconnect.com](mailto:mail@etconnect.com) Copyright © 2001 Electronic Theatre Controls, Inc., All Rights Reserved. All product information and specifications subject to change.

Source Four® products protected by U.S. Patent Numbers: 5,268,613, 5,345,371, 5,544,029 and 5,446,637, Japanese Patent Number: 2,501,772. US and International Patents Pending.