



I0, I1, I12, I2
User manual



Musikhaus Thomann
Thomann GmbH
Hans-Thomann-Straße 1
96138 Burgebrach
Germany
Telephone: +49 (0) 9546 9223-0
E-mail: info@thomann.de
Internet: www.thomann.de

01.02.2016
Issue 1



Table of contents

1	General information about this manual	4
2	For your safety	6
3	Features	8
4	Installation	9
5	Technical specifications	11
6	Protecting the environment	19



1 General information about this manual

This user manual contains important instructions for the safe operation of the unit. Read and follow the safety instructions and all other instructions. Keep the manual for future reference. Make sure that it is available to all those using the device. If you sell the unit, please make sure that the buyer also receives this manual.

Our products are subject to a process of continuous development. Thus, they are subject to change.




Signal words used

All precautions in this manual are clearly highlighted. The following signal words are used for precautions:

DANGER	This warns of dangers that can result in severe injuries or death if the instructions are not followed.
WARNING	This warns of dangers that can result in severe injuries or death and/or cause considerable material damage if the instructions are not followed.
CAUTION	This warns of dangers that can result in reversible injuries and/or considerable material damage if the instructions are not followed.
NOTICE	This warns of dangers that can result to faults during operation and/or considerable material damage. Environmental damage may also occur if the instructions are not followed.



Symbols used

	General warning of a dangerous location
	Warning of suspended load
	Notice



2 For your safety

Intended use

This device is designed as a PA system. Use the device only as described in this user manual. Any other use or use under other operating conditions is considered to be improper and may result in personal injury or property damage. No liability will be assumed for damages resulting from improper use.

This device may be used only by persons with sufficient physical, sensorial, and intellectual abilities and having corresponding knowledge and experience. Other persons may use this device only if they are supervised or instructed by a person who is responsible for their safety.

Safety instructions



DANGER

Danger for children

Ensure that plastic bags, packaging, etc. are properly disposed of and are not in the reach of babies and young children. Choking hazard!

- Ensure that children do not detach any small parts (e.g. knobs or the like) from the product. They could swallow the pieces and choke!
- Never let children play unattended with the electrical devices.



CAUTION

Possible hearing damage

The device can produce volume levels that may cause temporary or permanent hearing impairment. Over an extended period of time, even levels that seem to be uncritical can cause hearing damage.

- Decrease the volume level immediately if you experience ringing in your ears or hearing impairment. If this is not possible, keep a greater distance or use sufficient ear protectors.



NOTICE

Operating conditions

This device has been designed for indoor use only.

- To prevent damage, never expose the device to any liquid or moisture.
Avoid direct sunlight, heavy dirt, and strong vibrations.



3 Features

Special features of this passive 2-way full-range speaker:

- Connectivity options: Screw connections; compatible plugs for connection to the speaker cable enclosed
- Especially suitable for use with DSP amplifiers of Syrincs
- Trapezoidal housing, multiplex grey/black
- Meant for wall mounting

Optionally available accessories:

- Universal wall mount, swivel and tilt type
(Syrincs I-series wall mount black)
- Wall mount with multiple holes, compatible with Syrincs I0, horizontal swivel feature
(Syrincs I0 U-bracket, black)
- Wall mount with multiple holes, compatible with Syrincs I1, horizontal swivel feature
(Syrincs I1 U-bracket, black)
- Wall mount with multiple holes, compatible with Syrincs I12, horizontal swivel feature
(Syrincs I12 U-bracket, black)
- Wall mount with multiple holes, compatible with Syrincs I2, horizontal swivel feature
(Syrincs I2 U-bracket, black)



4 Installation

Unpack and check carefully there is no transportation damage before using the unit. Keep the equipment packaging. To fully protect the product against vibration, dust and moisture during transportation or storage use the original packaging or your own packaging material suitable for transport or storage, respectively.

Create all connections while the device is off. Use the shortest possible high-quality cables for all connections.



WARNING

Risk of injury caused by falling objects

- Make sure that the installation complies with the standards and rules that apply in your country. Always secure the device with a secondary safety attachment, such as a safety cable or a safety chain.



NOTICE

Possible property damage by magnetic fields

Loudspeakers produce a static magnetic field.

- Therefore maintain an appropriate distance to devices that can be adversely affected or damaged by an external magnetic field.



NOTICE

Use of stands

- When mounting the device onto a stand, ensure that the stand is in a safe and stable position and that the weight of the device does not exceed the maximum permissible load capacity of the stand.



We recommend you to set up the speakers in a way, that their sound signals can reach the audience unobstructedly. It will often be helpful to mount the speakers on tripods. Thus, the sound will be evenly spread with maximum range throughout the audience area.

Always use high grade cables to connect your equipment. Otherwise you won't reach maximum sound quality.

For optimum results both impedance and power rating of the speaker must match the requirements of the amplifier / input signal. Consider the technical specifications of the speakers connected. The overall impedance of the connected loudspeakers shall not be less than the minimum output impedance of the amp. The amps max. RMS output power should be 50 % above the power handling capacity of the connected speakers.

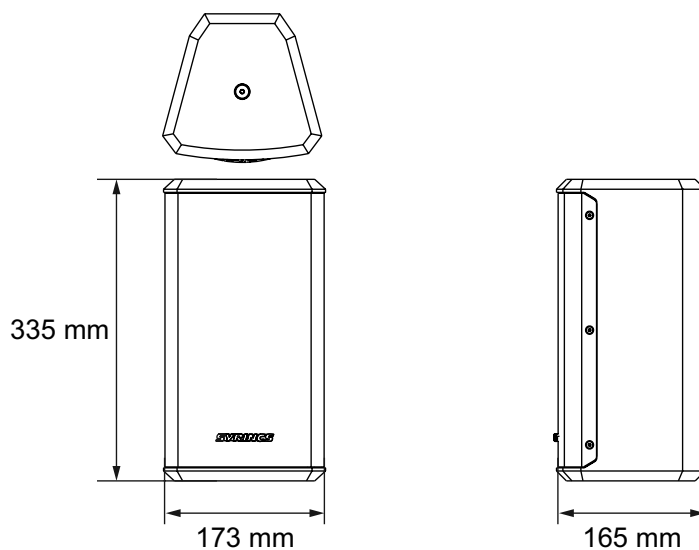
If you notice distortion during operation, either the amp or the speaker is overloaded. This may permanently damage the amp or the speaker. Always reduce the volume as soon as you notice distortion.



5 Technical specifications

Syrincs I0

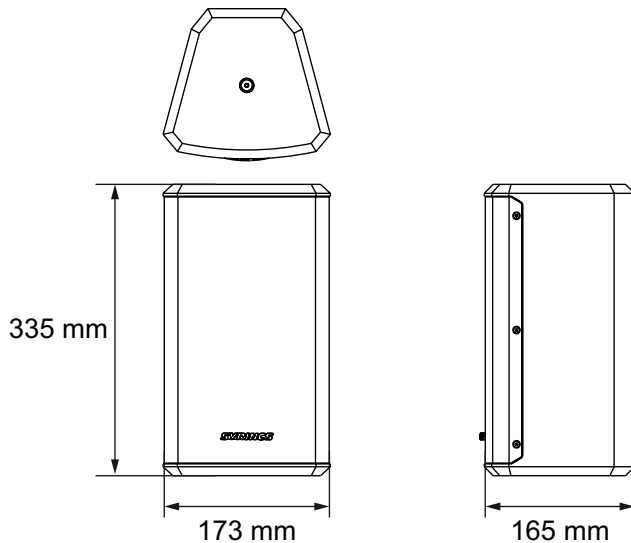
Configuration	1 × 5" woofer 1 × 28 mm dome tweeter
Power handling	50 W (RMS) 120 W (AES)
Sensitivity (1 W/1 m)	87 dB
Impedance	16 Ω
Maximum sound pressure level	104 dB (1 m) 110 dB (peak)
Frequency response	70 Hz ... 20 kHz (-3 dB)
Dimensions (W × H × D)	173 mm × 335 mm × 165 mm
Weight	4.5 kg





Syrincs I1

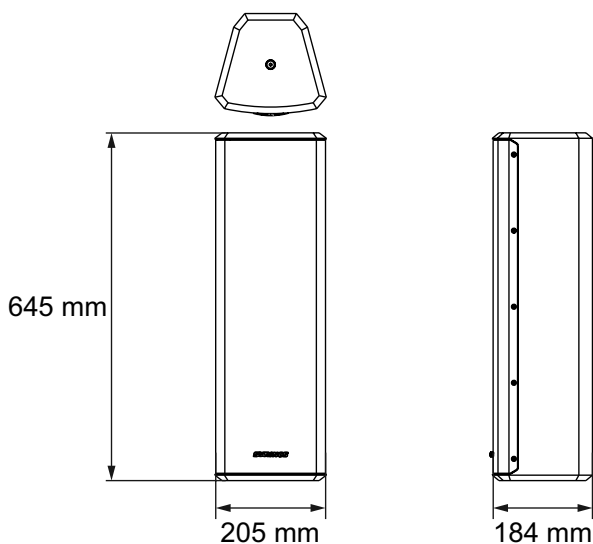
Configuration	1 × 6" woofer 1 × 28 mm dome tweeter
Power handling	50 W (RMS)
Sensitivity (1 W/1 m)	89 dB
Impedance	16 Ω
Maximum sound pressure level	106 dB (1 m) 112 dB (peak)
Frequency response	75 Hz ... 20 kHz (-3 dB)
Dimensions (W × H × D)	173 mm × 335 mm × 165 mm
Weight	4.5 kg





Syrincs I12

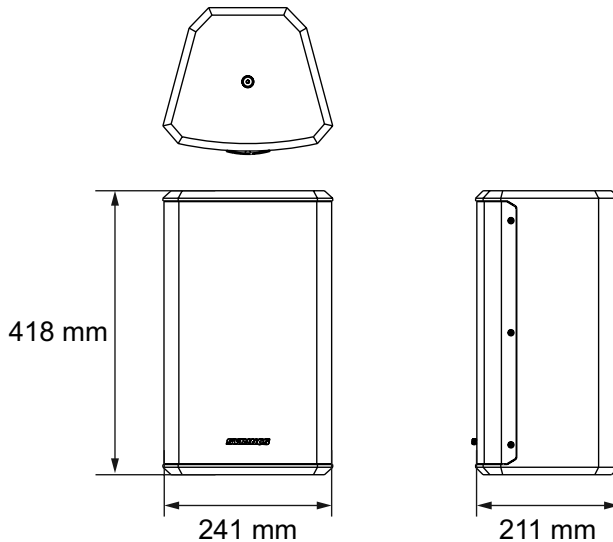
Configuration	2 × 6" woofer 1 × dome tweeter array (6 × 25 mm)
Power handling	160 W (RMS)
Sensitivity (1 W/1 m)	92 dB
Impedance	8 Ω
Maximum sound pressure level	112 dB (1 m) 118 dB (peak)
Frequency response	75 Hz ... 20 kHz (-3 dB)
Dimensions (W × H × D)	205 mm × 645 mm × 184 mm
Weight	9.0 kg





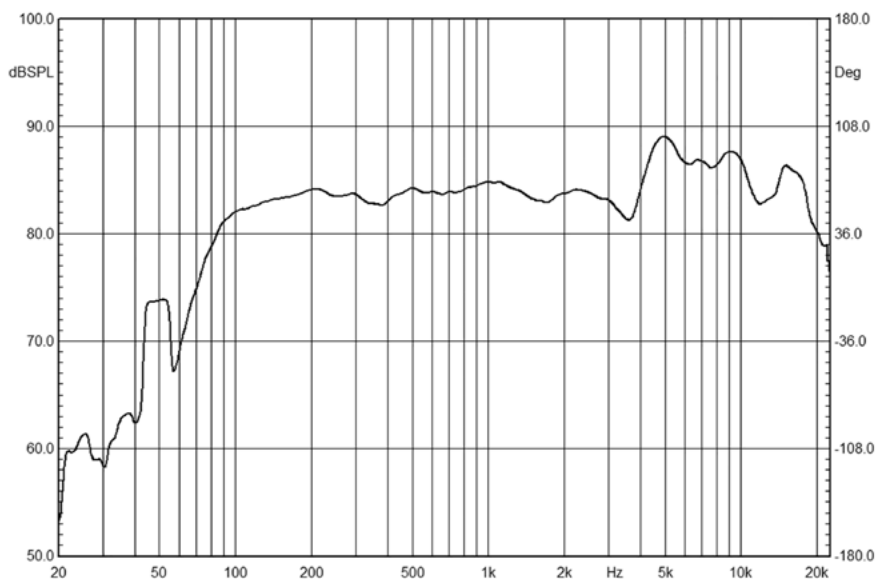
Syrincs I2

Configuration	1 × 8" woofer 1 × dome tweeter array (4 × 25 mm)
Power handling	80 W (RMS)
Sensitivity (1 W/1 m)	88 dB
Impedance	16 Ω
Maximum sound pressure level	107.5 dB (1 m) 113.5 dB (peak)
Frequency response	55 Hz ... 20 kHz (-3 dB)
Dimensions (W × H × D)	241 mm × 418 mm × 211 mm
Weight	6.0 kg



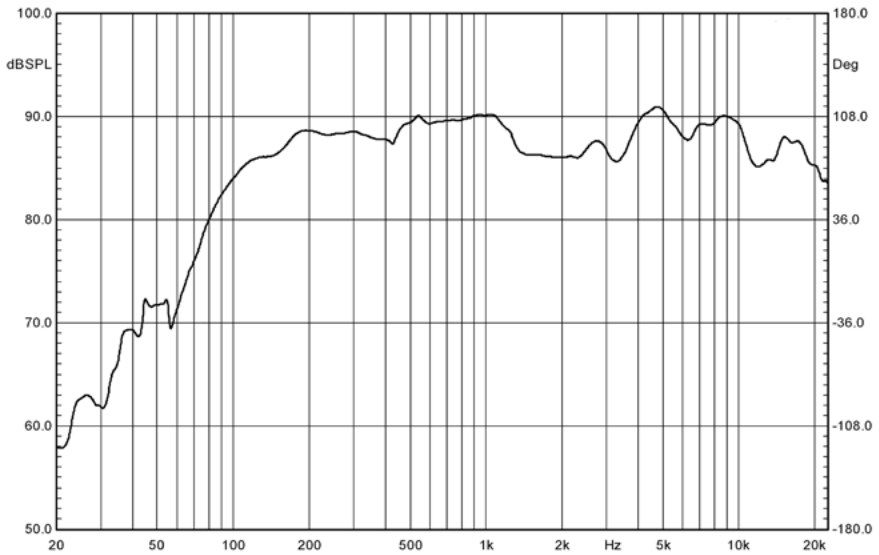


Frequency response, Syrincs I0



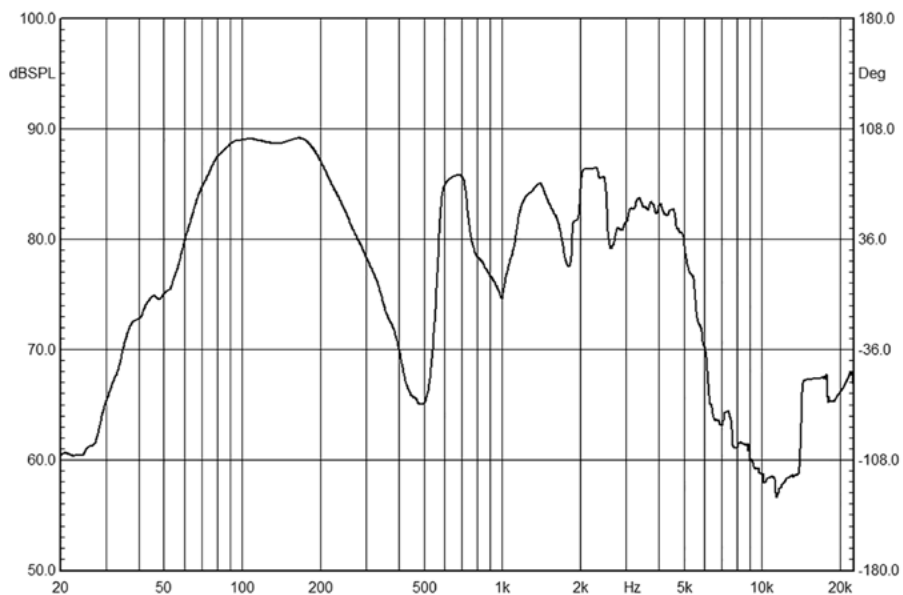


Frequency response, Syrincs I1



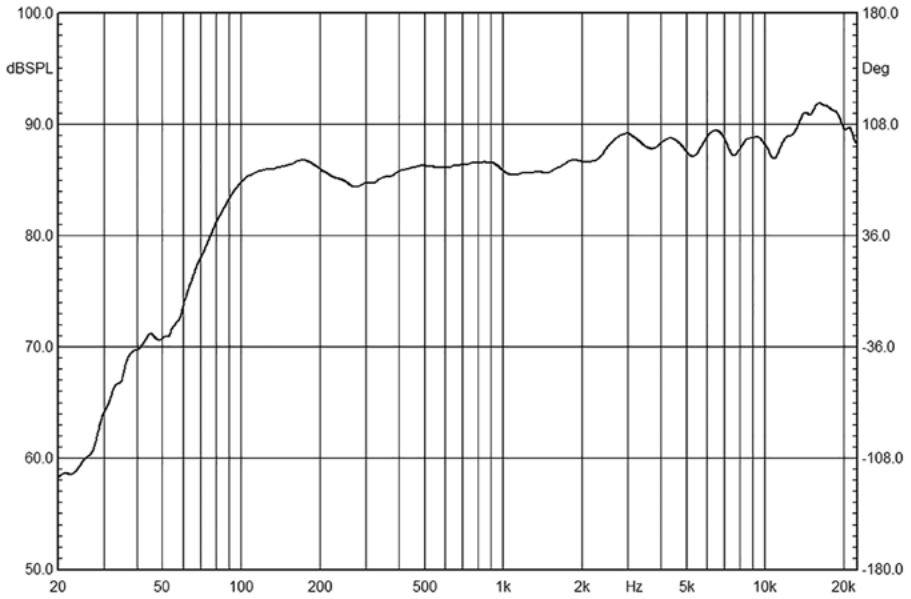


Frequency response, Syrincs I12





Frequency response, Syrincs I2





6 Protecting the environment

Packaging



For the packaging, environmentally friendly materials have been chosen that can be supplied to normal recycling. Ensure that plastic bags, packaging, etc. are properly disposed of.

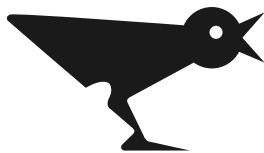
Do not just dispose of these materials with your normal household waste, but make sure that they are collected for recycling. Please follow the notes and markings on the packaging.

Disposal of your old device



This product is subject to the European Waste Electrical and Electronic Equipment Directive (WEEE) in its currently valid version. Do not dispose with your normal household waste.

Dispose of this device through an approved waste disposal firm or through your local waste facility. When discarding the device, comply with the rules and regulations that apply in your country. If in doubt, consult your local waste disposal facility.



SYRINCS