



# ***SYRINCS***

**I50L, I100L  
User manual**



Musikhaus Thomann  
Thomann GmbH  
Hans-Thomann-Straße 1  
96138 Burgebrach  
Germany  
Telephone: +49 (0) 9546 9223-0  
E-mail: [info@thomann.de](mailto:info@thomann.de)  
Internet: [www.thomann.de](http://www.thomann.de)

09.02.2016  
Issue 1

---



---

## Table of contents

<b>1</b>	<b>General information about this manual</b>	<b>4</b>
<b>2</b>	<b>For your safety</b>	<b>6</b>
<b>3</b>	<b>Features</b>	<b>8</b>
<b>4</b>	<b>Installation</b>	<b>9</b>
<b>5</b>	<b>Technical specifications</b>	<b>11</b>
<b>6</b>	<b>Protecting the environment</b>	<b>14</b>



# 1 General information about this manual

This user manual contains important instructions for the safe operation of the unit. Read and follow the safety instructions and all other instructions. Keep the manual for future reference. Make sure that it is available to all those using the device. If you sell the unit, please make sure that the buyer also receives this manual.

Our products are subject to a process of continuous development. Thus, they are subject to change.




## Signal words used

All precautions in this manual are clearly highlighted. The following signal words are used for precautions:

DANGER	This warns of dangers that can result in severe injuries or death if the instructions are not followed.
WARNING	This warns of dangers that can result in severe injuries or death and/or cause considerable material damage if the instructions are not followed.
CAUTION	This warns of dangers that can result in reversible injuries and/or considerable material damage if the instructions are not followed.
NOTICE	This warns of dangers that can result to faults during operation and/or considerable material damage. Environmental damage may also occur if the instructions are not followed.



## Symbols used

	General warning of a dangerous location
	Warning of suspended load
	Notice



## 2 For your safety

### Intended use

This device is designed as a PA system. Use the device only as described in this user manual. Any other use or use under other operating conditions is considered to be improper and may result in personal injury or property damage. No liability will be assumed for damages resulting from improper use.

This device may be used only by persons with sufficient physical, sensorial, and intellectual abilities and having corresponding knowledge and experience. Other persons may use this device only if they are supervised or instructed by a person who is responsible for their safety.

### Safety instructions



#### DANGER

##### Danger for children

Ensure that plastic bags, packaging, etc. are properly disposed of and are not in the reach of babies and young children. Choking hazard!

- Ensure that children do not detach any small parts (e.g. knobs or the like) from the product. They could swallow the pieces and choke!
- Never let children play unattended with the electrical devices.



#### CAUTION

##### Possible hearing damage

The device can produce volume levels that may cause temporary or permanent hearing impairment. Over an extended period of time, even levels that seem to be uncritical can cause hearing damage.

- Decrease the volume level immediately if you experience ringing in your ears or hearing impairment. If this is not possible, keep a greater distance or use sufficient ear protectors.



## NOTICE

### **Operating conditions**

This device has been designed for indoor use only.

- To prevent damage, never expose the device to any liquid or moisture.  
Avoid direct sunlight, heavy dirt, and strong vibrations.



### 3 Features

Special features of this passive 2-way, full-range speaker:

- Connection options: Screw connections; appropriate jack is included for connection to speaker cable
- Particularly suitable for use with DSP amplifiers from Syrincs
- Intended for wall mounting

Optionally available accessories:

- Universal wall bracket, can be swivelled or tilted (Syrincs I-Series Wall Mount black)
- Wall bracket with multiple holes, suitable for Syrincs I0, swivels horizontally (Syrincs I50L U-bracket black)
- Wall bracket with multiple holes, suitable for Syrincs I1, swivels horizontally (Syrincs I100L U-bracket black)





## 4 Installation

Unpack and check carefully there is no transportation damage before using the unit. Keep the equipment packaging. To fully protect the product against vibration, dust and moisture during transportation or storage use the original packaging or your own packaging material suitable for transport or storage, respectively.

Create all connections while the device is off. Use the shortest possible high-quality cables for all connections.



### WARNING

#### Risk of injury caused by falling objects

- Make sure that the installation complies with the standards and rules that apply in your country. Always secure the device with a secondary safety attachment, such as a safety cable or a safety chain.



### NOTICE

#### Possible property damage by magnetic fields

Loudspeakers produce a static magnetic field.

- Therefore maintain an appropriate distance to devices that can be adversely affected or damaged by an external magnetic field.



### NOTICE

#### Use of stands

- When mounting the device onto a stand, ensure that the stand is in a safe and stable position and that the weight of the device does not exceed the maximum permissible load capacity of the stand.



We recommend you to set up the speakers in a way, that their sound signals can reach the audience unobstructedly. It will often be helpful to mount the speakers on tripods. Thus, the sound will be evenly spread with maximum range throughout the audience area.

Always use high grade cables to connect your equipment. Otherwise you won't reach maximum sound quality.

For optimum results both impedance and power rating of the speaker must match the requirements of the amplifier / input signal. Consider the technical specifications of the speakers connected. The overall impedance of the connected loudspeakers shall not be less than the minimum output impedance of the amp. The amps max. RMS output power should be 50 % above the power handling capacity of the connected speakers.

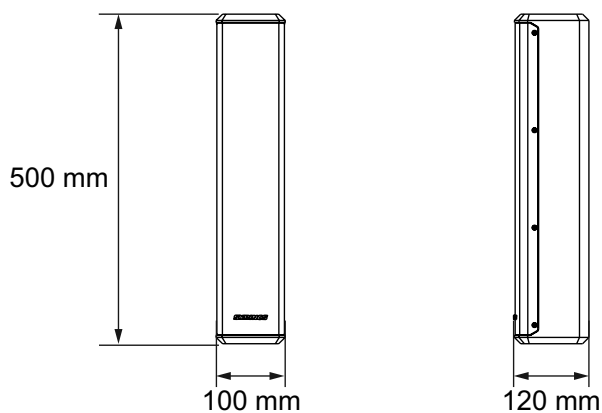
If you notice distortion during operation, either the amp or the speaker is overloaded. This may permanently damage the amp or the speaker. Always reduce the volume as soon as you notice distortion.



## 5 Technical specifications

### Syrincs I50L

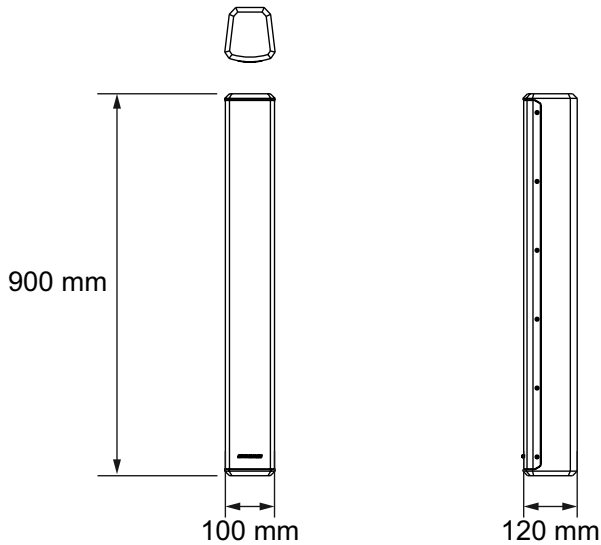
Configuration	4 × 3" woofer 4 × 25-mm dome tweeter
Power handling	80 W (RMS)
Sensitivity (1 W/1 m)	94 dB
Impedance	8 Ω
Maximum sound pressure	114 dB (1 m) 120 dB (peak)
Frequency range	120 Hz ... 20 kHz (-3 dB)
Dimensions (W × H × D)	100 mm × 500 mm × 120 mm
Weight	6 kg





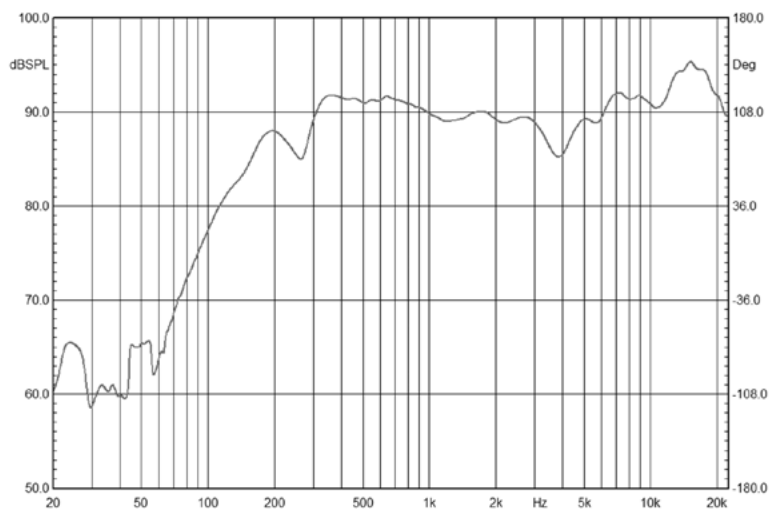
## Syrincs I100L

Configuration	8 × 3" woofer 4 × 25-mm dome tweeter
Power handling	160 W (RMS)
Sensitivity (1 W/1 m)	96 dB
Impedance	8 Ω
Maximum sound pressure	116 dB (1 m) 122 dB (peak)
Frequency range	120 Hz ... 20 kHz (-3 dB)
Dimensions (W × H × D)	100 mm × 800 mm × 120 mm
Weight	10 kg

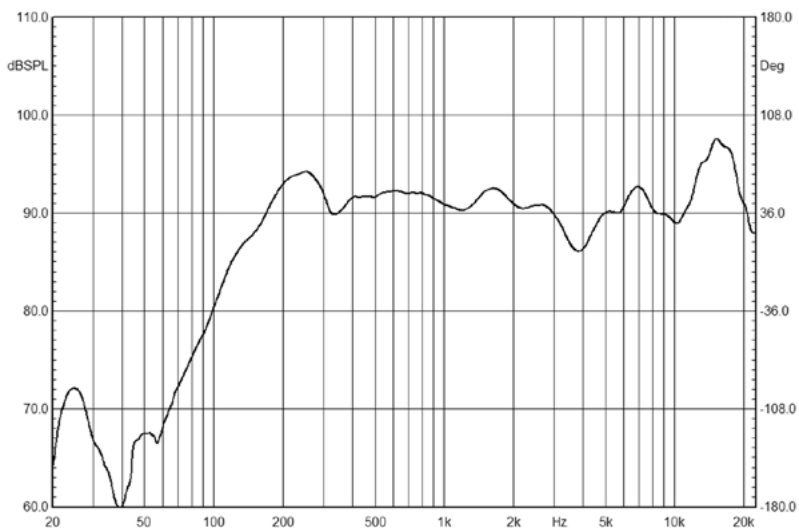




### Frequency response Syrincs I50L



### Frequency response Syrincs I100L





## 6 Protecting the environment

### Packaging



For the packaging, environmentally friendly materials have been chosen that can be supplied to normal recycling. Ensure that plastic bags, packaging, etc. are properly disposed of.

Do not just dispose of these materials with your normal household waste, but make sure that they are collected for recycling. Please follow the notes and markings on the packaging.

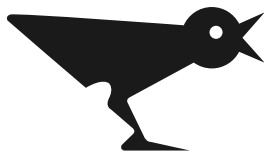
### Disposal of your old device



This product is subject to the European Waste Electrical and Electronic Equipment Directive (WEEE) in its currently valid version. Do not dispose with your normal household waste.

Dispose of this device through an approved waste disposal firm or through your local waste facility. When discarding the device, comply with the rules and regulations that apply in your country. If in doubt, consult your local waste disposal facility.





***SYRINCS***