

ignition

2bright Profile 3K 26°

LED spotlight

Musikhaus Thomann  
Thomann GmbH  
Hans-Thomann-Straße 1  
96138 Burgebrach  
Germany  
Telephone: +49 (0) 9546 9223-0  
E-mail: [info@thomann.de](mailto:info@thomann.de)  
Internet: [www.thomann.de](http://www.thomann.de)

11.09.2020, ID: 477600

---

# Table of contents

<b>1</b>	<b>General information</b> .....	<b>6</b>
	1.1 Further information.....	7
	1.2 Notational conventions.....	8
	1.3 Symbols and signal words.....	8
<b>2</b>	<b>Safety instructions</b> .....	<b>11</b>
<b>3</b>	<b>Features</b> .....	<b>17</b>
<b>4</b>	<b>Installation</b> .....	<b>19</b>
<b>5</b>	<b>Starting up</b> .....	<b>23</b>
<b>6</b>	<b>Connections and controls</b> .....	<b>26</b>
<b>7</b>	<b>Operating</b> .....	<b>29</b>
	7.1 Starting the device.....	29
	7.2 Main menu.....	29
	7.3 Menu overview.....	42
	7.4 Functions in 1-channel DMX mode.....	43
	7.5 Functions in 2-channel DMX mode.....	43

7.6	Functions in 4-channel DMX mode.....	44
<b>8</b>	<b>Technical specifications.....</b>	<b>46</b>
<b>9</b>	<b>Plug and connection assignments.....</b>	<b>49</b>
<b>10</b>	<b>Troubleshooting.....</b>	<b>50</b>
<b>11</b>	<b>Cleaning.....</b>	<b>52</b>
<b>12</b>	<b>Protecting the environment.....</b>	<b>53</b>



# 1 General information

This user manual contains important information on the safe operation of the device. Read and follow all safety notes and all instructions. Save this manual for future reference. Make sure that it is available to all persons using this device. If you sell the device to another user, be sure that they also receive this manual.

Our products and user manuals are subject to a process of continuous development. We therefore reserve the right to make changes without notice. Please refer to the latest version of the user manual which is ready for download under [www.thomann.de](http://www.thomann.de).

## 1.1 Further information

On our website ([www.thomann.de](http://www.thomann.de)) you will find lots of further information and details on the following points:

Download	This manual is also available as PDF file for you to download.
Keyword search	Use the search function in the electronic version to find the topics of interest for you quickly.
Online guides	Our online guides provide detailed information on technical basics and terms.
Personal consultation	For personal consultation please contact our technical hotline.
Service	If you have any problems with the device the customer service will gladly assist you.

## 1.2 Notational conventions

This manual uses the following notational conventions:

### Letterings

The letterings for connectors and controls are marked by square brackets and italics.

**Examples:** *[VOLUME]* control, *[Mono]* button.

### Displays



Texts and values displayed on the device are marked by quotation marks and italics.



**Examples:** *'24ch'*, *'OFF'*.

## 1.3 Symbols and signal words

In this section you will find an overview of the meaning of symbols and signal words that are used in this manual.



Signal word	Meaning
<b>DANGER!</b>	This combination of symbol and signal word indicates an immediate dangerous situation that will result in death or serious injury if it is not avoided.
<b>WARNING!</b>	This combination of symbol and signal word indicates a possible dangerous situation that can result in death or serious injury if it is not avoided.
<b>NOTICE!</b>	This combination of symbol and signal word indicates a possible dangerous situation that can result in material and environmental damage if it is not avoided.
Warning signs	Type of danger
	Warning – high-voltage.
	Warning – dangerous optical radiation.

Warning signs	Type of danger
 A yellow triangular warning sign with a black border, depicting a crane hook lifting a rectangular load.	Warning – suspended load.
 A yellow triangular warning sign with a black border, featuring a large black exclamation mark.	Warning – danger zone.

## 2 Safety instructions

### Intended use

This device is intended for use as an electronic lighting effect by means of LED technology. The device is designed for professional use and is not suitable for use in households. Use the device only as described in this user manual. Any other use or use under other operating conditions is considered to be improper and may result in personal injury or property damage. No liability will be assumed for damages resulting from improper use.

This device may be used only by persons with sufficient physical, sensorial, and intellectual abilities and having corresponding knowledge and experience. Other persons may use this device only if they are supervised or instructed by a person who is responsible for their safety.

Extend the life of the device by regular breaks in operation and avoid switching it on and off frequently. This device is not suitable for continuous use.

### Safety



#### **DANGER!**

##### **Danger for children**

Ensure that plastic bags, packaging, etc. are disposed of properly and are not within reach of babies and young children. Choking hazard!

Ensure that children do not detach any small parts (e.g. knobs or the like) from the unit. They could swallow the pieces and choke!

Never let children unattended use electrical devices.



#### **DANGER!**

##### **Electric shock caused by high voltages inside**

Within the device there are areas where high voltages may be present. Never remove any covers.

There are no user-serviceable parts inside.

Do not use the device if covers, protectors or optical components are missing or damaged.



**DANGER!**

**Electric shock caused by short-circuit**

Always use proper ready-made insulated mains cabling (power cord) with a protective contact plug. Do not modify the mains cable or the plug. Failure to do so could result in electric shock/death or fire. If in doubt, seek advice from a registered electrician.



**WARNING!**

**Eye damage caused by high light intensity**

Never look directly into the light source.



**WARNING!**

**Risk of epileptic shock**

Strobe lighting can trigger seizures in photosensitive epilepsy. Sensitive persons should avoid looking at strobe lights.



**NOTICE!**

**Risk of fire**

Do not block areas of ventilation. Do not install the device near any direct heat source. Keep the device away from naked flames.

**NOTICE!****Operating conditions**

This device has been designed for indoor use only. To prevent damage, never expose the device to any liquid or moisture. Avoid direct sunlight, heavy dirt, and strong vibrations.

Only operate the device within the ambient conditions specified in the chapter 'Technical specifications' of this user manual. Avoid heavy temperature fluctuations and do not switch the device on immediately after it was exposed to temperature fluctuations (for example after transport at low outside temperatures).

Dust and dirt inside can damage the unit. When operated in harmful ambient conditions (dust, smoke, nicotine, fog, etc.), the unit should be maintained by qualified service personnel at regular intervals to prevent overheating and other malfunction.



### **NOTICE!**

#### **Power supply**

Before connecting the device, ensure that the input voltage (AC outlet) matches the voltage rating of the device and that the AC outlet is protected by a residual current circuit breaker. Failure to do so could result in damage to the device and possibly injure the user.

Unplug the device before electrical storms occur and when it is unused for long periods of time to reduce the risk of electric shock or fire.



### **NOTICE!**

#### **Possible damage due to installation of a wrong fuse**

The use of different types of fuses can cause serious damage to the unit. Fire hazard!

Only fuses of the same type may be used.



## 3 Features

Special features of the device:

- 1 × warm white LED, 200 W
- Colour temperature: 3000 K
- Beam angle: 26°
- Operation in Stand alone or DMX mode (1, 2 or 4 channels)
- Operating via buttons and display on the unit
- Gobo holder for gobos with Ø 72 mm
- four built-in diaphragm sliders
- Iris (optionally available)
- manual focus
- robust housing with mounting bracket
- temperature-controlled fan cooling
- suitable for use in clubs, bars, stages, exhibitions, etc.

For technological reasons, the light output of LEDs decreases over their lifetime. This effect increases with higher operating temperature. You can extend the service life of the illuminants by providing adequate ventilation and operating the LEDs with the lowest possible brightness.

## 4 Installation

Unpack and check carefully there is no transportation damage before using the unit. Keep the equipment packaging. To fully protect the product against vibration, dust and moisture during transportation or storage use the original packaging or your own packaging material suitable for transport or storage, respectively.



### **WARNING!**

#### **Risk of injury caused by falling objects**

Make sure that the installation complies with the standards and rules that apply in your country. Always secure the device with a secondary safety attachment, such as a safety cable or a safety chain.



### **NOTICE!**

#### **Risk of overheating**

The distance between light output and the illuminated surface must be more than 1.5 m (19.7in).

Provide sufficient ventilation.

The ambient temperature must always be below 40 °C (104 °F).



### **NOTICE!**

#### **Use of stands**

When mounting the device onto a stand, ensure that the stand is in a safe and stable position and that the weight of the device does not exceed the maximum permissible load capacity of the stand.

**NOTICE!****Possible data transmission errors**

For error-free operation make use of dedicated DMX cables and do not use ordinary microphone cables.

Never connect the DMX input or output to audio devices such as mixers or amplifiers.

**Mounting options**

You can install the unit in hanging position. When in use, the device must always be attached to a solid surface or an approved truss. Use the openings of the bracket provided for mounting.

Always work from a stable platform whenever installing, moving or servicing the unit. In doing so, the area underneath the unit must be cordoned off.

The safety cable must be attached to the bracket.



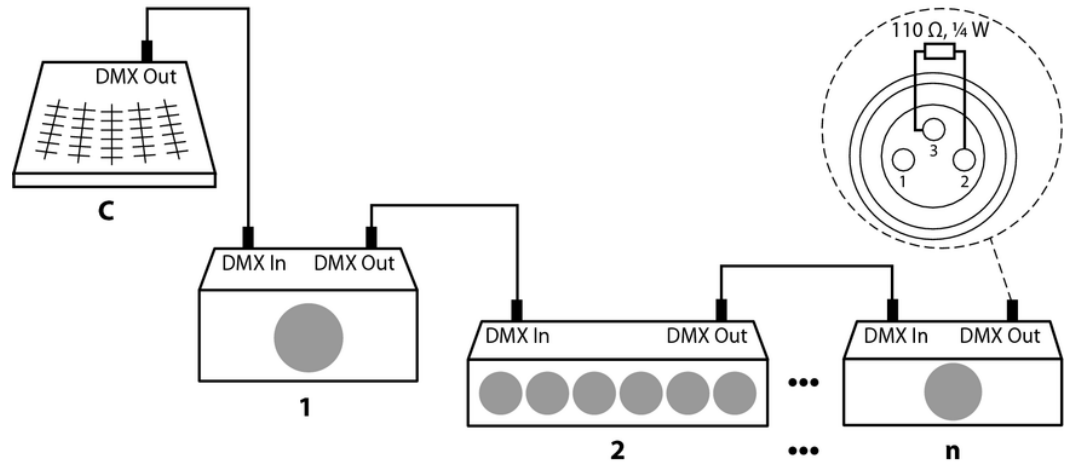
*Please note that this device must not be connected to a dimmer.*

## 5 Starting up

Create all connections while the device is off. Use the shortest possible high-quality cables for all connections. Take care when running the cables to prevent tripping hazards.

### Connections in DMX mode

Connect the DMX input of the device to the DMX output of a DMX controller or another DMX device. Connect the output of the first DMX device to the input of the second one, and so on to form a daisy chain. Always ensure that the output of the last DMX device in the daisy chain is terminated with a resistor ( $110\ \Omega$ ,  $\frac{1}{4}\text{ W}$ ).



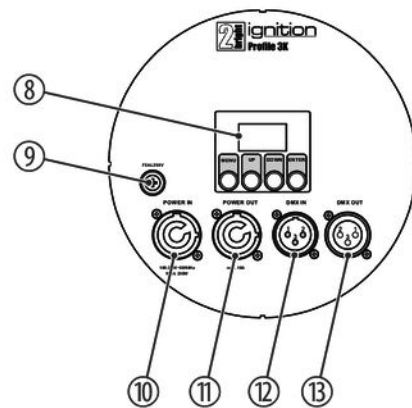
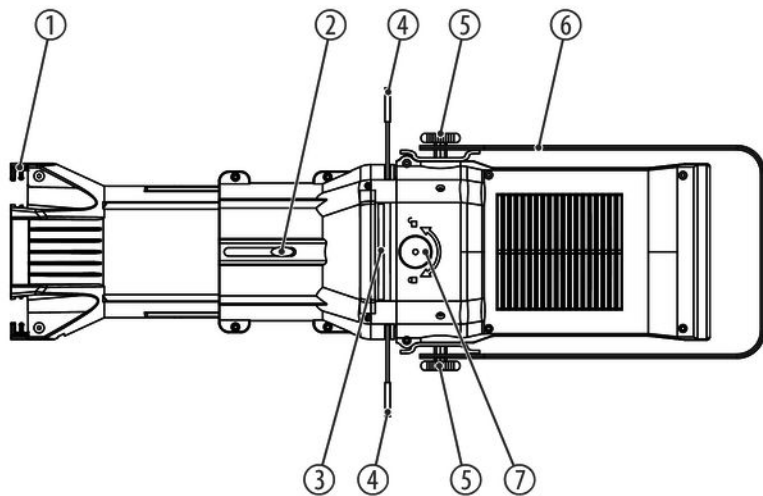


---

**Connections in master/slave mode**

When you configure a group of devices in master/slave mode, the first unit will control the other units for an automatic, sound-activated, synchronized show. This function is ideal when you want to start a show immediately. Connect the DMX output of the master device to the DMX input of the first slave device. Then connect the DMX output of the first slave device to the DMX input of the second slave device and so on.

## 6 Connections and controls



1	Colour filter holder
2	Locking screw for the focus
3	Insert for Gobo holder and iris (optionally available)
4	Individually operable diaphragm slider
5	Locking screws for the mounting bracket
6	Mounting bracket
7	Locking for the lens barrel
8	Display with function buttons
	<i>[MENU]</i> Calls up the main menu or a submenu.
	<i>[UP], [DOWN]</i> Increases / decreases the displayed value by one.
	<i>[ENTER]</i> Confirms a selected value.

9	Fuse holder
10	<i>[POWER IN]</i> Lockable input socket (Power Twist) for powering the device
11	<i>[POWER OUT]</i> Lockable output socket (Power Twist) for powering further devices
12	<i>[DMX IN]</i> DMX input
13	<i>[DMX OUT]</i> DMX output

---

## 7 Operating

### 7.1 Starting the device

Connect the device to the power supply to start operation. The device is immediately operational and operates in the last mode with the settings last selected.

### 7.2 Main menu

#### Menu control

Press *[MENU]* to open the main menu. Use *[UP]* or *[DOWN]* to select the desired parameter or to change the respectively indicated value. When the display shows the desired parameter or value press *[ENTER]* to enter the respective submenu or confirm a new value. To return to the previous menu level without changes, press *[MENU]*.

### DMX address

Press *[MENU]*. Press *[UP]* or *[DOWN]* repeatedly until the display shows 'DMX Address' and confirm with *[ENTER]*. Now you can set the number of the first DMX channel to be used by the device (DMX address). Use *[UP]* or *[DOWN]* to select a value between 1 and 512.

Confirm the selection with *[ENTER]*. With *[MENU]*, you return to the parent menu.

To return to the parent menu without changes press *[MENU]* without prior confirmation.

Make sure that this number matches the configuration of your DMX controller. The following table shows the respective highest possible DMX address for the various DMX modes.

Mode	Highest possible DMX address
1-channel mode	512
2-channel mode	511
4-channel mode	499

**DMX mode**

Press *[MENU]*. Press *[UP]* or *[DOWN]* until the display shows 'DMX Mode' and confirm the selection with *[ENTER]*. Use *[UP]* or *[DOWN]* to select one of the three DMX modes (1-channel mode, 2-channel mode or 4-channel mode, display shows '1CH', '2CH' or '4CH'). The device is now controlled by a DMX controller.

When the display shows the desired value confirm the setting with *[SET]*. To exit the menu item without making changes, press *[ESC]*.

**Operating mode Slave**

In this menu, you can specify whether the device is operating in slave mode.

Press *[MENU]*. Press *[UP]* or *[DOWN]* repeatedly until the display shows 'Slave' and confirm with *[ENTER]*. Use *[UP]* or *[DOWN]* to select 'Yes' to use the device as a slave, choose 'No' to deactivate the slave mode.

Confirm the selection with *[ENTER]*. With *[MENU]*, you return to the parent menu.

To return to the parent menu without changes press *[MENU]* without prior confirmation.

### Dimmer setting

In this menu, you can adjust the LED brightness.

Press *[MENU]*. Press *[UP]* or *[DOWN]* repeatedly until the display shows 'Stand Alone' and confirm with *[ENTER]*. Use *[UP]* or *[DOWN]* to select the menu item 'Static' and then the menu item 'Dimmer' and confirm with *[ENTER]*. Use *[UP]* or *[DOWN]* to specify a value between '0' (LED off) and '255' (full brightness).

This setting is only relevant if the device is not controlled via DMX. When the display shows the desired value press *[ENTER]* to confirm the selection and then *[MENU]* to return to the parent menu. To return to the parent menu without changes press *[MENU]* without prior confirmation.

### Dimmer fine adjustment

In this menu, you can fine-adjust the LED brightness.

Press *[MENU]*. Press *[UP]* or *[DOWN]* repeatedly until the display shows 'Stand Alone' and confirm with *[ENTER]*. Use *[UP]* or *[DOWN]* to select the menu item 'Dimmer Fine' and confirm with *[ENTER]*. Use *[UP]* or *[DOWN]* to specify a value between '0' (LED off) and '255' (full brightness).

This setting is only relevant if the device is not controlled via DMX. When the display shows the desired value press *[ENTER]* to confirm the selection and then *[MENU]* to return to the parent menu. To return to the parent menu without changes press *[MENU]* without prior confirmation.



### Strobe effect

In this menu, you can set the Strobe effect frequency.

Press *[MENU]*. Press *[UP]* or *[DOWN]* repeatedly until the display shows 'Stand Alone' and confirm with *[ENTER]*. Use *[UP]* or *[DOWN]* to select the menu item 'Strobe' and confirm with *[ENTER]*. Use *[UP]* or *[DOWN]* to specify the strobe effect frequency in a range from '0' ... '255'.

Confirm the selection with *[ENTER]*. With *[MENU]*, you return to the parent menu.

To return to the parent menu without changes press *[MENU]* without prior confirmation.

### LED repetition rate

In this menu, you can set the LED repetition rate.

Press *[MENU]*. Press *[UP]* or *[DOWN]* repeatedly until the display shows 'Settings' and confirm with *[ENTER]*. Use *[UP]* or *[DOWN]* to select the menu item 'Frequency' and confirm with *[ENTER]*. Use *[UP]* or *[DOWN]* to select a LED repetition frequency between '3K', '6K', '12K' and '24K'.

Confirm the selection with *[ENTER]*. With *[MENU]*, you return to the parent menu.

To return to the parent menu without changes press *[MENU]* without prior confirmation.

### **Gamma correction**

In this menu, you can set the Gamma correction.

Press *[MENU]*. Press *[UP]* or *[DOWN]* repeatedly until the display shows 'Settings' and confirm with *[ENTER]*. Use *[UP]* or *[DOWN]* to select the menu item 'Gamma correction' and confirm with *[ENTER]*. Use *[UP]* or *[DOWN]* to select an option between 'NO', '2', '2,2', '2,4', '2,6' and '2,8'.

Confirm the selection with *[ENTER]*. With *[MENU]*, you return to the parent menu.

To return to the parent menu without changes press *[MENU]* without prior confirmation.

### **Display reversion**

In this menu, you can specify whether the display should be shown normally or rotated by 180°.

Press *[MENU]*. Press *[UP]* or *[DOWN]* repeatedly until the display shows 'Settings' and confirm with *[ENTER]*. Use *[UP]* or *[DOWN]* to select the menu item 'Display Reverse' and confirm with *[ENTER]*. Use *[UP]* or *[DOWN]* to select the 'On' option if the display should be shown rotated by 180°, or select the 'Off' option if you want the display to appear normally.

Confirm the selection with *[ENTER]*. With *[MENU]*, you return to the parent menu.

To return to the parent menu without changes press *[MENU]* without prior confirmation.

## Display illumination

In this menu, you can set whether the display is automatically switched off or remains permanently on during operation.

Press *[MENU]*. Press *[UP]* or *[DOWN]* repeatedly until the display shows 'Settings' and confirm with *[ENTER]*. Use *[UP]* or *[DOWN]* to select the menu item 'Display Blackout' and confirm with *[ENTER]*. Use *[UP]* or *[DOWN]* to select the 'On' option if you want the display to remain permanently on, or select the 'Off' option if you want the display to switch off automatically after 30 seconds without pressing a button.

Confirm the selection with *[ENTER]*. With *[MENU]*, you return to the parent menu.

To return to the parent menu without changes press *[MENU]* without prior confirmation.

### Behaviour on DMX control failure

In this menu, you can specify the behaviour of the device when the DMX signal is interrupted.

Press *[MENU]*. Press *[UP]* or *[DOWN]* repeatedly until the display shows 'Settings' and confirm with *[ENTER]*. Use *[UP]* or *[DOWN]* to select the menu item 'DMX Fail' and confirm with *[ENTER]*. Use *[UP]* or *[DOWN]* to select the device behaviour on DMX signal failure. The following table shows the available options:

Menu level 2	Menu level 3	Function
'DMX Fail'	'Hold'	If the DMX control fails, the last setting is retained.
	'Blackout'	If the DMX control fails, the device is blacked out.
	'Emergency Light'	If the DMX control fails, the emergency Light kicks in.

Confirm the selection with *[ENTER]*. With *[MENU]*, you return to the parent menu.

To return to the parent menu without changes press *[MENU]* without prior confirmation.

## Dimmer curve

In this menu, you can set the dimmer curve.

Press *[MENU]*. Press *[UP]* or *[DOWN]* repeatedly until the display shows 'Settings' and confirm with *[ENTER]*. Use *[UP]* or *[DOWN]* to select the menu item 'Dimmer Curve' and confirm with *[ENTER]*. Use *[UP]* or *[DOWN]* to select the desired dimmer curve. The following table shows the available options:

Menu level 2	Menu level 3	Function
'Dimmer Curve'	'Linear'	Linear course
	'Exponential'	Exponential course
	'Logarithmic'	Logarithmic course
	'S Curve'	S-curve shaped course

Confirm the selection with *[ENTER]*. With *[MENU]*, you return to the parent menu.

To return to the parent menu without changes press *[MENU]* without prior confirmation.

## Dimmer response

Press *[MENU]*. Press *[UP]* or *[DOWN]* repeatedly until the display shows 'Settings' and confirm with *[ENTER]*. Use *[UP]* or *[DOWN]* to select the menu item 'Dimmer Response' and confirm with *[ENTER]*. Use *[UP]* or *[DOWN]* to select the desired Dimmer response. The following table shows the available options:

Menu level 2	Menu level 3	Function
'Dimmer Response'	'LED'	The dimmer setting for LED is activated.
	'Halogen'	The imitation of the dimming behaviour for halogen light is activated.

Confirm the selection with *[ENTER]*. With *[MENU]*, you return to the parent menu.

To return to the parent menu without changes press *[MENU]* without prior confirmation.

## Key lock

In this menu, you can enable the key lock.

Press [MENU]. Press [UP] or [DOWN] repeatedly until the display shows 'Settings' and confirm with [ENTER]. Use [UP] or [DOWN] to select the menu item 'AutoLock' and confirm with [ENTER]. Use [UP] or [DOWN] to select the 'On' option to activate the key lock or select the 'Off' option to deactivate the key lock.

Confirm the selection with [ENTER]. With [MENU], you return to the parent menu.

To return to the parent menu without changes press [MENU] without prior confirmation.



*If the key lock is activated, all keys have no function after 60 seconds. To cancel the key lock, press simultaneously [UP] and [DOWN] for 5 seconds.*

### **Resetting the device to factory settings**

In this menu, you can reset the device to factory default settings.

Press *[MENU]*. Press *[UP]* or *[DOWN]* repeatedly until the display shows 'Settings' and confirm with *[ENTER]*. Use *[UP]* or *[DOWN]* to select the menu item 'Factory Reset' and confirm with *[ENTER]*. The display shows 'Reset'. Confirm with *[ENTER]* to reset the device to factory default settings.

With *[MENU]*, you return to the parent menu.

To return to the parent menu without changes press *[MENU]* without prior confirmation.

### **Firmware**

In this menu, you can access the current firmware version.

Press *[MENU]*. Press *[UP]* or *[DOWN]* repeatedly until the display shows 'System Info' and confirm with *[ENTER]*. Use *[UP]* or *[DOWN]* to select the menu item 'Firmware' and confirm with *[ENTER]*.

The current firmware version is displayed. With *[MENU]*, you return to the parent menu.



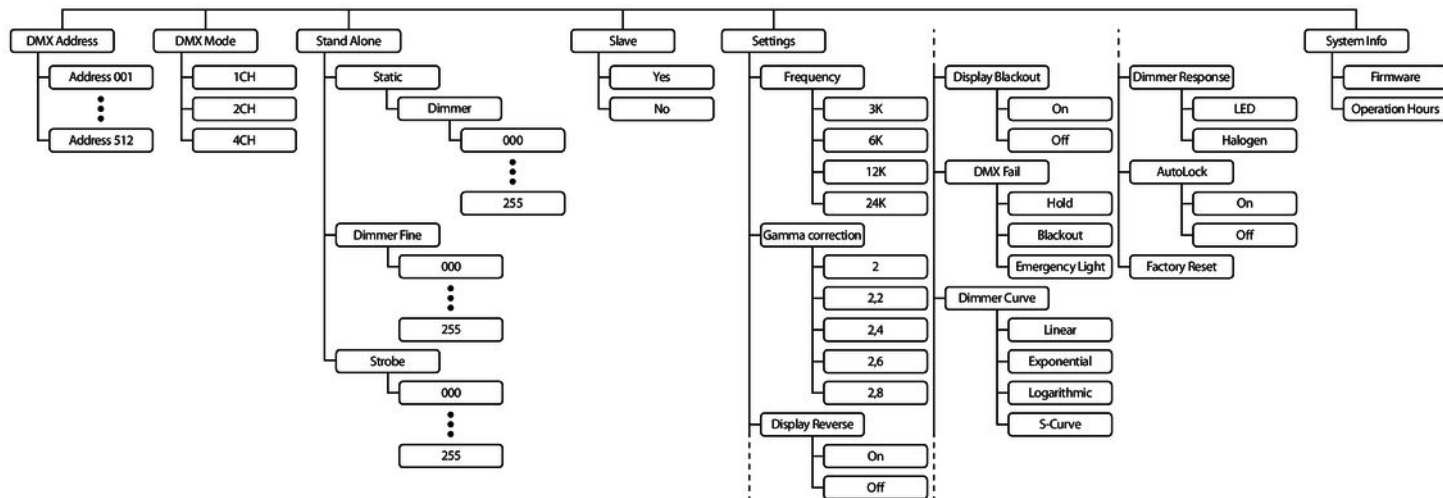
## Operating hours

In this menu, you can call up the number of operating hours.

Press *[MENU]*. Press *[UP]* or *[DOWN]* repeatedly until the display shows 'System Info' and confirm with *[ENTER]*. Use *[UP]* or *[DOWN]* to select the menu item 'Operation Hours' and confirm with *[ENTER]*.

The number of operating hours is displayed. With *[MENU]*, you return to the parent menu.

## 7.3 Menu overview



## 7.4 Functions in 1-channel DMX mode

Channel	Value	Function
1	0 ... 255	Dimmer (0 % to 100 %)

## 7.5 Functions in 2-channel DMX mode

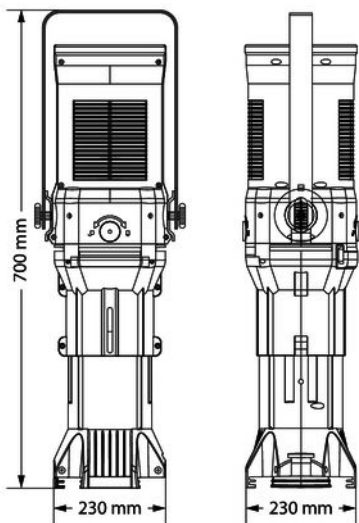
Channel	Value	Function
1	000 ... 255	Dimmer (0 % to 100 %)
2	000 ... 005	LEDs off
	006 ... 255	Strobe effect, increasing speed (1 ... 20 Hz)

## 7.6 Functions in 4-channel DMX mode

Channel	Value	Function
1	000 ... 255	Dimmer (0 % to 100 %)
2	000 ... 005	LEDs off
	006 ... 010	LEDs on
	011 ... 033	Random impulses, increasing speed
	034 ... 056	Randomly increasing brightness, increasing speed
	057 ... 079	Randomly decreasing brightness, increasing speed
	080 ... 102	Random strobe effect, increasing speed
	103 ... 127	Strobe break effect, 5 s...1 s
	128 ... 250	Strobe effect, increasing speed (1 ... 20 Hz)
	251 ... 255	LEDs off
3	000 ... 005	No function

Channel	Value	Function
	006 ... 127	Dimmer setting for LED
	128 ... 255	Imitation of the dimming behaviour for halogen light
4	000 ... 005	No function
	006 ... 063	Dimmer curve, linear course
	064 ... 127	Dimmer curve, exponential course
	128 ... 191	Dimmer curve, logarithmic course
	192 ... 255	Dimmer curve, S-shaped course

## 8 Technical specifications



Light source	1 × LED warm white, 200 W	
Light source properties	Colour temperature	3000 K
	Colour rendering index	>98 CRI Ra
Optical properties	Beam angle	26°
Control	DMX	
	Buttons and display on the unit	
Number of DMX channels	1, 2 or 4	
Input connections	Voltage supply	Lockable input socket (Power Twist)
	DMX control	XLR chassis plug, 3-pin
Output connections	Voltage supply	Lockable input socket (Power Twist)
	DMX control	XLR chassis socket, 3-pin

Power consumption	max. 230 W	
Operating supply voltage	100 – 240 V ~ 50/60 Hz	
Fuse	5 mm × 20 mm, 2 A, 250 V, fast-acting	
Protection class	IP30	
Mounting options	hanging	
Dimensions (W × H × D)	230 mm × 230 mm × 700 mm	
Weight	6 kg	
Ambient conditions	Temperature range	-10 °C...45 °C
	Relative humidity	50 %, non-condensing

### Further information

Construction	Complete device
Light source	LED
Fanless	No
Zoom	No



## 9 Plug and connection assignments

### Introduction

This chapter will help you select the right cables and plugs to connect your valuable equipment so that a perfect light experience is guaranteed.

Please take our tips, because especially in 'Sound & Light' caution is indicated: Even if a plug fits into a socket, the result of an incorrect connection may be a destroyed DMX controller, a short circuit or 'just' a not working light show!

### DMX connections



The unit offers a 3-pin XLR socket for DMX output and a 3-pin XLR plug for DMX input. Please refer to the drawing and table below for the pin assignment of a suitable XLR plug.

Pin	Configuration
1	Ground, shielding
2	Signal inverted (DMX-, 'cold signal')
3	Signal (DMX+, 'hot signal')

## 10 Troubleshooting



### **NOTICE!**

#### **Possible data transmission errors**

For error-free operation make use of dedicated DMX cables and do not use ordinary microphone cables.

Never connect the DMX input or output to audio devices such as mixers or amplifiers.

In the following we list a few common problems that may occur during operation. We give you some suggestions for easy troubleshooting:

Symptom	Remedy
The unit does not work, no light.	Check the mains connection and the fuse.
No response to the DMX controller.	1. Check the DMX ports and cables for proper connection.
	2. Check the address settings and the DMX polarity.
	3. Try using another DMX controller.
	4. Check to see if the DMX cables run near or alongside to high voltage cables that may cause damage or interference to DMX interface circuits.

If the procedures recommended above do not succeed, please contact our Service Center. You can find the contact information at [www.thomann.de](http://www.thomann.de).

## 11 Cleaning

### Optical lenses

Clean the optical lenses, that are accessible from the outside, regularly in order to optimize the light output. The frequency of cleaning depends on the operating environment: wet, smoky or particularly dirty surroundings can cause more accumulation of dirt on the optics of the device.

- Clean with a soft cloth using our lamp and lens cleaner (item no. 280122).
- Always dry the parts carefully.

### Fan grids

The fan grids of the device must be cleaned of any contamination, such as dust, etc. on a regular basis. Before cleaning, switch off the device and disconnect mains-operated devices from the mains. Only use pH-neutral, solvent-free and non-abrasive cleaning agents. Clean the unit with a slightly damp lint-free cloth.

## 12 Protecting the environment

### Disposal of the packaging material



For the transport and protective packaging, environmentally friendly materials have been chosen that can be supplied to normal recycling.

Ensure that plastic bags, packaging, etc. are properly disposed of.

Do not just dispose of these materials with your normal household waste, but make sure that they are collected for recycling. Please follow the notes and markings on the packaging.

### Disposal of your old device



This product is subject to the European Waste Electrical and Electronic Equipment Directive (WEEE) in its currently valid version. Do not dispose with your normal household waste.

Dispose of this device through an approved waste disposal firm or through your local waste facility. When discarding the device, comply with the rules and regulations that apply in your country. If in doubt, consult your local waste disposal facility.





