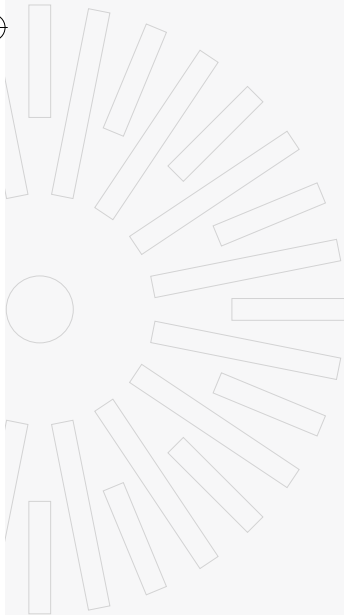




d:sign™

4097 CORE Supercardioid Choir Mic

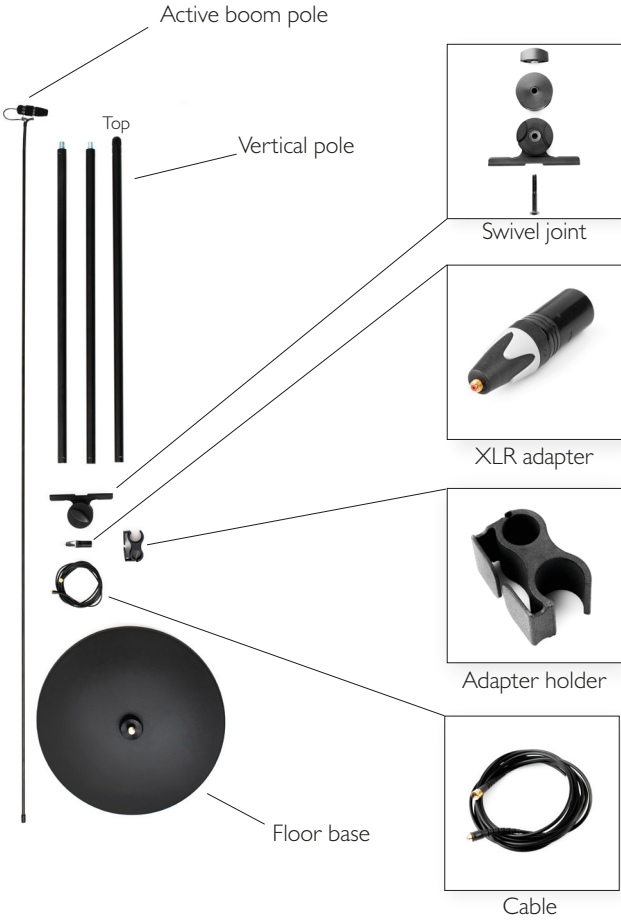
Installation guide




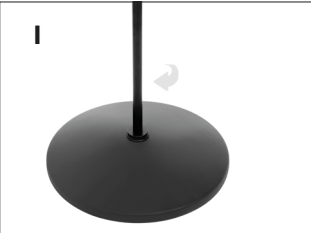
[dpamicrophones.com/4097](http://dpamicrophones.com/4097)

core  
by DPA

# What's inside the box?

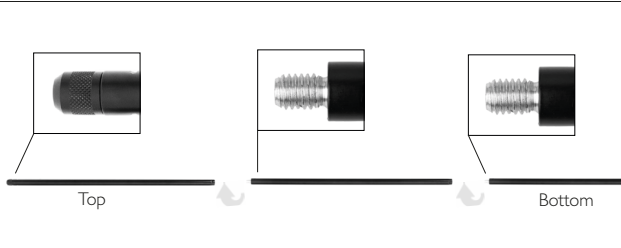


## Quick assembly guide



**1. Connect the vertical pole to the floor base**  
Take one of the two identical sections of the vertical pole and screw it onto the floor base.

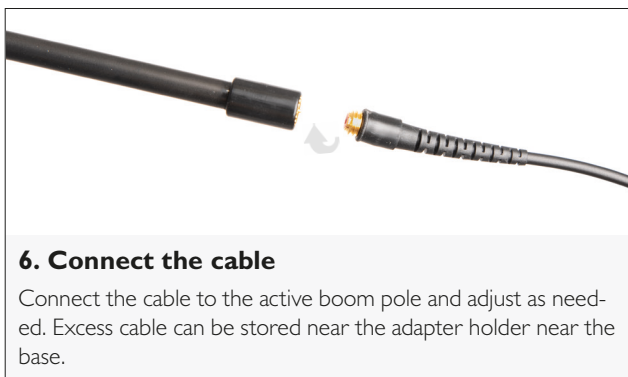
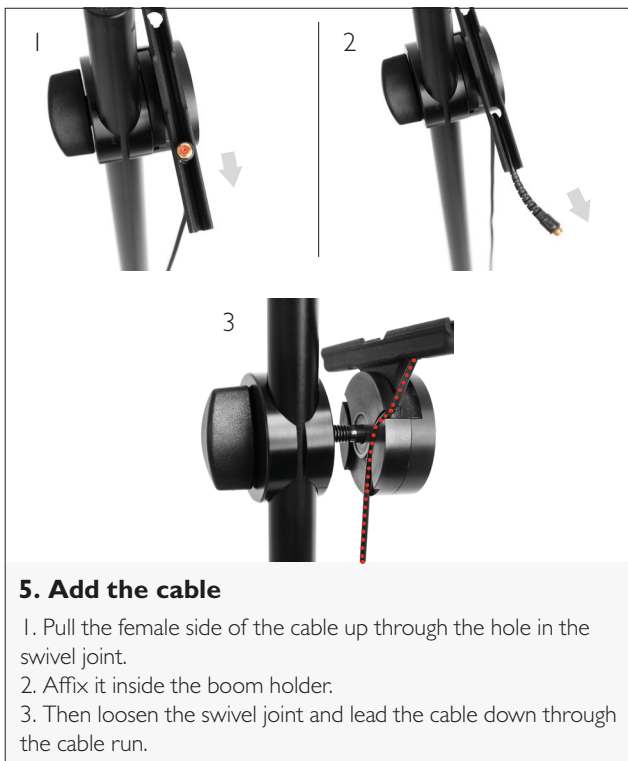
**2. Add the adapter holder**  
Pull adapter holder down to the middle of the pole and attach the XLR adapter or wireless transmitter. (See **7.**)

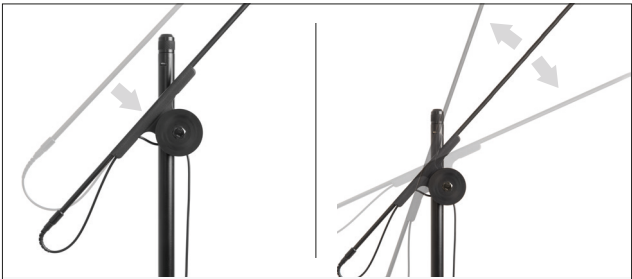
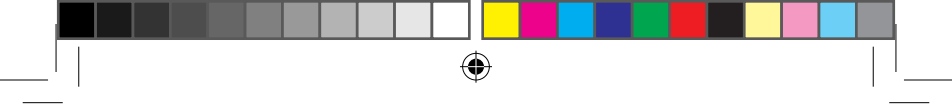


**3. Assemble the vertical pole**  
Add the two additional sections to complete the vertical pole. Leave out the middle section for a shorter pole.



**4. Add the swivel joint**  
Assemble the swivel joint, but do not tighten it just yet. Pull it down the vertical pole to a suitable height.





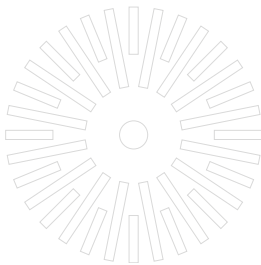
## 6. Attach the Active Boom Pole

Clip the boom pole firmly into the holder. You should hear it click. You can now adjust the position of the boom as needed.



## 7. Wired and wireless

Near the base, the adapter holder stores either a standard MicroDot to XLR adapter or a wireless transmitter. Any transmitter type in our adapter program can be used.



## Specifications

### Directional characteristics

Supercardioid

### Frequency range

20 Hz - 20 kHz

### Frequency range, $\pm 2$ dB, 20 cm (7.9 in)

80 Hz - 15 kHz with 2 dB soft boost at 10 - 12 kHz

Second order low-cut filter at 80 Hz with DAD4099

### Sensitivity, nominal $\pm 3$ dB at 1 kHz

16 mV/Pa; -36 dB re. 1 V/Pa

### Equivalent noise level, A-weighted

Typ. 23 dB(A) re. 20  $\mu$ Pa (max. 26 dB(A))

### S/N ratio (A-weighted), re. 1 kHz at 1 Pa (94 dB SPL)

71 dB

### Total harmonic distortion (THD)

< 1% up to 133 dB SPL peak

### Dynamic range

Typ. 110 dB

### Max. SPL, peak before clipping

135 dB

### Connector

MicroDot (XLR via supplied DAD4099 adapter)

### Color

Black

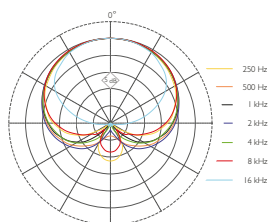
### Dimensions

Total weight: 5.5 kg (180 oz)

Floor base weight: 4.1 kg (155 oz)

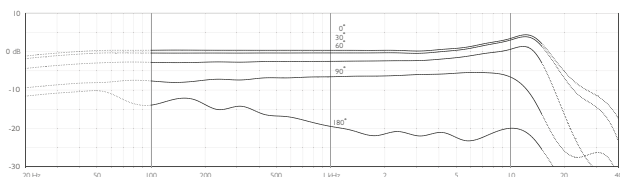
Maximum total height: 253.3 cm (99.7 in)

## Polar pattern

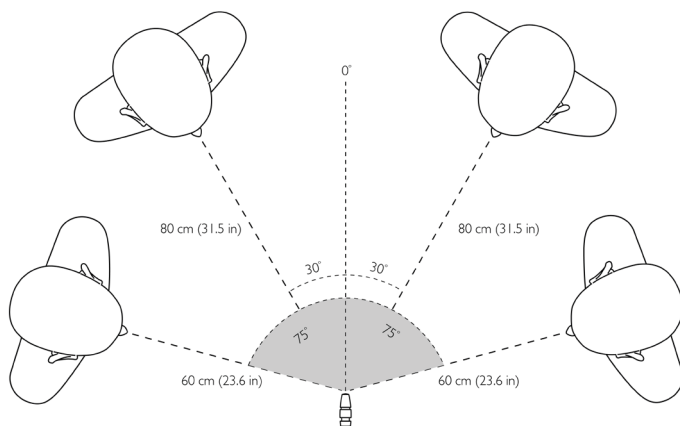
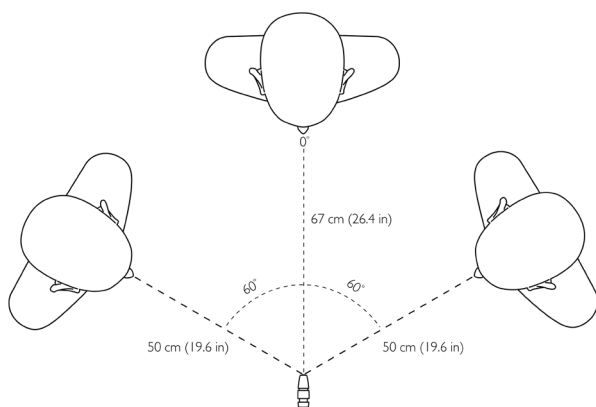
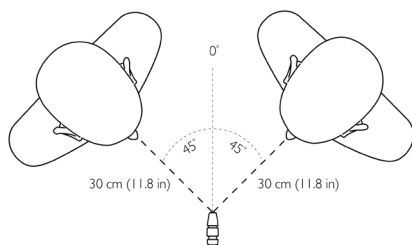


## Frequency response

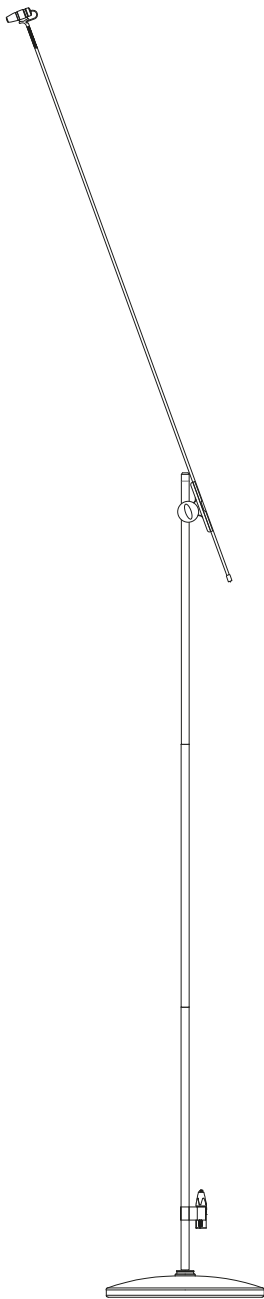
Measured at 20 cm (7.9 in)



## Application guide



Learn more about miking a choir at:  
[dpamicrophones.com/mic-university/how-to-mic-a-choir](http://dpamicrophones.com/mic-university/how-to-mic-a-choir)



**Service & repair**

If you are not satisfied with the characteristics exhibited by this product, please go to [dpamicrophones.com/service](http://dpamicrophones.com/service) for instructions.

**Warranty**

design™ 4097 CORE Supercardioid Choir Mic is covered by a two-year limited warranty.

**CE marking**

This product conforms to all relevant directives approved by the European Commission.



[dpamicrophones.com/4097](http://dpamicrophones.com/4097)

core  
by DPA

DPA-4097-1410