



LED Ball RGBW
50cm 4x8W DMX

LED ball

Musikhaus Thomann
Thomann GmbH
Hans-Thomann-Straße 1
96138 Burgebrach
Germany
Telephone: +49 (0) 9546 9223-0
E-mail: info@thomann.de
Internet: www.thomann.de

28.06.2019, ID: 460236

Table of contents

1	General information	6
	1.1 Further information.....	7
	1.2 Notational conventions.....	8
	1.3 Symbols and signal words.....	8
2	Safety instructions	11
3	Features	17
4	Installation	18
5	Starting up	20
6	Connections and controls	22
7	Operating	27
	7.1 Starting the device.....	27
	7.2 System settings.....	27
	7.3 Stand-alone mode.....	35
	7.4 DMX operation.....	41
	7.5 Menu overview.....	43

7.6	Functions in 2-channel DMX mode.....	46
7.7	Functions in 3-channel DMX mode.....	46
7.8	Functions in 4-channel DMX mode.....	49
7.9	Functions in 7-channel DMX mode.....	49
7.10	Functions in 9-channel DMX mode.....	52
7.11	Functions in 14-channel DMX mode.....	56
8	Technical specifications.....	60
9	Plug and connection assignments.....	63
10	Troubleshooting.....	64
11	Cleaning.....	66
12	Protecting the environment.....	67



LED Ball RGBW 50cm 4x8W DMX
LED ball

1 General information

This user manual contains important information on the safe operation of the device. Read and follow all safety notes and all instructions. Save this manual for future reference. Make sure that it is available to all persons using this device. If you sell the device to another user, be sure that they also receive this manual.

Our products and user manuals are subject to a process of continuous development. We therefore reserve the right to make changes without notice. Please refer to the latest version of the user manual which is ready for download under www.thomann.de.

1.1 Further information

On our website (www.thomann.de) you will find lots of further information and details on the following points:

Download	This manual is also available as PDF file for you to download.
Keyword search	Use the search function in the electronic version to find the topics of interest for you quickly.
Online guides	Our online guides provide detailed information on technical basics and terms.
Personal consultation	For personal consultation please contact our technical hotline.
Service	If you have any problems with the device the customer service will gladly assist you.

1.2 Notational conventions

This manual uses the following notational conventions:

Letterings

The letterings for connectors and controls are marked by square brackets and italics.

Examples: *[VOLUME]* control, *[Mono]* button.



Displays


Texts and values displayed on the device are marked by quotation marks and italics.

Examples: *'24ch'*, *'OFF'*.

1.3 Symbols and signal words

In this section you will find an overview of the meaning of symbols and signal words that are used in this manual.

Signal word	Meaning
DANGER!	This combination of symbol and signal word indicates an immediate dangerous situation that will result in death or serious injury if it is not avoided.
WARNING!	This combination of symbol and signal word indicates a possible dangerous situation that can result in death or serious injury if it is not avoided.
NOTICE!	This combination of symbol and signal word indicates a possible dangerous situation that can result in material and environmental damage if it is not avoided.
Warning signs	Type of danger
	Warning – high-voltage.
	Warning – dangerous optical radiation.

Warning signs	Type of danger
	Warning – danger zone.

2 Safety instructions

Intended use

This device is intended for use as an electronic lighting effect by means of LED technology. The device is designed for professional use and is not suitable for use in households. Use the device only as described in this user manual. Any other use or use under other operating conditions is considered to be improper and may result in personal injury or property damage. No liability will be assumed for damages resulting from improper use.

This device may be used only by persons with sufficient physical, sensorial, and intellectual abilities and having corresponding knowledge and experience. Other persons may use this device only if they are supervised or instructed by a person who is responsible for their safety.

Extend the life of the device by regular breaks in operation and avoid switching it on and off frequently. This device is not suitable for continuous use.

Safety



DANGER!

Danger for children

Ensure that plastic bags, packaging, etc. are disposed of properly and are not within reach of babies and young children. Choking hazard!

Ensure that children do not detach any small parts (e.g. knobs or the like) from the unit. They could swallow the pieces and choke!

Never let children unattended use electrical devices.



DANGER!

Electric shock caused by high voltages inside

Within the device there are areas where high voltages may be present. Never remove any covers.

There are no user-serviceable parts inside.

Do not use the device if covers, protectors or optical components are missing or damaged.



DANGER!

Electric shock caused by short-circuit

Do not modify the mains cable or the plug. Failure to do so could result in electric shock/death or fire. If in doubt, seek advice from a registered electrician.



WARNING!

Eye damage caused by high light intensity

Never look directly into the light source.



WARNING!

Risk of epileptic shock

Strobe lighting can trigger seizures in photosensitive epilepsy. Sensitive persons should avoid looking at strobe lights.

**NOTICE!****Risk of fire**

Do not block areas of ventilation. Do not install the device near any direct heat source. Keep the device away from naked flames.

**NOTICE!****Operating conditions**

This device has been designed for indoor use only. To prevent damage, never expose the device to any liquid or moisture. Avoid direct sunlight, heavy dirt, and strong vibrations.

Only operate the device within the ambient conditions specified in the chapter 'Technical specifications' of this user manual. Avoid heavy temperature fluctuations and do not switch the device on immediately after it was exposed to temperature fluctuations (for example after transport at low outside temperatures).

Dust and dirt inside can damage the unit. When operated in harmful ambient conditions (dust, smoke, nicotine, fog, etc.), the unit should be maintained by qualified service personnel at regular intervals to prevent overheating and other malfunction.



NOTICE!

Power supply

Before connecting the device, ensure that the input voltage (AC outlet) matches the voltage rating of the device and that the AC outlet is protected by a residual current circuit breaker. Failure to do so could result in damage to the device and possibly injure the user.

Unplug the device before electrical storms occur and when it is unused for long periods of time to reduce the risk of electric shock or fire.



NOTICE!

Possible damage due to installation of a wrong fuse

The use of different types of fuses can cause serious damage to the unit. Fire hazard!

Only fuses of the same type may be used.

3 Features

- LED ball made of PVC, diameter: 50 cm
- 2 eyelets M10 as suspension and for securing
- 4 × RGBW LEDs, each 8 W
- Control via DMX (six different modes), included IR remote control and via buttons and display on the unit
- Master / Slave function
- Automatic mode and sound control
- 2 built-in programmes with selectable speed and brightness
- static colour macros with adjustable brightness
- ideal for ambient lighting in clubs, bars and for events

For technological reasons, the light output of LEDs decreases over their lifetime. This effect increases with higher operating temperature. You can extend the service life of the illuminants by providing adequate ventilation and operating the LEDs with the lowest possible brightness.

4 Installation

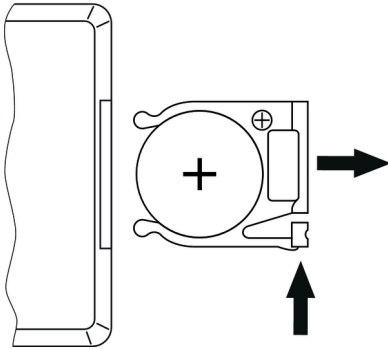
Unpack and check carefully there is no transportation damage before using the unit. Keep the equipment packaging. To fully protect the product against vibration, dust and moisture during transportation or storage use the original packaging or your own packaging material suitable for transport or storage, respectively.

You can install the device hanging from the ceiling.

Inserting the battery into the remote control

Press the lock of the battery holder to the centre of the housing and pull out the battery holder like a drawer. Insert the battery. The battery is correct if the positive pole points to the housing base of the remote control. Slide the battery holder back into the remote until it clicks into place.

When shipping, the battery is already installed in the remote and protected against discharge by a transparent plastic foil. Remove the plastic foil prior to first use.

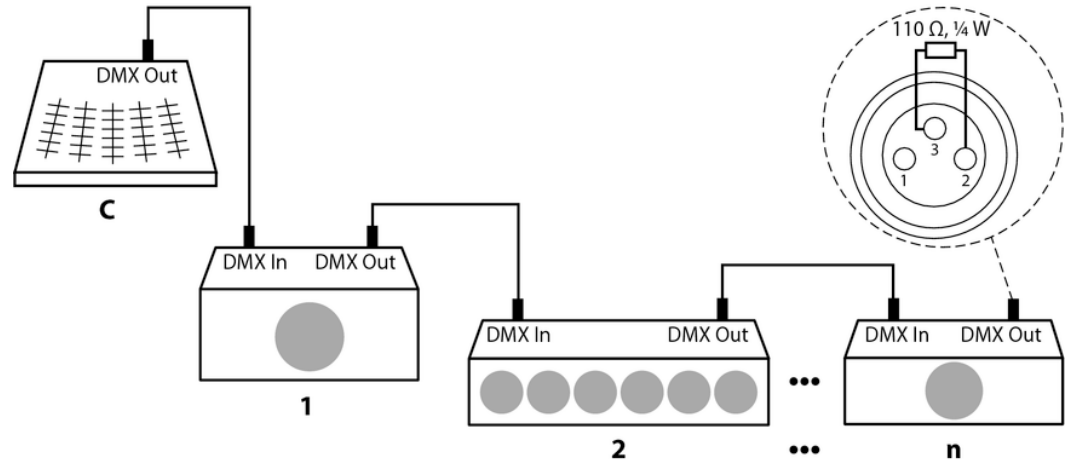


5 Starting up

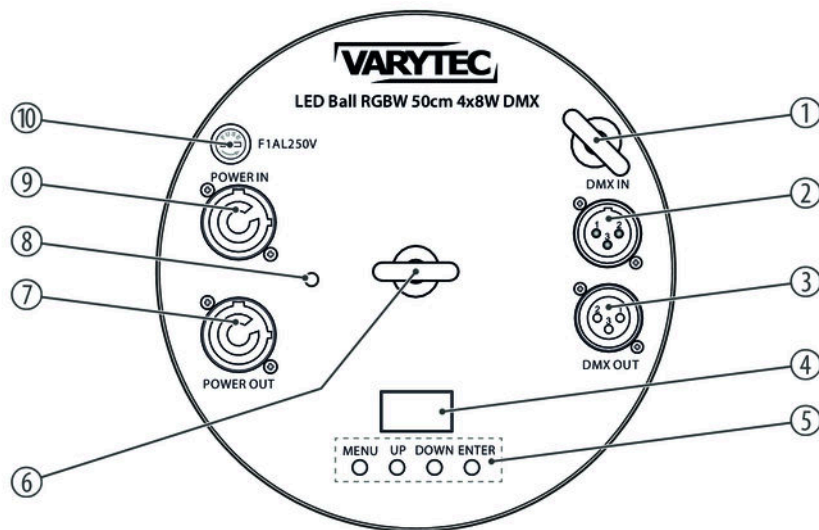
Create all connections while the device is off. Use the shortest possible high-quality cables for all connections. Take care when running the cables to prevent tripping hazards.

Connections in DMX mode

Connect the DMX input of the device to the DMX output of a DMX controller or another DMX device. Connect the output of the first DMX device to the input of the second one, and so on to form a daisy chain. Always ensure that the output of the last DMX device in the daisy chain is terminated with a resistor ($110\ \Omega$, $\frac{1}{4}\text{ W}$).



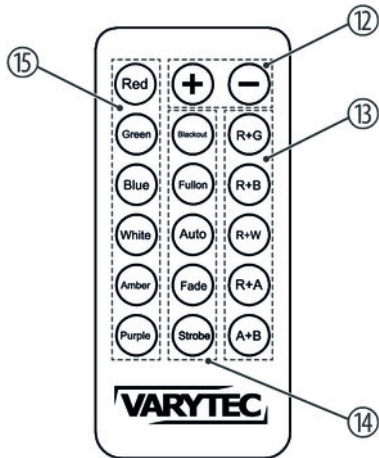
6 Connections and controls



1	Safety cable eyelet.
2	<i>[DMX IN]</i> DMX input, designed as 3-pin XLR chassis-mounted plug
3	<i>[DMX OUT]</i> DMX output, designed as 3-pin XLR chassis-mounted coupling
4	Display
5	Operating buttons
	<i>[ENTER]</i> Confirms a selected value.
	<i>[DOWN]</i> Decreases the displayed value by one.
	<i>[UP]</i> Increases the displayed value by one.

	<i>[MENU]</i> Opens the main menu.
6	Ring eyelet M10 as hanging option
7	<i>[POWER OUT]</i> Lockable output socket (Power Twist) to connect another device to the power supply
8	Infrared sensor for remote control
9	<i>[POWER IN]</i> Lockable input socket (Power Twist) to connect the device to the power supply
10	Fuse holder

Remote control



- | | | |
|----|-----------------------------|--|
| 12 | [+], [-] | Changes the auto or fade programmes, increases or decreases the strobe speed |
| 13 | Selection of a mixed colour | |

14 Function selection

[Blackout]

Button to turn the blackout on or off

[Strobe]

Turns the Strobe effect (flash) on or off

[Fullon]

Turns all colours to full brightness

[Auto]

Starts a preprogrammed automatic show

[Fade]

Turns the Fade effect (colour transition) on or off

15 Buttons to select a single basic colour

7 Operating

7.1 Starting the device

Connect the device to the power supply to start operation.

7.2 System settings

Activating the main menu

Press *[ENTER]* to activate the main menu. Use *[UP]* or *[DOWN]* to change the respectively indicated value. When the display shows the desired value press *[ENTER]*.

To exit the menu without making changes, press *[MENU]*.

Display reversal

Press *[MENU]* and then *[UP]* or *[DOWN]* until the menu item '*Settings*' is displayed and press *[ENTER]*.

Press *[UP]* or *[DOWN]* until the menu item '*Display Reverse*' is displayed and press *[ENTER]*. Use *[UP]* or *[DOWN]* to select one of the following options:

Display	Meaning
'ON'	The display inversion is activated, the display is rotated by 180°.
'OFF'	The display inversion is deactivated.

Confirm the desired selection with *[ENTER]*.

Backlight of the display

Press *[MENU]* and then *[UP]* or *[DOWN]* until the menu item *'Settings'* is displayed and press *[ENTER]*.

Press *[UP]* or *[DOWN]* until the menu item *'Display Backlight'* is displayed and press *[ENTER]*. Use *[UP]* or *[DOWN]* to select one of the following options:

Display	Meaning
<i>'ON'</i>	The backlight of the display remains permanently on during operation.
<i>'OFF'</i>	The backlight of the display is switched off 10 seconds after the last setting.

Confirm the desired selection with *[ENTER]*.

Behaviour on DMX control failure

Press *[MENU]* and then *[UP]* or *[DOWN]* until the menu item *'Settings'* is displayed and press *[ENTER]*.

Press *[UP]* or *[DOWN]* until *'DMX Fail'* is displayed and press *[ENTER]*. Use *[UP]* or *[DOWN]* to select one of the following options:

Display	Meaning
<i>'Hold'</i>	If the DMX control fails, the last setting is retained.
<i>'Blackout'</i>	If the DMX control fails, the spot light is blacked out.
<i>'Emergency Light'</i>	If the DMX control fails, an emergency Light kicks in.

Confirm the desired selection with *[ENTER]*.

Dimmer curve

Press [MENU] and then [UP] or [DOWN] until the menu item 'Settings' is displayed and press [ENTER].

Press [UP] or [DOWN] until 'Dimmer Curve' is displayed and press [ENTER]. Use [UP] or [DOWN] to select one of the following options:

Display	Meaning
'Linear'	Linear course
'Exponential'	Exponential course
'Logarithmic'	Logarithmic course
'S-curve'	S-curve shaped course

Confirm the desired selection with [ENTER].

Dimmer settings

Press *[MENU]* and then *[UP]* or *[DOWN]* until the menu item 'Settings' is displayed and press *[ENTER]*.

Press *[UP]* or *[DOWN]* until 'Dimmer Response' is displayed and press *[ENTER]*. Use *[UP]* or *[DOWN]* to select one of the following options:

Display	Meaning
'LED'	Dimmer settings for LED are activated.
'Halogen'	Imitation of the dimming behaviour for incandescent light is activated.

Confirm the desired selection with *[ENTER]*.

Key lock

Press *[MENU]* and then *[UP]* or *[DOWN]* until the menu item 'Settings' is displayed and press *[ENTER]*.

Press *[UP]* or *[DOWN]* until 'Auto Lock' is displayed and press *[ENTER]*. Use *[UP]* or *[DOWN]* to select one of the following options:

Display	Meaning
'On'	The key lock for unintentionally changing the settings is activated.
'Off'	The key lock for unintentionally changing the settings is deactivated.

Confirm the desired selection with *[ENTER]*.

Remote control

Press *[MENU]* and then *[UP]* or *[DOWN]* until the menu item 'Settings' is displayed and press *[ENTER]*.

Press *[UP]* or *[DOWN]* until 'IR Remote' is displayed and press *[ENTER]*. Use *[UP]* or *[DOWN]* to select one of the following options:

Display	Meaning
'On'	Control of the device via remote control is activated.
'Off'	Control of the device via remote control is deactivated.

Confirm the desired selection with *[ENTER]*.

Reset

Press *[MENU]* and then *[UP]* or *[DOWN]* until the menu item 'Settings' is displayed and press *[ENTER]*.

Press *[UP]* or *[DOWN]* until 'Factory Reset' is displayed and press *[ENTER]*. The display shows 'Reset Now'. Confirm with *[ENTER]*. The device is reset to factory default settings.

System information

Press *[MENU]* and then *[UP]* or *[DOWN]* until 'System Info' is displayed and press *[ENTER]*. Use *[UP]* or *[DOWN]* to select one of the following options:

Display	Meaning
'Firmware'	The current software version of the device will appear on the display.
'Temperature'	The display shows the current device temperature.
'Operation Hours'	The display shows the total number of operating hours.

Confirm the desired selection with *[ENTER]*.

7.3 Stand-alone mode

In stand-alone mode, you can make device settings directly by pressing a button.

Automatic show selection

Press *[MENU]* and then *[UP]* or *[DOWN]* until 'Stand Alone' is displayed and press *[ENTER]*. Press *[UP]* or *[DOWN]* repeatedly, until the display shows 'Auto' and press *[ENTER]*. Use *[UP]* or *[DOWN]* to select one of the two automatic shows (display shows 'Program 1' or 'Program 2') and select *[ENTER]*. To customize the speed and dimmer intensity of the selected show, use *[UP]* or *[DOWN]* to select one of the following options:

Display	Meaning
'Dimmer'	Dimmer intensity
'Speed'	Programme running speed

For the dimmer intensity, use *[UP]* or *[DOWN]* to select a value from '000' to '255', or for the programme speed a value from '000' to '100' and confirm it with *[ENTER]*.

Setting the microphone sensitivity for sound control

Press *[MENU]* and then *[UP]* or *[DOWN]* until 'Stand Alone' is displayed and press *[ENTER]*. Press *[UP]* or *[DOWN]* repeatedly, until the display shows 'Sound' and press *[ENTER]*. Use *[UP]* or *[DOWN]* to select either '000' (microphone off) or a sensitivity in the range of '01' (low) ... '99' (high).

Selecting and setting a colour macro

Press *[MENU]* and then *[UP]* or *[DOWN]* until 'Color Macro' is displayed and press *[ENTER]*. Use *[UP]* or *[DOWN]* to select one of the following options:

Display	Meaning
'Color Off'	Colour is turned off
'Red'	Red
'Amber'	Amber
'Yellow warm'	Warm yellow
'Yellow'	Yellow
'Green'	Green
'Turquoise'	Turquoise
'Cyan'	Cobalt blue
'Blue'	Blue
'Lavender'	Lilac

Display	Meaning
<i>'Mauve'</i>	Purple
<i>'Magenta'</i>	Crimson red
<i>'Pink'</i>	Pink
<i>'Warm White'</i>	Warm white
<i>'White'</i>	White
<i>'Cold White'</i>	Cold white

Confirm the desired selection with *[ENTER]*. To set the intensity of the colour macros, select for the respective colour *[UP]* or *[DOWN]* a value from '001' to '255' for the intensity and confirm the value with *[ENTER]*.

Selecting and setting a constant colour

Press *[MENU]* and then *[UP]* or *[DOWN]* until the display shows 'Static' and press *[ENTER]*. Use *[UP]* or *[DOWN]* to select one of the following options:

Display	Meaning
'Dimmer'	Dimmer intensity
'Strobe'	Strobe effect
'Red'	Red
'Green'	Green
'Blue'	Blue
'White'	White

Confirm the desired selection with *[ENTER]*. To set the intensity of the dimmer, the frequency of the strobe effect or the intensity of the constant colour, use *[UP]* or *[DOWN]* to select a value for the respective option from 0000 to 255 and confirm the value with *[ENTER]*.

Setting an individual mixed colour

Press *[MENU]* and then *[UP]* or *[DOWN]* until the display shows 'User Color' and press *[ENTER]*. Use *[UP]* or *[DOWN]* to select one of the six mixed colours (display shows 'Color1...Color6') that you can adjust individually and press *[ENTER]*. To customize the desired mixed colour, use *[UP]* or *[DOWN]* to select one of the following options:

Display	Meaning
'Dimmer'	Dimmer intensity
'Strobe'	Strobe effect
'Red'	Red
'Green'	Green
'Blue'	Blue
'White'	White

Confirm the desired selection with *[ENTER]*. To set the intensity of the dimmer, the frequency of the strobe effect or the intensity of the colour, use *[UP]* or *[DOWN]* to select a value for the respective option from '000' to '255' and confirm the value with *[ENTER]*.

7.4 DMX operation

Setting the DMX address

Press *[MENU]* and then *[UP]* or *[DOWN]* until the display shows the menu item 'DMX Address'.

Now you can set the number of the first DMX channel to be used by the device (DMX address). Use *[UP]* or *[DOWN]* to select a value between 1 and 512 (the display shows '001' ... '512'). Confirm the desired selection with *[ENTER]*.

Make sure that this number matches the configuration of your DMX controller. The following table shows the highest possible DMX address for the various DMX modes.

Mode	Highest possible DMX address
2-channel	511
3-channel	510
4-channel	509
7-channel	506
9-channel	504
14-channel	499

Selecting the DMX mode.

Press *[MENU]* and then *[UP]* or *[DOWN]* until the display shows 'DMX'.

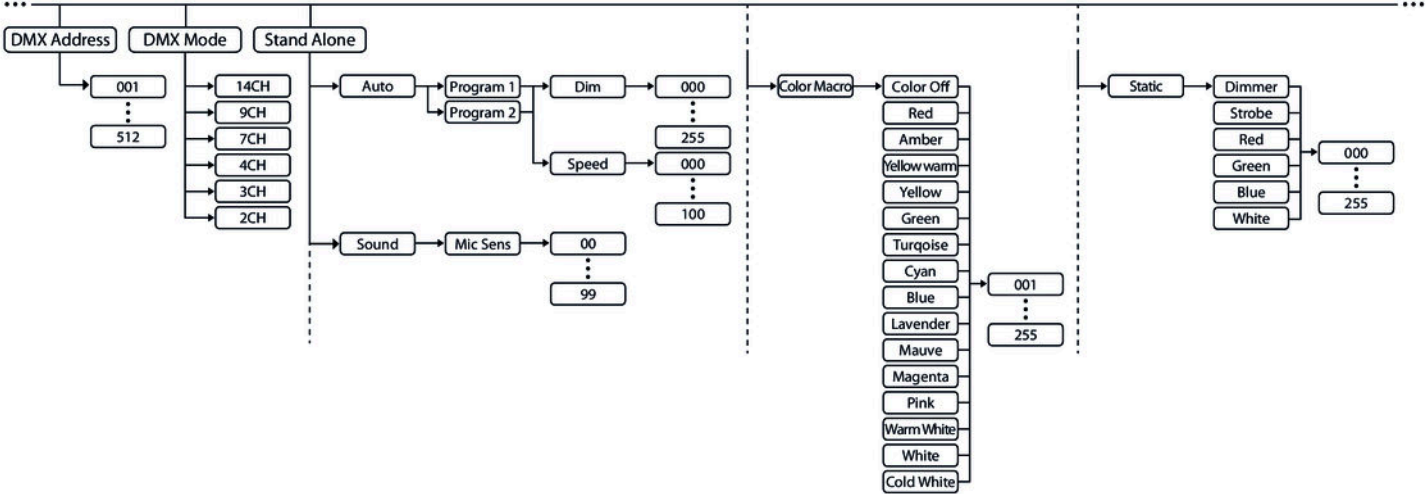
With *[UP]* or *[DOWN]* you can now select one of the following DMX modes:

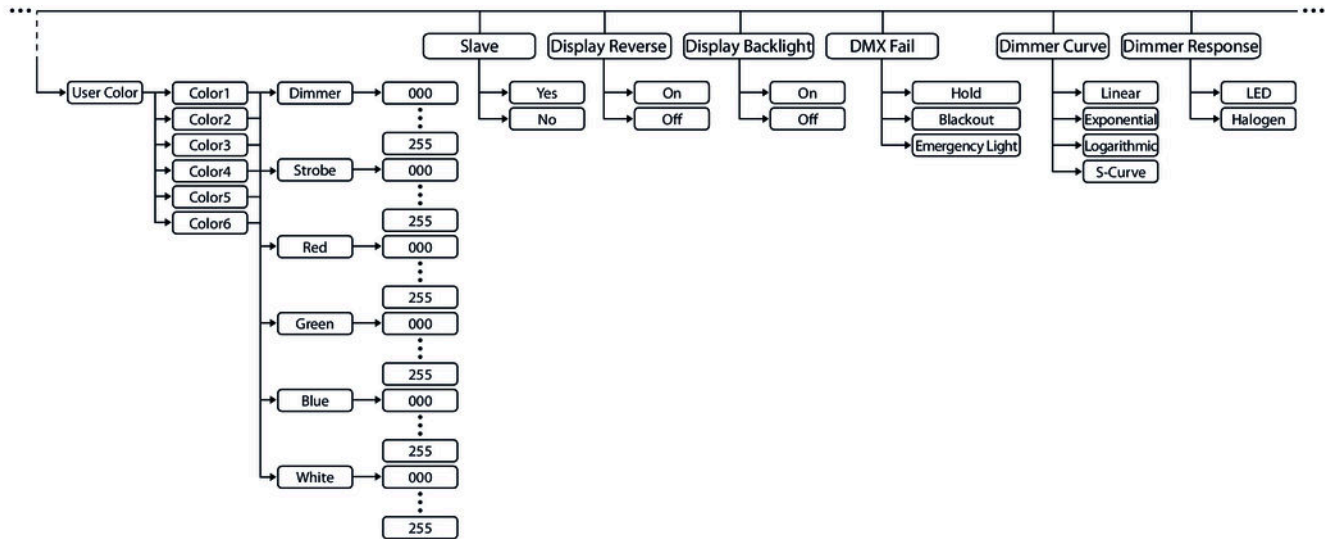
- '2CH' (two channels)
- '3CH' (three channels)
- '4CH' (four channels)
- '7CH' (seven channels)
- '9CH' (nine channels)
- '14CH' (14 channels)

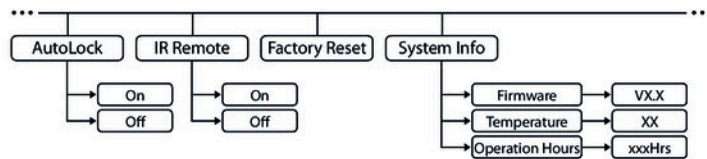
Confirm the desired selection with *[ENTER]*.

This setting is only relevant when the device is controlled via DMX.

7.5 Menu overview







7.6 Functions in 2-channel DMX mode

Channel	Value	Function
1	000...255	Dimmer function (0 %...100 %)
2	000...255	White light (7200 K...3200 K with open dimmer)

7.7 Functions in 3-channel DMX mode

Channel	Value	Function
1	000...255	Dimmer function (0 %...100 %)
2	000...005	Strobe effect on
	006...010	Strobe effect off
	011...033	Strobe effect, pulsing, increasing speed
	034...056	Ramp-up strobe effect, random, increasing speed

Channel	Value	Function
	057...079	Ramp-down strobe effect, random, decreasing speed
	080...102	Strobe effect, random, increasing speed
	103...127	Strobe effect, intermittent (5 s...1 s, short burst with break)
	128...250	Strobe effect with increasing frequency (1 Hz to 20 Hz)
	251...255	Strobe effect on
3	000...005	Colour is turned off
	006...013	Red
	014...021	Amber
	022...029	Warm yellow
	030...037	Yellow
	038...045	Green
	046...053	Turquoise
	054...061	Cobalt blue

Channel	Value	Function
	062...069	Blue
	070...077	Lilac
	078...085	Purple
	086...093	Crimson red
	094...101	Pink
	102...109	Warm white
	110...117	White
	118...125	Cold white
	126...127	Colour change stop
	128...191	Colour change, increasing speed
	192...255	Colour-fade effect, increasing speed, colours 1 to 12

7.8 Functions in 4-channel DMX mode

Channel	Value	Function
1	0...255	Intensity red (0 % to 100 %)
2	0...255	Intensity green (0 % to 100 %)
3	0...255	Intensity blue (0 % to 100 %)
4	0...255	Intensity white (0 % to 100 %)

7.9 Functions in 7-channel DMX mode

Channel	Value	Function
1	0...255	Dimmer function (0 % bis 100 %)
2	000...005	Strobe effect on
	006...010	Strobe effect off

Channel	Value	Function
	011...033	Strobe effect, pulsing, increasing speed
	034...056	Ramp-up strobe effect, random, increasing speed
	057...079	Ramp-down strobe effect, random, decreasing speed
	080...102	Strobe effect, random, increasing speed
	103...127	Strobe effect, intermittent (5 s...1 s, short burst with break)
	128...250	Strobe effect with increasing frequency (1 Hz to 20 Hz)
	251...255	Strobe effect on
3	000...255	Intensity red (0 % to 100 %)
4	000...255	Intensity green (0 % to 100 %)
5	000...255	Intensity blue (0 % to 100 %)
6	000...255	Intensity white (0 % to 100 %)
7	000...005	Colour is turned off
	006...013	Red

Channel	Value	Function
	014...021	Amber
	022...029	Warm yellow
	030...037	Yellow
	038...045	Green
	046...053	Turquoise
	054...061	Cobalt blue
	062...069	Blue
	070...077	Lilac
	078...085	Purple
	086...093	Crimson red
	094...101	Pink
	102...109	Warm white
	110...117	White

Channel	Value	Function
	118...125	Cold white
	126...127	Colour change stop
	128...191	Colour change, increasing speed
	192...255	Colour-fade effect, increasing speed, colours 1 to 12

7.10 Functions in 9-channel DMX mode

Channel	Value	Function
1	000...255	Dimmer function (0 % bis 100 %)
2	000...005	Strobe effect on
	006...010	Strobe effect off
	011...033	Strobe effect, pulsing, increasing speed

Channel	Value	Function
	034...056	Ramp-up strobe effect, random, increasing speed
	057...079	Ramp-down strobe effect, random, decreasing speed
	080...102	Strobe effect, random, increasing speed
	103...127	Strobe effect, intermittent (5 s...1 s, short burst with break)
	128...250	Strobe effect with increasing frequency (1 Hz to 20 Hz)
	251...255	Strobe effect on
3	000...255	Intensity red (0 % to 100 %)
4	000...255	Intensity green (0 % to 100 %)
5	000...255	Intensity blue (0 % to 100 %)
6	000...255	Intensity white (0 % to 100 %)
7	000...005	Colour is turned off
	006...013	Red
	014...021	Amber

Channel	Value	Function
	022...029	Warm yellow
	030...037	Yellow
	038...045	Green
	046...053	Turquoise
	054...061	Cobalt blue
	062...069	Blue
	070...077	Lilac
	078...085	Purple
	086...093	Crimson red
	094...101	Pink
	102...109	Warm white
	110...117	White
	118...125	Cold white

Channel	Value	Function
	126...127	Colour change stop
	128...191	Colour change, increasing speed
	192...255	Colour-fade effect, increasing speed, colours 1 to 12
8	000...005	Colour temperature off
	006...255	Colour temperature of 7200 K to 3200 K
9	000...005	No function
	006...063	Dimmer curve, linear
	064...127	Dimmer curve, exponential
	128...191	Dimmer curve, logarithmic
	200...255	Dimmer curve, S-shaped

7.11 Functions in 14-channel DMX mode

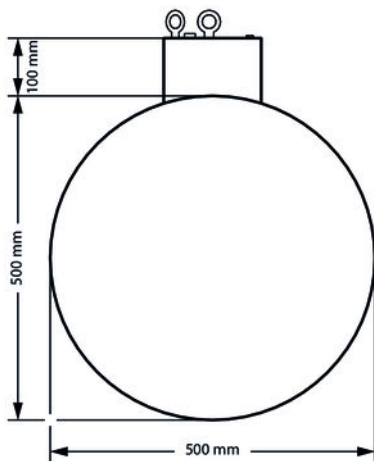
Channel	Value	Function
1	000...255	Dimmer function (0 % bis 100 %)
2	000...255	Fine tuning dimmer function (0 % bis 100 %)
3	000...005	Strobe effect on
	006...010	Strobe effect off
	011...033	Strobe effect, pulsing, increasing speed
	034...056	Ramp-up strobe effect, random, increasing speed
	057...079	Ramp-down strobe effect, random, decreasing speed
	080...102	Strobe effect, random, increasing speed
	103...127	Strobe effect, intermittent (5 s...1 s, short burst with break)
	128...250	Strobe effect with increasing frequency (1 Hz to 20 Hz)
	251...255	Strobe effect on

Channel	Value	Function
4	000...255	Intensity red (0 % to 100 %)
5	000...255	Fine tuning intensity red (0 % to 100 %)
6	000...255	Intensity green (0 % to 100 %)
7	000...255	Fine tuning intensity green (0 % to 100 %)
8	000...255	Intensity blue (0 % to 100 %)
9	000...255	Fine tuning intensity blue (0 % to 100 %)
10	000...255	Intensity white (0 % to 100 %)
11	000...255	Fine tuning intensity white (0 % to 100 %)
12	000...005	Colour is turned off
	006...013	Red
	014...021	Amber
	022...029	Warm yellow
	030...037	Yellow

Channel	Value	Function
	038...045	Green
	046...053	Turquoise
	054...061	Cobalt blue
	062...069	Blue
	070...077	Lilac
	078...085	Purple
	086...093	Crimson red
	094...101	Pink
	102...109	Warm white
	110...117	White
	118...125	Cold white
	126...127	Colour change stop
	128...191	Colour change, increasing speed

Channel	Value	Function
	192...255	Colour-fade effect, increasing speed, colours 1 to 12
13	000...005	Colour temperature off
	006...255	Colour temperature of 7200 K to 3200 K
14	000...005	No function
	006...063	Dimmer curve, linear
	064...127	Dimmer curve, exponential
	128...191	Dimmer curve, logarithmic
	200...255	Dimmer curve, S-shaped

8 Technical specifications



Light source	4 × 4in1 RGBW LED, 8 W	
Control	DMX	
	IR remote control	
	Buttons and display on the unit	
Number of DMX channels	2, 3, 4, 7, 9, 14	
Fuse	5 mm × 20 mm, 1 A, 250 V, fast blow	
Input connections	Voltage supply	Power Twist input socket
	DMX control	XLR chassis socket, 3-pin
Output connections	Voltage supply	Power Twist output socket
	DMX control	XLR chassis socket, 3-pin
Power consumption	max. 32 W	
Operating supply voltage	100 – 240 V ~ 50/60 Hz	

Battery for the remote control	Battery type	Lithium button cell, 3 V, CR 2025
Protection class	IP20	
Mounting options	hanging	
Dimensions (W × H × D)	500 mm × 620 mm × 500 mm	
Weight	7.6 kg	
Ambient conditions	Temperature range	0 °C...40 °C
	Relative humidity	50 %, non-condensing

Further information

DMX	Yes
Stand-alone function	Yes
Master/Slave	Yes
Remote control	included
Sound control	Yes
Display	Yes

9 Plug and connection assignments

Introduction

This chapter will help you select the right cables and plugs to connect your valuable equipment so that a perfect light experience is guaranteed.

Please take our tips, because especially in 'Sound & Light' caution is indicated: Even if a plug fits into a socket, the result of an incorrect connection may be a destroyed DMX controller, a short circuit or 'just' a not working light show!

DMX connections



The unit offers a 3-pin XLR socket for DMX output and a 3-pin XLR plug for DMX input. Please refer to the drawing and table below for the pin assignment of a suitable XLR plug.

Pin	Configuration
1	Ground, shielding
2	Signal inverted (DMX-, 'cold signal')
3	Signal (DMX+, 'hot signal')

10 Troubleshooting



NOTICE!

Possible data transmission errors

For error-free operation make use of dedicated DMX cables and do not use ordinary microphone cables.

Never connect the DMX input or output to audio devices such as mixers or amplifiers.

In the following we list a few common problems that may occur during operation. We give you some suggestions for easy troubleshooting:

Symptom	Remedy
The unit does not work, no light	Check the mains connection and the main fuse.
Apparently no function despite proper power supply	Check if the unit is in DMX mode or in 'slave' mode. If so, check the unit in another mode.
No response to the DMX controller	1. Check the address settings and the DMX polarity.
	2. Try using another DMX controller.
	3. Check whether the DMX cables run near or parallel to high-voltage cables that may cause damage or interference to a DMX interface circuit.

If the procedures recommended above do not succeed, please contact our Service Center. You can find the contact information at www.thomann.de.

11 Cleaning

Optical lenses

Clean the optical lenses, that are accessible from the outside, regularly in order to optimize the light output. The frequency of cleaning depends on the operating environment: wet, smoky or particularly dirty surroundings can cause more accumulation of dirt on the optics of the device.

- Clean with a soft cloth using our lamp and lens cleaner (item no. 280122).
- Always dry the parts carefully.

Fan grids

The fan grids of the device must be cleaned of any contamination, such as dust, etc. on a regular basis. Before cleaning, switch off the device and disconnect mains-operated devices from the mains. Only use pH-neutral, solvent-free and non-abrasive cleaning agents. Clean the unit with a slightly damp lint-free cloth.

12 Protecting the environment

Disposal of the packaging material



For the transport and protective packaging, environmentally friendly materials have been chosen that can be supplied to normal recycling.

Ensure that plastic bags, packaging, etc. are properly disposed of.

Do not just dispose these materials with your normal household waste, but make sure that they are fed to a recovery. Please follow the notes and markings on the packaging.

Disposal of batteries



Batteries must not be disposed of as domestic waste or thrown into fire. Dispose of the batteries according to national or local regulations regarding hazardous waste. To protect the environment, dispose of empty batteries at your retail store or at appropriate collection sites.

Disposal of your old device



This product is subject to the European Waste Electrical and Electronic Equipment Directive (WEEE) in its currently valid version. Do not dispose with your normal household waste.

Dispose this device through an approved waste disposal firm or through your local waste facility. When discarding the device, comply with the rules and regulations that apply in your country. If in doubt, consult your local waste disposal facility.

