



PAR 36, PAR 56,
PAR 64

LED PAR

Musikhaus Thomann
Thomann GmbH
Hans-Thomann-Straße 1
96138 Burgebrach
Germany
Telephone: +49 (0) 9546 9223-0
E-mail: info@thomann.de
Internet: www.thomann.de

27.05.2020, ID: 193245, ... (V3)

Table of contents

1	General information	5
	1.1 Further information.....	6
	1.2 Notational conventions.....	7
	1.3 Symbols and signal words.....	7
2	Safety instructions	10
3	Features	16
4	Installation	17
5	Starting up	21
6	Connections and operating elements	23
7	Operation	25
	7.1 Starting up the device.....	25
	7.2 'Auto change' mode.....	25
	7.3 'Auto fade' mode.....	26
	7.4 Manual mode.....	27
	7.5 DMX mode.....	28

8	Technical specifications.....	30
9	Plug and connection assignments.....	41
10	Troubleshooting.....	42
11	Cleaning.....	44
12	Protecting the environment.....	45

1 General information

This user manual contains important information on the safe operation of the device. Read and follow all safety notes and all instructions. Save this manual for future reference. Make sure that it is available to all persons using this device. If you sell the device to another user, be sure that they also receive this manual.

Our products and user manuals are subject to a process of continuous development. We therefore reserve the right to make changes without notice. Please refer to the latest version of the user manual which is ready for download under www.thomann.de.

1.1 Further information

On our website (www.thomann.de) you will find lots of further information and details on the following points:

Download	This manual is also available as PDF file for you to download.
Keyword search	Use the search function in the electronic version to find the topics of interest for you quickly.
Online guides	Our online guides provide detailed information on technical basics and terms.
Personal consultation	For personal consultation please contact our technical hotline.
Service	If you have any problems with the device the customer service will gladly assist you.

1.2 Notational conventions

This manual uses the following notational conventions:

Letterings

The letterings for connectors and controls are marked by square brackets and italics.

Examples: *[VOLUME]* control, *[Mono]* button.



Displays



Texts and values displayed on the device are marked by quotation marks and italics.

Examples: *'24ch'*, *'OFF'*.

1.3 Symbols and signal words

In this section you will find an overview of the meaning of symbols and signal words that are used in this manual.

Signal word	Meaning
DANGER!	This combination of symbol and signal word indicates an immediate dangerous situation that will result in death or serious injury if it is not avoided.
WARNING!	This combination of symbol and signal word indicates a possible dangerous situation that can result in death or serious injury if it is not avoided.
NOTICE!	This combination of symbol and signal word indicates a possible dangerous situation that can result in material and environmental damage if it is not avoided.
Warning signs	Type of danger
	Warning – high-voltage.
	Warning – dangerous optical radiation.

Warning signs	Type of danger
	<p>Warning – suspended load.</p>
	<p>Warning – danger zone.</p>

2 Safety instructions

Intended use

This device is intended for use as an electronic lighting effect by means of LED technology. The device is designed for professional use and is not suitable for use in households. Use the device only as described in this user manual. Any other use or use under other operating conditions is considered to be improper and may result in personal injury or property damage. No liability will be assumed for damages resulting from improper use.

This device may be used only by persons with sufficient physical, sensorial, and intellectual abilities and having corresponding knowledge and experience. Other persons may use this device only if they are supervised or instructed by a person who is responsible for their safety.

Extend the life of the device by regular breaks in operation and avoid switching it on and off frequently. This device is not suitable for continuous use.

Safety



DANGER!

Danger for children

Ensure that plastic bags, packaging, etc. are disposed of properly and are not within reach of babies and young children. Choking hazard!

Ensure that children do not detach any small parts (e.g. knobs or the like) from the unit. They could swallow the pieces and choke!

Never let children unattended use electrical devices.



DANGER!

Electric shock caused by high voltages inside

Within the device there are areas where high voltages may be present. Never remove any covers.

There are no user-serviceable parts inside.

Do not use the device if covers, protectors or optical components are missing or damaged.



DANGER!

Electric shock caused by short-circuit

Do not modify the mains cable or the plug. Failure to do so could result in electric shock/death or fire. If in doubt, seek advice from a registered electrician.



WARNING!

Eye damage caused by high light intensity

Never look directly into the light source.



WARNING!

Risk of epileptic shock

Strobe lighting can trigger seizures in photosensitive epilepsy. Sensitive persons should avoid looking at strobe lights.



NOTICE!

Risk of fire

Do not block areas of ventilation. Do not install the device near any direct heat source. Keep the device away from naked flames.



NOTICE!

Operating conditions

This device has been designed for indoor use only. To prevent damage, never expose the device to any liquid or moisture. Avoid direct sunlight, heavy dirt, and strong vibrations.

Only operate the device within the ambient conditions specified in the chapter 'Technical specifications' of this user manual. Avoid heavy temperature fluctuations and do not switch the device on immediately after it was exposed to temperature fluctuations (for example after transport at low outside temperatures).

Dust and dirt inside can damage the unit. When operated in harmful ambient conditions (dust, smoke, nicotine, fog, etc.), the unit should be maintained by qualified service personnel at regular intervals to prevent overheating and other malfunction.



NOTICE!

Power supply

Before connecting the device, ensure that the input voltage (AC outlet) matches the voltage rating of the device and that the AC outlet is protected by a residual current circuit breaker. Failure to do so could result in damage to the device and possibly injure the user.

Unplug the device before electrical storms occur and when it is unused for long periods of time to reduce the risk of electric shock or fire.

3 Features

The LED-PAR is ideal for professional lighting applications, for example, at events, on rock stages, in theatres and musicals or for TV productions. It's characterized by low power consumption and long service life.

Special features of the device:

- LEDs in three basic colours (RGB)
- Control via DMX and via DIP switches on the unit
- Preprogrammed automatic shows
- Sound control
- Robust metal housing

For technological reasons, the light output of LEDs decreases over their lifetime. This effect increases with higher operating temperature. You can extend the service life of the illuminants by providing adequate ventilation and operating the LEDs with the lowest possible brightness.

4 Installation

Unpack and check carefully there is no transportation damage before using the unit. Keep the equipment packaging. To fully protect the product against vibration, dust and moisture during transportation or storage use the original packaging or your own packaging material suitable for transport or storage, respectively.



WARNING!

Risk of injury caused by falling objects

Make sure that the installation complies with the standards and rules that apply in your country. Always secure the device with a secondary safety attachment, such as a safety cable or a safety chain.



NOTICE!

Risk of overheating

The distance between light output and the illuminated surface must be more than 1.5 m (19.7in).

Provide sufficient ventilation.

The ambient temperature must always be below 40 °C (104 °F).



NOTICE!

Use of stands

When mounting the device onto a stand, ensure that the stand is in a safe and stable position and that the weight of the device does not exceed the maximum permissible load capacity of the stand.

**NOTICE!****Possible data transmission errors**

For error-free operation make use of dedicated DMX cables and do not use ordinary microphone cables.

Never connect the DMX input or output to audio devices such as mixers or amplifiers.

Mounting options

You can install the unit in hanging or standing position. When in use, the device must always be attached to a solid surface or an approved truss. Use the openings of the bracket provided for mounting.

Always work from a stable platform whenever installing, moving or servicing the unit. In doing so, the area underneath the unit must be cordoned off.

The safety cable must be attached to the bracket.



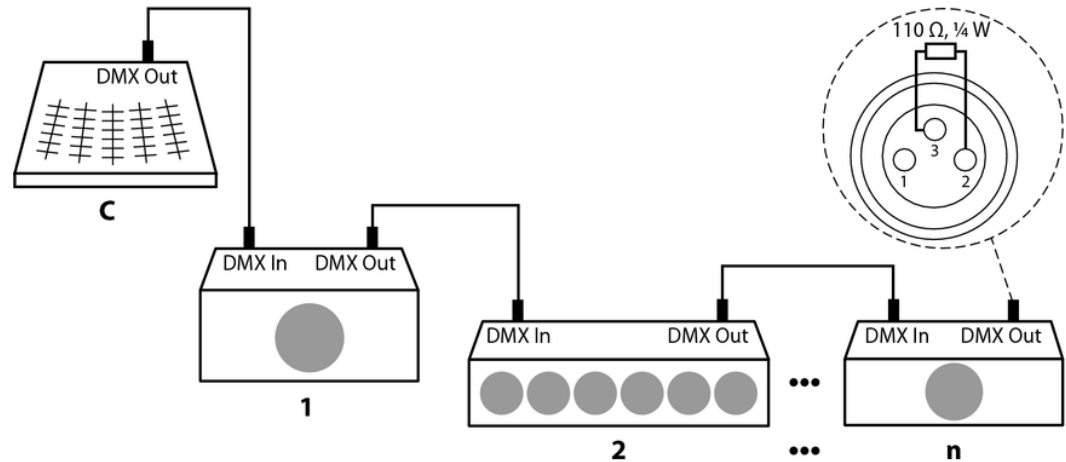
Please note that this device must not be connected to a dimmer.

5 Starting up

Create all connections while the device is off. Use the shortest possible high-quality cables for all connections. Take care when running the cables to prevent tripping hazards.

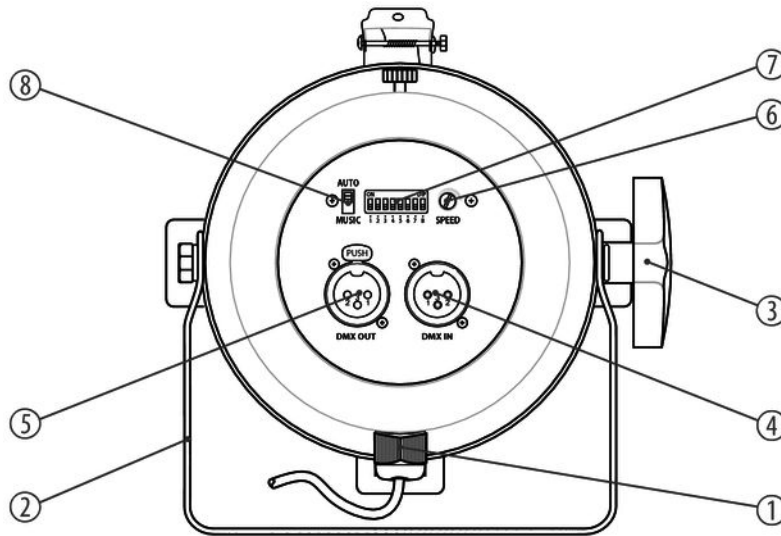
Connections in DMX mode

Connect the DMX input of the device to the DMX output of a DMX controller or another DMX device. Connect the output of the first DMX device to the input of the second one, and so on to form a daisy chain. Always ensure that the output of the last DMX device in the daisy chain is terminated with a resistor ($110\ \Omega$, $\frac{1}{4}\text{ W}$).



6 Connections and operating elements

Rear panel



PAR 36, PAR 56, PAR 64

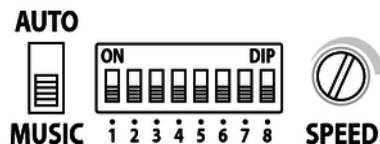
1	Power cord
2	Bracket for floor placement or hanging
3	Locking screw for the bracket.
4	<i>[DMX IN]</i> DMX input
5	<i>[DMX OUT]</i> DMX output
6	<i>[SPEED]</i> For manual speed setting
7	DIP switches for setting different functions depending on the mode.
8	<i>[AUTO/MUSIC]</i> Switch for selecting the operating mode (sound control or manual control)

7 Operation

7.1 Starting up the device

Connect the unit to the power grid to start the operation. After a few seconds the unit is ready for use.

7.2 'Auto change' mode

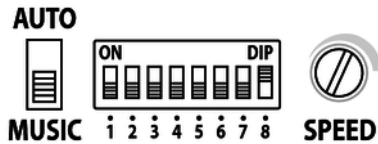


Set all DIP switches to 'OFF'.

For sound-control, set the switch to 'MUSIC'.

For controller operation, set the switch to 'AUTO'.

7.3 'Auto fade' mode



Set DIP switch no. 8 to 'ON'.

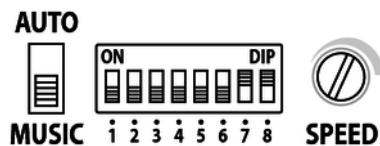
Set the fade time by adjusting the DIP switches according to the table below to 'ON':

DIP 1	DIP 2	DIP 3	DIP 4	DIP 5	DIP 6
2,5 s	5 s	10 s	20 s	40 s	80 s

When all DIP switches 1 to 6 are set to 'OFF' the fade time is 10:30 min per pattern.

The time spans controlled by the DIP switches 1 to 6 can also be added up. If you e.g. set DIP switches 1 and 2 to 'ON' the individual fade times add up like this: 2,5 s + 5 s = 7,5 s.

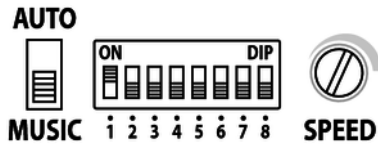
7.4 Manual mode



Set DIP switches 7 and 8 to 'ON'.

RED	DIP 1, 2	OFF/OFF	ON/OFF	OFF/ON	ON/ON
GREEN	DIP 3, 4				
BLUE	DIP 5, 6				
BRIGHTNESS		0	25 %	50 %	100 %

7.5 DMX mode



Set DIP switch 8 to 'OFF' and at least one of the other DIP switches to 'ON'. The channel assignment is shown in the overview:

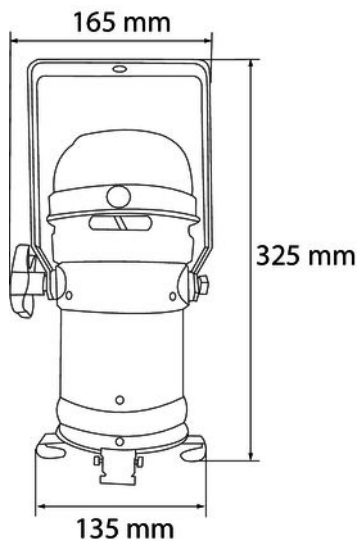
CH-1	CH-2	CH-3	CH-4	CH-5
MODE	RED	GREEN	BLUE	Speed
0 - 63 = RGB Control	0 - 255 = DIM	0 - 255 = DIM	0 - 255 = DIM	./.
64 - 127 = 7 Colour fades	./.	./.	./.	11 - 100 = high to low
128 - 191 = 7 Colour changes				151 - 255 = Speed control by the device, via music or controller
192 - 255 = 3 Colour changes				

You can set the DMX channel in a range of 1 to 123 via the DIP switches 1 to 7. DIP switch 1 is the first channel. Configure the desired channel using the DIP switches, whose channel numbers add up then:

DIP	1	2	3	4	5	6	7
Channel number	1	2	4	8	16	32	64

PAR 36, PAR 56, PAR 64

8 Technical specifications

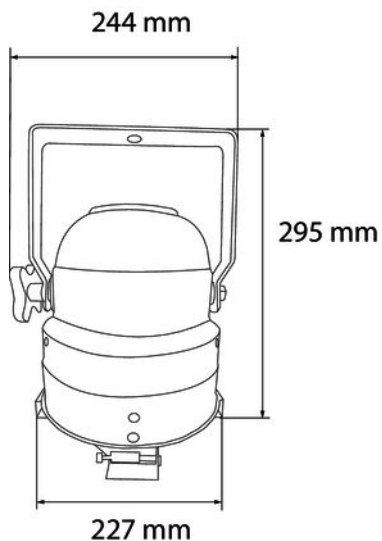


Item no. 193245/193246 Stairville LED PAR 36 Alu black/Alu polished

Light source	61 × high power (21 × red, 19 × green, 21 × blue)	
Optical properties	Beam angle	45°
Control	DMX, DIP switches on the unit	
Number of DMX channels	5	
Input connections	DMX control	XLR chassis socket, 3-pin
Output connections	DMX control	XLR chassis socket, 3-pin
Power consumption	max. 7 W	
Supply voltage	230 V ~ 50 Hz	
Degree of protection	IP20	
Mounting options	Hanging, standing	
Dimensions (W × H × D)	165 mm × 325 mm × 135 mm	

Weight	1.2 kg	
Ambient conditions	Temperature range	0 °C...40 °C
	Relative humidity	50 %, non-condensing

PAR 36, PAR 56, PAR 64



Item no. 193247/193248 Stairville LED PAR 56 Alu black/Alu polished

Light source	151 × high power (51 × red, 49 × green, 51 × blue)	
Optical properties	Beam angle	45°
Control	DMX, DIP switches on the unit	
Number of DMX channels	5	
Input connections	DMX control	XLR chassis socket, 3-pin
Output connections	DMX control	XLR chassis socket, 3-pin
Power consumption	max. 16 W	
Supply voltage	230 V ~ 50 Hz	
Degree of protection	IP20	
Mounting options	Hanging, standing	
Dimensions (W × H × D)	244 mm × 295 mm × 227 mm	
Weight	1.4 kg	

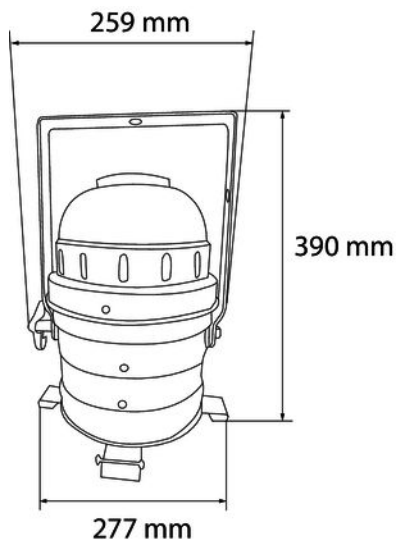
Ambient conditions	Temperature range	0 °C...40 °C
	Relative humidity	50 %, non-condensing



Item no. 215928/215930 Stairville LED PAR 56 Floor black/polished

Light source	153 × high power (51 × red, 51 × green, 51 × blue)	
Optical properties	Beam angle	45°
Control	DMX, DIP switches on the unit	
Number of DMX channels	5	
Input connections	DMX control	XLR chassis socket, 3-pin
Output connections	DMX control	XLR chassis socket, 3-pin
Power consumption	max. 16 W	
Supply voltage	230 V ~ 50 Hz	
Degree of protection	IP20	
Mounting options	Hanging, standing	
Dimensions (W × H × D)	223 mm × 325 mm × 236 mm	
Weight	1.4 kg	

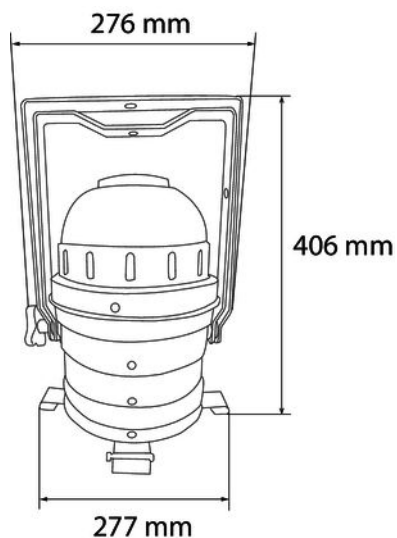
Ambient conditions	Temperature range	0 °C...40 °C
	Relative humidity	50 %, non-condensing



Item no. 193249/193250 Stairville LED PAR 64 Alu black/Alu polished

Light source	151 × high power (51 × red, 49 × green, 51 × blue)	
Optical properties	Beam angle	45°
Control	DMX, DIP switches on the unit	
Number of DMX channels	5	
Input connections	DMX control	XLR chassis socket, 3-pin
Output connections	DMX control	XLR chassis socket, 3-pin
Power consumption	max. 16 W	
Supply voltage	230 V ~ 50 Hz	
Degree of protection	IP20	
Mounting options	Hanging, standing	
Dimensions (W × H × D)	259 mm × 390 mm × 277 mm	
Weight	2.12 kg	

Ambient conditions	Temperature range	0 °C...40 °C
	Relative humidity	50 %, non-condensing



Item no. 215957/215958 Stairville LED PAR 64 Floor black/polished

Light source	151 × high power (51 × red, 49 × green, 51 × blue)	
Optical properties	Beam angle	45°
Control	DMX, DIP switches on the unit	
Number of DMX channels	5	
Input connections	DMX control	XLR chassis socket, 3-pin
Output connections	DMX control	XLR chassis socket, 3-pin
Power consumption	max. 16 W	
Supply voltage	230 V ~ 50 Hz	
Degree of protection	IP20	
Mounting options	Hanging, standing	
Dimensions (W × H × D)	276 mm × 406 mm × 277 mm	
Weight	2.12 kg	

Ambient conditions	Temperature range	0 °C...40 °C
	Relative humidity	50 %, non-condensing

Further information

	Item no. 193245	Item no. 193246	Item no. 193247	Item no. 193248	Item no. 215928
Design	PAR36		PAR56		
Colour mixture	RGB				
LED type	Unicoloured LEDs				
Base housing	No				Yes
Fanless	Yes				
Remote control	Not possible				
Wireless DMX	No				
Housing colour	Black	Silver	Black	Silver	Black

PAR 36, PAR 56, PAR 64

Further information

	Item no. 215930	Item no. 193249	Item no. 193250	Item no. 215957	Item no. 215958
Design	PAR56	PAR64			
Colour mixture	RGB				
LED type	Unicoloured LEDs				
Base housing	Yes	No		Yes	
Fanless	Yes				
Remote control	Not possible				
Wireless DMX	No				
Housing colour	Silver	Black	Silver	Black	Silver

9 Plug and connection assignments

Introduction

This chapter will help you select the right cables and plugs to connect your valuable equipment so that a perfect light experience is guaranteed.

Please take our tips, because especially in 'Sound & Light' caution is indicated: Even if a plug fits into a socket, the result of an incorrect connection may be a destroyed DMX controller, a short circuit or 'just' a not working light show!

DMX connections



The unit offers a 3-pin XLR socket for DMX output and a 3-pin XLR plug for DMX input. Please refer to the drawing and table below for the pin assignment of a suitable XLR plug.

Pin	Configuration
1	Ground, shielding
2	Signal inverted (DMX-, 'cold signal')
3	Signal (DMX+, 'hot signal')

10 Troubleshooting



NOTICE!

Possible data transmission errors

For error-free operation make use of dedicated DMX cables and do not use ordinary microphone cables.

Never connect the DMX input or output to audio devices such as mixers or amplifiers.

In the following we list a few common problems that may occur during operation. We give you some suggestions for easy troubleshooting:

Symptom	Remedy
The unit does not work, no light.	Check the mains connection and the fuse.
No response to the DMX controller.	1. Check the DMX ports and cables for proper connection.
	2. Check the address settings and the DMX polarity.
	3. Try using another DMX controller.
	4. Check to see if the DMX cables run near or alongside to high voltage cables that may cause damage or interference to DMX interface circuits.

If the procedures recommended above do not succeed, please contact our Service Center. You can find the contact information at www.thomann.de.

11 Cleaning

Optical lenses

Clean the optical lenses, that are accessible from the outside, regularly in order to optimize the light output. The frequency of cleaning depends on the operating environment: wet, smoky or particularly dirty surroundings can cause more accumulation of dirt on the optics of the device.

- Clean with a soft cloth using our lamp and lens cleaner (item no. 280122).
- Always dry the parts carefully.

12 Protecting the environment

Disposal of the packaging material



For the transport and protective packaging, environmentally friendly materials have been chosen that can be supplied to normal recycling.

Ensure that plastic bags, packaging, etc. are properly disposed of.

Do not just dispose of these materials with your normal household waste, but make sure that they are collected for recycling. Please follow the notes and markings on the packaging.

Disposal of your old device



This product is subject to the European Waste Electrical and Electronic Equipment Directive (WEEE) in its currently valid version. Do not dispose with your normal household waste.

Dispose of this device through an approved waste disposal firm or through your local waste facility. When discarding the device, comply with the rules and regulations that apply in your country. If in doubt, consult your local waste disposal facility.



Musikhaus Thomann · Hans-Thomann-Straße 1 · 96138 Burgebrach · Germany · www.thomann.de