

MD 46

Microphones | Reporter's Microphones

Cat. No. 005172

General Description

The MD 46 is a high-quality reporter's microphone with cardioid pick-up pattern. It has been specially optimised for rough use in live reporting and broadcasting environments. The MD 46 is a very 'good-natured' microphone whose design avoids wind and handling noise problems. Colour: black.



Technical Data

Pick-up pattern	cardioid
Frequency response	40 – 18,000 Hz
Sensitivity (free field, no load, 1 kHz)	2.0 mV/Pa ± 2.5 dB
Nominal impedance (1 kHz)	350 Ω
Min. terminating impedance	1 kΩ
Connector	3-pin XLR
Dimensions	∅ 49 x 250 mm (∅ 1.93" x 9.84")
Weight	appx. 360 g (12.70 oz)

Features

- Excellent speech clarity due to optimised frequency response
- Rugged and easy-to-handle microphone body
- Good sound quality
- Excellent suppression of handling noise
- Two-ply sound inlet basket provides increased protection from wind and pop noise
- Delivery includes: 1 MD 46

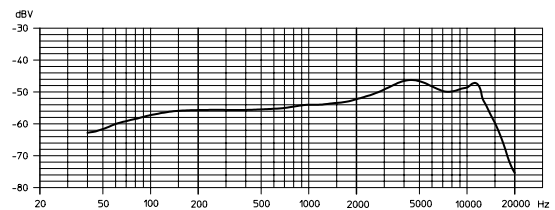
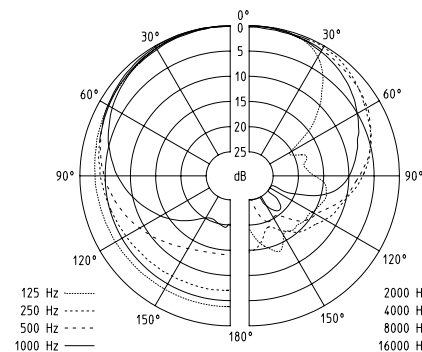
Recommended Accessories

- MZW 4032 windshield, anthracite
- MZW 1032-PRO velourised windshield, black
- MZQ 800 microphone clamp

Cat. No. 002978

Cat. No. 003746

Cat. No. 004711



Profile

Cardioid reporter's microphone, very insensitive to wind and pop noise, max. front-to-back rejection at 1 kHz and 180°: 20 dB, frequency response 40 Hz to 18,000 Hz, sensitivity (free field, no load) 2.0 mV/Pa ± 2.5 dB at 1 kHz, nominal impedance 350 Ω at 1 kHz, min. terminating impedance 1,000 Ω, XLR-3 connector, dimensions ∅ 49 x 250 mm (∅ 1.93" x 9.84"), weight appx. 360 g (12.70 oz).