

Power Pins™

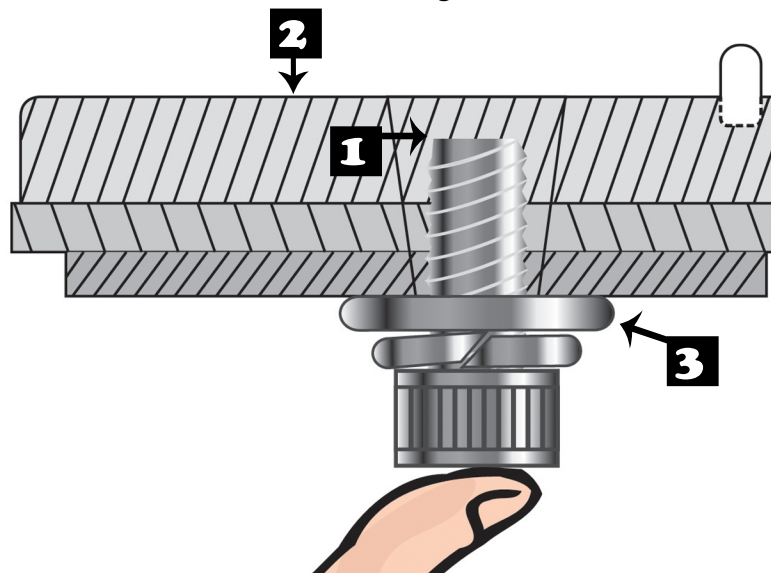
Model PP-1

Assembly Instructions

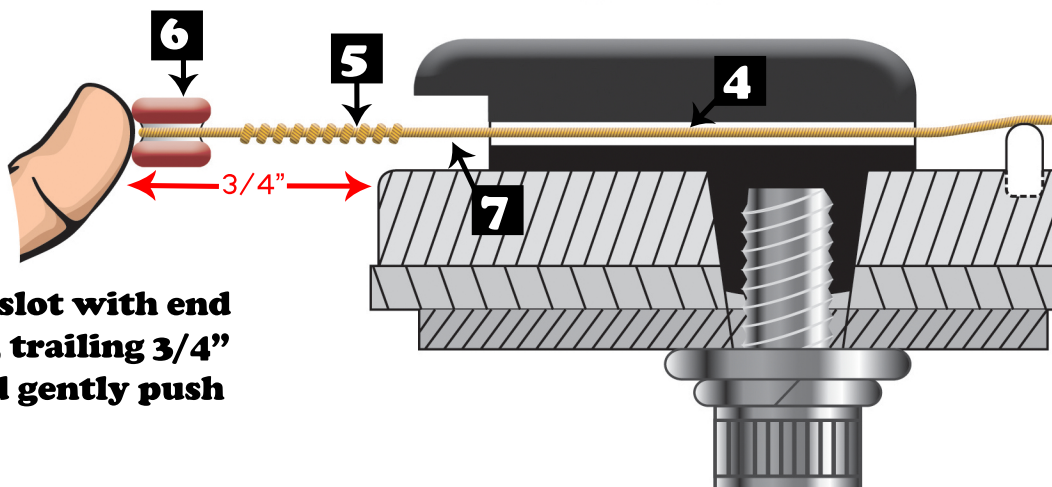
Contents: Kit includes six pins, each with three flat washers and one lock washer

Pin Markings: Low E & A strings are marked with "B", D & G with "M", and B & high E with "H"

Tip of screw (1) should be level with or slightly below the surface (2) of the bridge, prior to assembly. If tip protrudes, add extra flat washer(s) (3). Tighten screw to snug with allen wrench. **DO NOT OVERTIGHTEN**



Slide string body (4) into slot with end wrap (5) and ball end (6), trailing 3/4" behind end pocket (7) and gently push ball end into pocket



Ball end must lay flat and be firmly seated in the pocket (8)

