

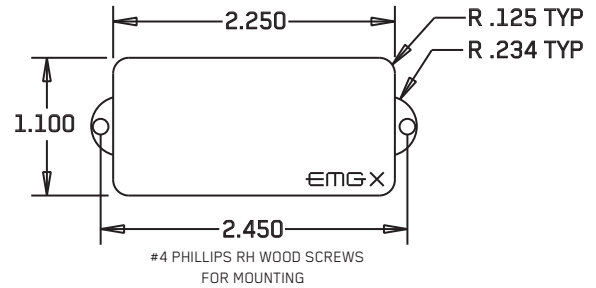


0230-0130A

PO BOX 4394
SANTA ROSA, CA
95402 USA

P (707) 525-9941
F (707) 575-7046
EMGPICKUPS.COM

X-SERIES



INSTALLATION INFORMATION
EMG MODELS: **P-X, PA-X, P-CS-X (4-STRING)**
P5-X (5-STRING)
P6-X, P6-CS-X (6-STRING)

SPECIFICATIONS:

	P-X, P5-X, P6-X	PA-X	MODEL:	P-CS-X, P6-CS-X
Logo Color	Silver	Gold		Silver
Magnet Type*	C	A		C/S
Resonant Frequency (KHz)	3.20	2.61		2.61
Output Voltage (String)	2.00	2.00		2.00
Output Voltage (Thump)	8.50	8.50		8.50
Output Noise (60 Hz)	-106	-101		-101
Output Impedance (Kohm)	2.00	2.00		2.00
Current @9V (Microamps)	80	80		80
Battery Life (Hours)	3000	3000		3000
Maximum Supply (Volts DC)	27	27		27

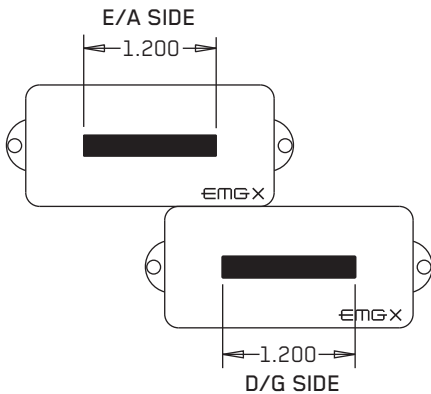
*Note: Magnet Type: A (Alnico) C (Ceramic) C/S (Ceramic and Steel)

PICKUP AND MAGNET DIMENSIONS:

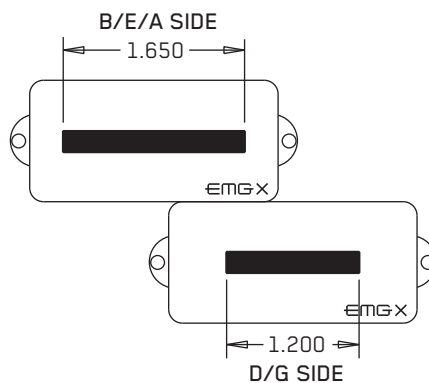
All EMG-P Models (P, P5, and P6) have the same housing dimensions (shown above).

The differences in each of the models are in the magnet width only. Models EMG-P and EMG-PA are direct replacements for the 4-string Fender Precision Bass. The P5, P5-CS, P6, and P6-CS models are intended for guitars that are custom or that will be modified to fit the pickups. The drawings below show the magnet placement for all versions, 4, 5, and 6-string. Be sure to align the magnet with the strings in order to assure even pickup from the strings.

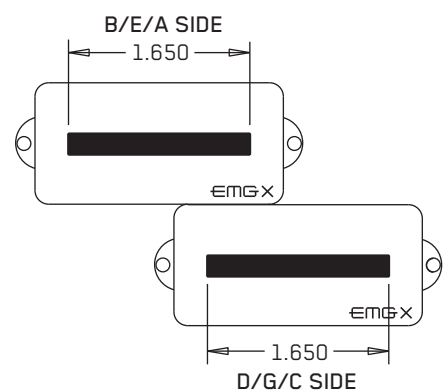
EMG-P-X, PA-X, P-CS-X



EMG-P5-X



EMG-P6-X, P6-CS-X



WARRANTY

All EMG Pickups and accessories are warranted for a period of two years. This warranty does not cover failure due to improper installation, abuse or damage. If upon examination the pickup is determined to be defective, a replacement will be made. Warranty replacement products are covered by this same warranty. This warranty covers only those pickups and accessories sold by authorized EMG Dealers. This warranty is not transferable.

IMPORTANT INSTALLATION NOTES:

- 1) Only one 9-Volt battery is required to power the pickups and any accessories such as the EXB, BTC, B125 Blend, and BQ Controls. Use an Alkaline or Lithium battery for longest life.
- 2) The Volume and Tone controls included with this EMG System are 25K Ohm. This value is required for the system to work correctly.
- 3) A stereo output jack (12B) is included with the EMG Pickups; it grounds the black battery wire to turn on the pickups when the plug is inserted into the jack. If you are replacing passive pickups, make sure to use the jack included. If your guitar has a long panel jack (see Page 4, bottom), make sure it is a stereo type, a Switchcraft 152B is recommended.
- 4) When installing EMG Active Pickups, DO NOT connect the bridge ground wire. This wire is usually soldered to a volume or tone control casing and goes to the bridge. This wire grounds the strings and uses them and your body as a shield against hum and buzz. It also creates a shock hazard.

EMG Pickups are shielded internally and DO NOT require string grounding. This greatly reduces the possibility of reverse polarity shock from microphones and other equipment.

- 5) EMG Active Pickups have very little magnetism compared to passive pickups. We recommend you adjust the pickups as close to the strings as possible. Sustain and string movement will not be inhibited by close adjustment.
- 6) If your installation is different from the diagrams in these instructions or you need additional diagrams visit our website: emgpickups.com for a complete listing of available diagrams.

7) SPECIAL NOTE:

The diagrams shown are for EMG Active Pickups. All diagrams show the Red Wire coming from the pickups connected to the battery. If you are installing EMG-HZ Passive Pickups refer to their diagrams. The Red Wire of the HZ Pickup is NOT for battery power, it is a coil wire.

Installation Instructions:

EMG Models: EMG-P-X, P-CS-X (4-STRING)
P5-X, P5-CS-X (5-STRING)
P6-X, P6-CS-X (6-STRING)

General Notes:

Every attempt has been made to make this a solderless installation. There are some instances where this is not possible;

- 1) If your instrument uses the long panel output jack and you had passive pickups you will need a new stereo output jack, the Switchcraft 152B is recommended. Soldering to the new jack will be required, see page 4.
- 2) Power Supply tips are on page 4. If your instrument has a battery holder, you are installing this pickup with an older EMG, or you want to supply your instrument with +18 Volts, see page 4 for tips to avoid soldering.

If you are installing only one pickup use the instructions on this page.
If you are installing two pickups go to page 3 and begin there.

Installation (One Pickup Guitars):

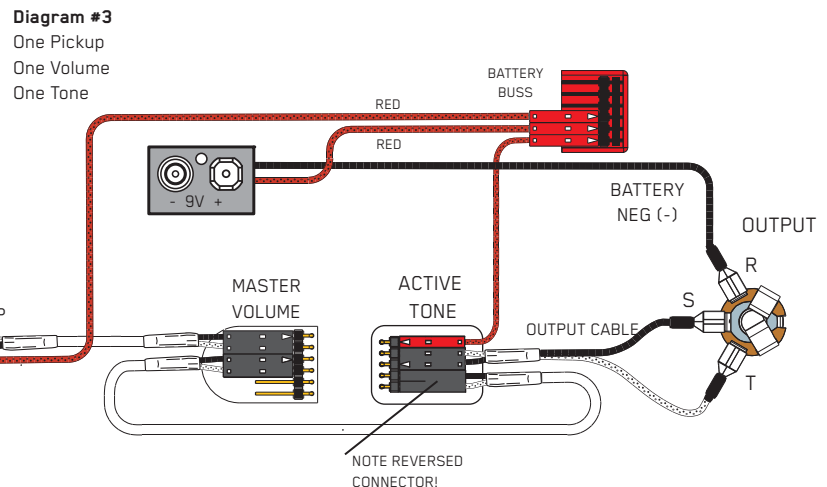
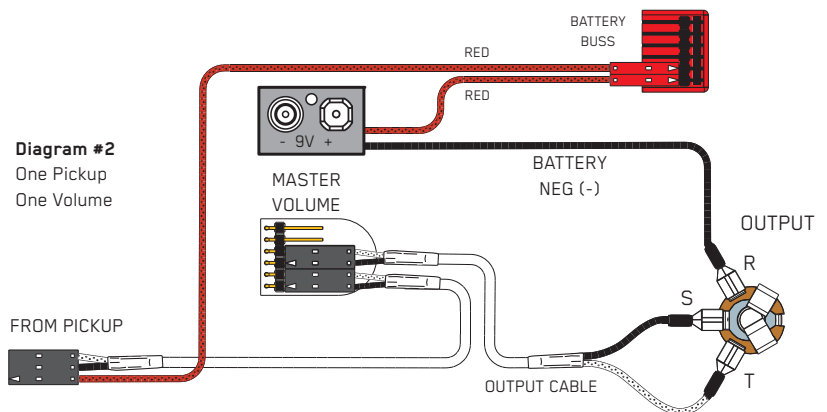
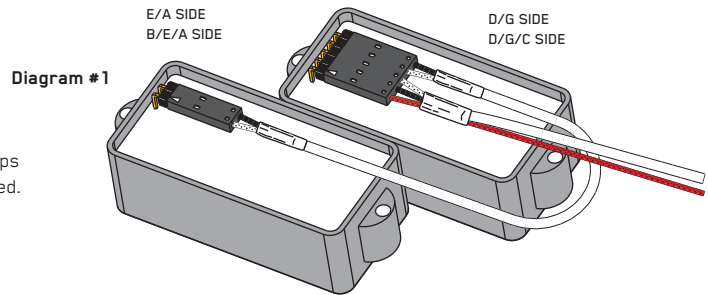
- 1) Plug the pickup cable onto the EMG Pickup header as shown in Diagram #1 and route the cable to the control cavity. If the cable is too long, wind up the excess and keep it under the pickup if possible.

Master Volume control only

- 2) Refer to Diagram #2. Plug both the Pickup cable and the output cable onto the Volume control as shown, then go to step 4.

Master Volume and Active Tone control

- 3) Refer to Diagram #3.
Install the VLPF Active Tone included with the X Series Pickup. Plug a coax cable from the Volume control to the Active Tone Control. (Note the reversed connector on pins 1 and 2). Insert the output cable onto the Tone control as shown (Pins 3 and 4).
- 4) Connect the output wires to the output jack by pushing the connectors onto the jack as shown.
WHITE wire to the TIP (T) contact,
BLACK wire to the SLEEVE (S) contact
BLACK Battery Negative wire to the RING (R) contact.
- 5) Using the battery buss, insert the RED wire of the pickup, the battery RED wire, and the RED wire from the VLPF onto any of the pins. Extra pins can be used for EMG Accessories.
- 6) Put the battery in the insulating foam piece provided and place it securely in the control cavity. We suggest that you plug in the instrument and test it before closing the control cavity.



Installation Instructions:

EMG Models: EMG-P-X, P-CS-X (4-STRING)

P5-X, P5-CS-X (5-STRING)

P6-X, P6-CS-X (6-STRING)

2 Pickups, 2 Volume controls, VLPF Active Master Tone, no selection switch

J-Bass Style wiring

Refer to Diagram #4

- 1) Install the Pickups and route the Pickup cables to the control cavity.
If the cables are too long, keep any excess under the pickup.
- 2) Mount the Volume and Tone controls into the body / pickguard.
Plug the Neck Pickup Cable onto the Neck Volume control.
Plug the Bridge Pickup Cable onto the Bridge Volume control.
- 3) Plug a coax cable from the Neck Volume control to the Bridge Volume Control.
- 4) Plug a coax cable from the Bridge Volume control the VLPF Master Tone control.
- 5) Plug the output cable from the VLPF Master Tone control and connect the output wires to the output jack by pushing the connectors on as shown.
WHITE wire onto the TIP (T) contact,
BLACK wire onto the SLEEVE (S) contact
BLACK Battery Negative wire onto the RING (R) contact.
- 6) Plug the RED Wires of the pickups onto the V+ Supply Buss (RED Shroud) along with the RED of the battery clip.
Extra pins on the V+ Supply Buss are for EMG Accessories.
- 7) Put the battery in the insulating foam piece provided and place it securely in the control cavity.
We suggest that you plug in the instrument and test it before closing the control cavity.

******Tips and Tricks******

Start your installation by:

- 1) Read the General Notes on Page 2 if you haven't already and determine if you have the right output jack for your instrument. A Stereo 12B type (Included) or a 152B Long Panel Jack will be required.
- 2) Remove the strings
- 3) Remove any existing Pickups and controls
(remember the order and function of each control)
- 4) Install the EMG Volume and Tone Controls and tighten them in.
- 5) Then install the pickups keeping any excess cable under the pickup rather than in the control cavity.

Diagram #4
Volume / Volume
Master Tone (Passive)

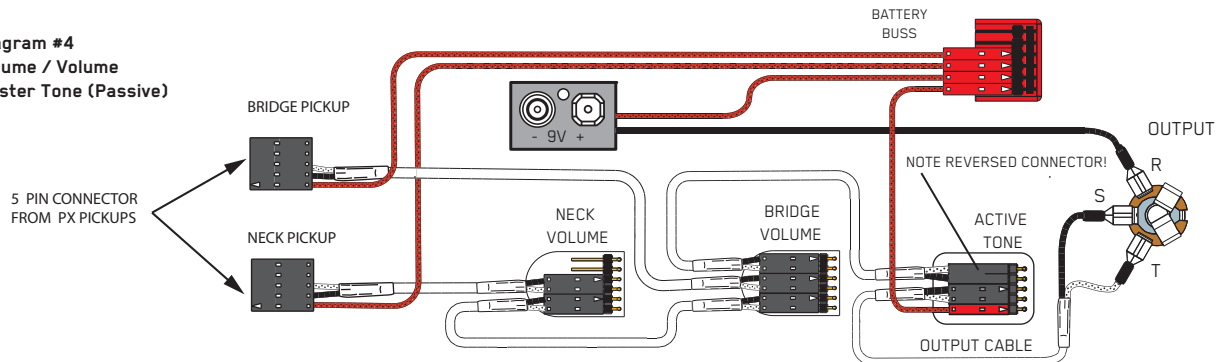
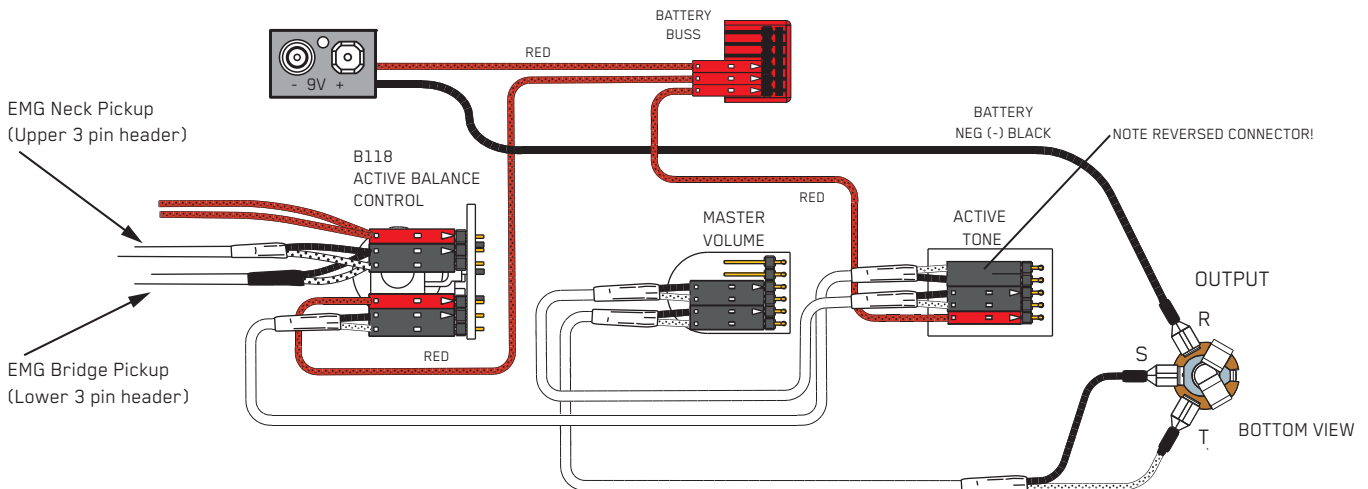
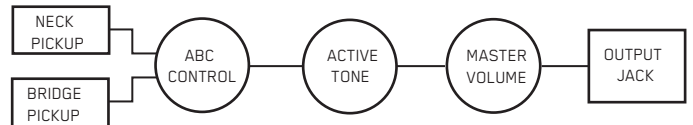


Diagram #5 (preferred wiring order)
B118 Active Balance Control
Active Tone / Master Volume

This installation can be used for instruments with 3 control positions like the diagram above, but use a Balance control instead of 2 Volume controls. The VLPF Active Tone Control shown in this diagram can be replaced with the EMG-EXB Expander, EMG-BTC Control (Active Bass and Treble EQ) or the VMC.



Using the B157 Pickup Buss:

If your instrument has 2 Pickups and a selection switch you will be using the B157 Pickup Buss to send the pickup signals to the selection switch. Refer to the B157 Instructions included.

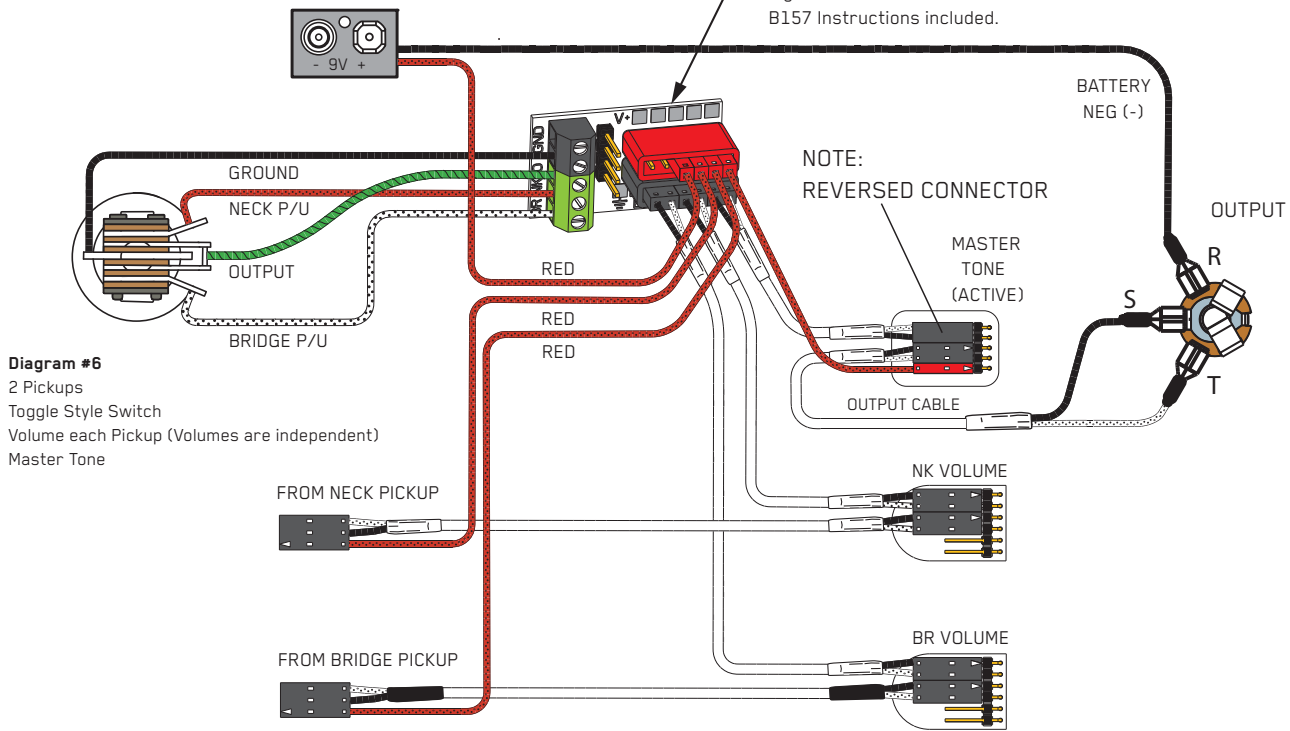


Diagram #6
2 Pickups
Toggle Style Switch
Volume each Pickup (Volumes are independent)
Master Tone

Diagram #7

Soldering to the 152B Panel Jack:

If your instrument has a long Panel Jack like the one below you will have to solder the output cable as shown.
Ground (Black) to the sleeve
Signal (White) to the Tip
Battery Negative (Black) to the Ring

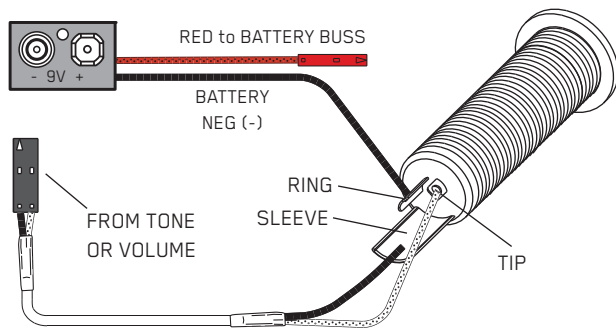


Diagram #8

Soldering to the battery buss:

If your instrument has an older EMG Pickup you can solder the pickup RED wire to the buss. Simply use some needle nose pliers, pull out the V+ header and solder the RED Wire from the pickup(s) to any of the pins and then re-insert the header into the housing.

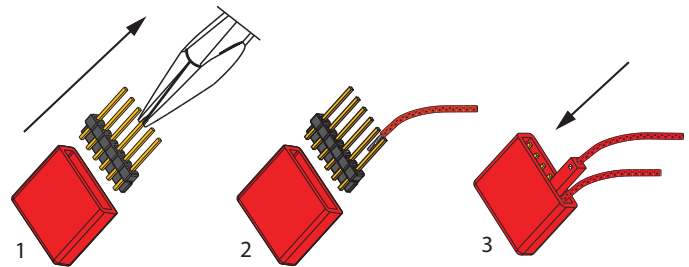


Diagram #9

If the instrument has a Battery Holder:

If your instrument has a 9 or 18 Volt battery holder you can still use the EMG Connectors to supply power to the pickups. Simply cut and strip the wires from the battery clip provided. Twist the wires together (Red to Red and Black to Black) and use the shrink tubing included to cover the connections. Soldering the wires is recommended.

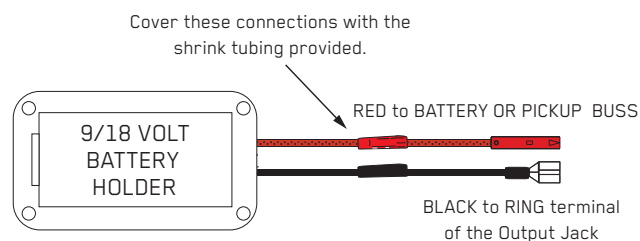


Diagram #10

+18 Volt Wiring Option:

If you want to operate your instrument at +18 Volts for more headroom then use 2 batteries wired as below. Also, if you are using any type of EQ in your instrument (EMG-BT, BQ) or anything that boosts the pickup signal then +18 Volts is recommended.

