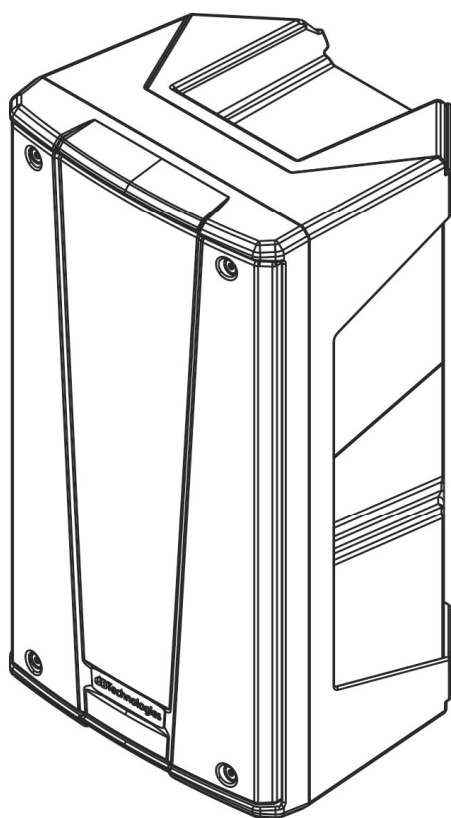


B·HYPE 12



MULTIFUNCTIONAL



PROCESSOR

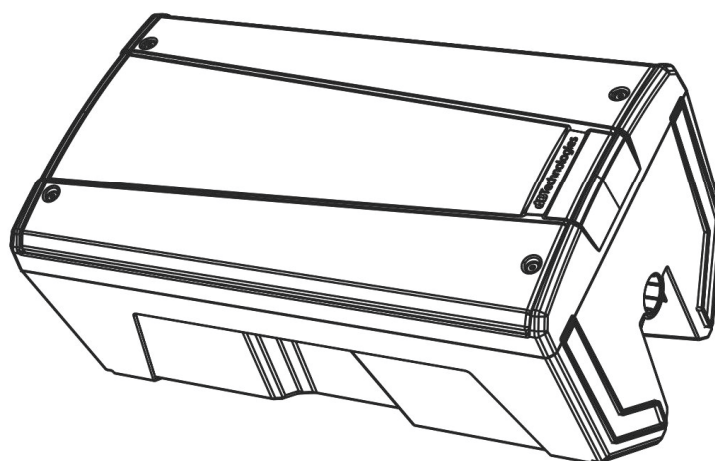


LIGHTWEIGHT



ASYMMETRICAL

HORN



Quick start user manual *Section 1*

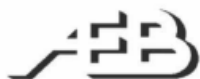
The warnings in this manual must be observed together with the "USER MANUAL - Section 2".

Le avvertenze nel presente manuale devono essere osservate congiuntamente al "MANUALE D'USO - Sezione 2".

Die Warnungen in diesem Handbuch müssen in Verbindung mit der "BEDIENUNGSANLEITUNG - Abschnitt 2" beobachtet werden".

Les avertissements spécifiés dans ce manuel doivent être respectés ainsi que les "CARACTERISTIQUES TECHNIQUES - Section 2".

Las advertencias del presente manual se deben tener en cuenta conjuntamente con las del "MANUAL DEL USUARIO" - Sección 2".



A.E.B. Industriale Srl Via Brodolini, 8 Località Crespellano 40053 VALSAMOGGIA BOLOGNA (ITALIA)
Tel +39 051 969870 Fax +39 051 969725 www.dbtechnologies.com info@dbtechnologies-aeb.com



Thank you for choosing a dBTechnologies Product!

The new B-HYPE 12 is a versatile active speaker. It is equipped with one 1" neodymium compression driver (1" voice coil), and one 12" woofer (2" voice coil). The dispersion pattern is asymmetrical on vertical axis, and it is diversified (top and bottom) on the horizontal one. This allows a narrower and more efficient sound coverage, and a better performance in case of reverberant environments. The combo input (with source type selection) allows an easy and versatile use, suitable for a dynamic microphone and standard line input. The user can enhance lower and upper frequencies with the convenient DSP preset function. A balanced link output allows the audio connection to a second loudspeaker.

Check the site www.dbtechnologies.com for the complete user manual!

1) Unpacking

The box contains:

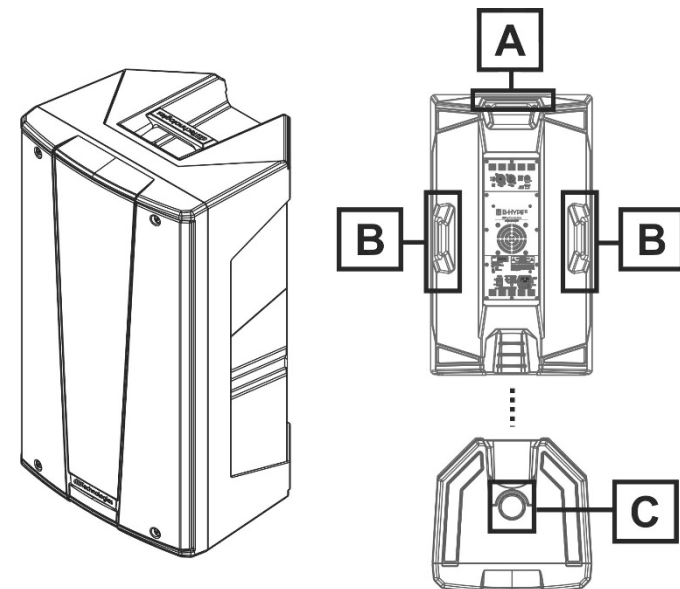
N°1 B-HYPE 12

N°1 Mains cable (VDE)

This quick start and warranty documentation

2) Easy installation

B-HYPE 12 is equipped with:

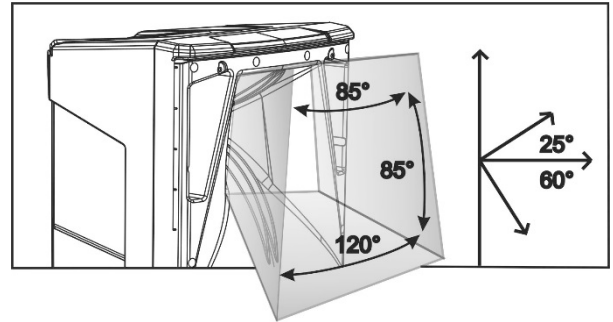


- A – Upper integrated handle
- B – Lateral integrated handles
- C – Pole mount hole



NEVER USE THE HANDLES TO SUSPEND THE SPEAKER!

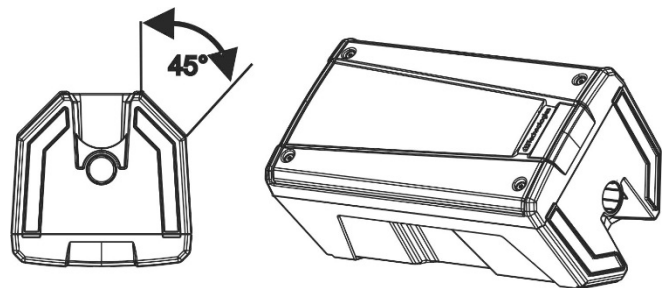
Those mechanical particulars were thought for an easy use and for different configuration needs. B-HYPE 12 is perfect for gigging bands as well as small venues installations. The 36 mm pole-mount predisposition is designed for the use on standard pole stand (like a tripod).



The acoustical design allows to face different environments. The dispersion pattern is asymmetrical on the vertical axis, and the horizontal coverage varies within position: It is wider in the lower side and narrow in the upper one.

As shown in the upper picture, the related dispersion pattern data are:

- a) vertical coverage: 85° asymmetrical (+25°/-60°)
- b) horizontal coverage: 85° in the upper part, 120° in the lower one



The rear side inclination, symmetrical, as shown in the upper picture, is 45°. The related wedge positioning is shown in the picture. B-HYPE can be used as a stage monitor in small contexts, in this case please consider the characteristic dispersion pattern presented above.

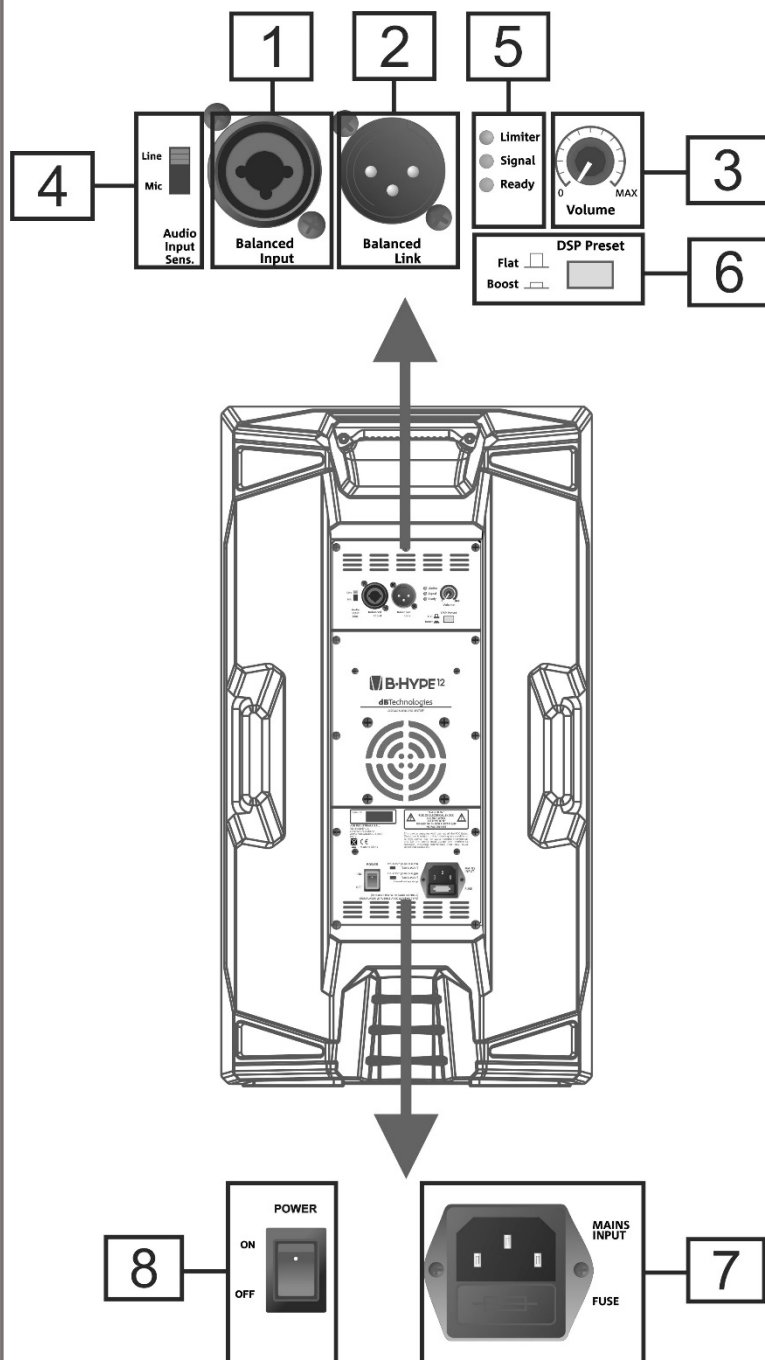


IT IS MANDATORY TO READ AND FULLY UNDERSTAND THE COMPLETE USER MANUAL FOR THE ADMITTED CONFIGURATIONS OF THE PRODUCT, SAFETY INFORMATION, AND THE PROPER USE OF ACCESSORIES (IF ANY).

3) Connections, controls, first turn on

All the connections and controls are in the amplifier panel side:

- 1-Combo Balanced Input (for XLR or TRS connectors)
- 2-Balanced Link output
- 3-Volume Control
- 4-Audio Input Sensitivity (Line/Mic)
- 5-LEDs (Limiter, Signal, Ready)
- 6-DSP Preset switch
- 7-VDE Mains Input (with related fuse)
- 8-Power switch (ON, OFF)



a) Connect the audio input (1). The combo connector allows a TRS or XLR connection. In case of a dynamic microphone, plug it and select “Mic” in the Audio input sensitivity switch (4). In the other cases check that the switch is set on “Line”. Put the level of Volume (3) to the maximum value “MAX”.

b) If you need to link B-HYPE 12 to another one, please use a cable with XLR connectors (not supplied). Connect the Link output (2) of the first, to the balanced Input (1) of the second one. In the second loudspeaker, please check that Audio Input Sensitivity (4) is set on “Line” position and that Volume (3) is set to “MAX” value.

c) Set properly the DSP preset switch (6), choosing between “Flat” and “Boost” configuration. Please note that “Flat” position does not affect the frequencies equalization, while “Boost” acts enhancing lower and upper frequencies.

d) Plug properly the mains VDE input cable (supplied) in the related input (7). Check that the audio source is set on the minimum level. Then switch the POWER switch (8) to “ON” position. Increase gradually the volume of the audio source to the desired level. The Ready LED (5) is steadily on, the Limiter LED shortly flashes, the Signal one starts blinking at the presence of audio signal.

Check the site www.dbtechnologies.com for further information, for added accessories and for the complete user manual!

Technical Data

Speaker Type: 2-way active speaker
Usable Bandwidth [-10 dB]: 55 - 20000 Hz
Frequency Response [-6 dB]: 61 - 19500 Hz
Max SPL (1 m): 126 dB
HF compression driver: 1 " Exit
HF voice coil: 1" (Neodymium)
LF: 12"
LF Voice Coil: 2"
Crossover frequency: 2100 Hz (24 dB/oct)
Horizontal dispersion: asymmetrical 85° up / 120° down
Vertical dispersion: 85° (+25° / -60°)

Amplifier

Amp Technology: Custom made
Amp Class: Class-D
RMS Power: 200 W

Operating voltage (factory set):

220-240V~ (50-60Hz) or
110-120V~ (50-60 Hz)

Processor and user interface

Controller: 28/56 bit - 48 kHz
Limiter: Peak, Thermal, RMS
Controls: Volume, Audio Input Sensitivity, DSP preset

Input / Output

Mains connections: VDE
Signal Input: (Balanced) 1x Combo IN (MIC/LINE)
Signal Out: (Balanced) 1x XLR OUT (LINK)

Mechanics

Housing: Polypropylene
Grille: Full metal grille
Pole Mount: Yes, 36 mm
Handles: 3 (2 on sides 1 on top)
Width: 350 mm (13.77 in)
Height: 645 mm (25.40 in)
Depth: 330 mm (12.99 in)
Weight: 13.9 kg (30.46 lbs.)



Scan with your QR Reader
App to download the
complete User Manual

POWER SUPPLY SPECIFICATIONS (POWER ABSORPTION)

Draw at 1/8 of full power in average use conditions (*): 0.42 A (230V) - 0.95 A (115 V)
Draw at 1/3 of full power in maximum use conditions (**): 0.85 A (230 V) - 1.8 A (115 V)
Power absorption with speaker turned on without signal (idle): 20 W

** INSTALLER NOTES: The values refer to 1/8 of full power, in average operating conditions (music program with infrequent or no clipping). It is recommended to consider them the minimum sizing values for any type of configuration.*
*** INSTALLER NOTES: The values refer to 1/3 of full power, in heavy operating conditions (music program with frequent clipping or activation of the limiter). We recommend sizing according to these values in case of professional installations and tours.*

Download the complete user manual from the site:
www.dbtechnologies.com/EN/Downloads.aspx

EMI CLASSIFICATION

According to the standards EN 55103 this equipment is designed and suitable to operate in E3 (or lower E2, E1) Electromagnetic environments.
FCC CLASS B STATEMENT ACCORDING TO TITLE 47, PART 15, SUBPART B, §15.105

This equipment has been tested and found to comply with the limits for a Class B digital device, pursuant to part 15 of the FCC Rules. These limits are designed to provide reasonable protection against harmful interference in a residential installation.

This equipment generates, uses and can radiate radio frequency energy and, if not installed and used in accordance with the instructions, may cause harmful interference to radio communications.

However, there is no guarantee that interference will not occur in a particular installation. If this equipment does cause harmful interference to radio or television reception, which can be determined by turning the equipment off and on, the user is encouraged to try to correct the interference by one or more of the following measures:

1. Reorient or relocate the receiving antenna.
2. Increase the separation between the equipment and receiver.
3. Connect the equipment into an outlet on a circuit different from that to which the receiver is connected.
4. Consult the dealer or an experienced radio/TV technician for help.

Changes or modifications not expressly approved by the party responsible for compliance could void the user's authority to operate the equipment.

WARNING: Make sure that the loudspeaker is securely installed in a stable position to avoid any injuries or damages to persons or properties. For safety reasons do not place one loudspeaker on top of another without proper fastening systems. Before hanging the loudspeaker check all the components for damages, deformations, missing or damaged parts that may compromise safety during installation. If you use the loudspeakers outdoor avoid spots exposed to bad weather conditions.

Contact dB Technologies for accessories to be used with speakers. dBTechnologies will not accept any responsibility for damages caused by inappropriate accessories or additional devices.

Features, specification and appearance of products are subject to change without notice.

dBTechnologies reserves the right to make changes or improvements in design or manufacturing without assuming any obligation to change or improve products previously manufactured.